

# Milwaukee®

Nothing but **HEAVY DUTY**®



## M12 BPS

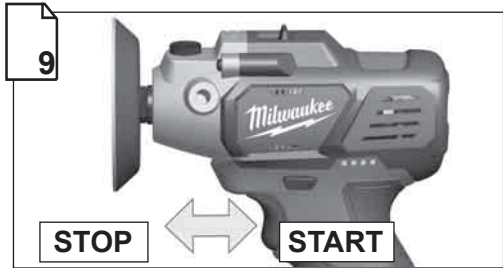
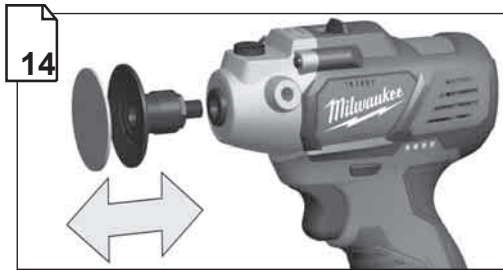
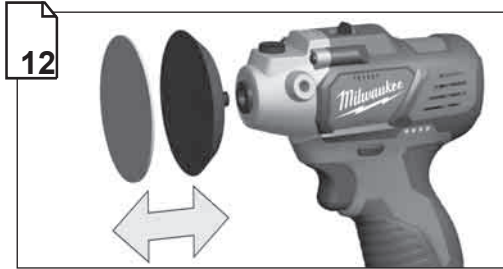
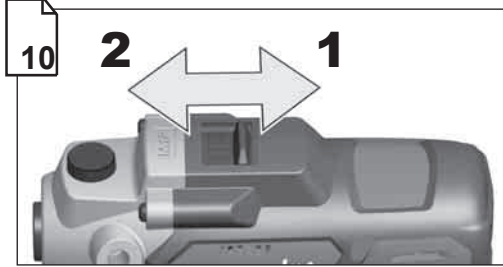
Original instructions  
Originalbetriebsanleitung  
Notice originale  
Istruzioni originali  
Manual original  
Oorspronkelijke  
gebruiksaanwijzing  
Original brugsanvisning  
Original bruksanvisning  
Bruksanvisning i original  
Alkuperäiset ohjeet

Πρωτότυπο οδηγιών χρήσης  
Orijinal işletme talimatı  
Původním návodem k  
používání  
Pôvodný návod na použitie  
Instrukcją oryginalną  
Eredeti használati utasítás  
Izvirna navodila  
Originalne pogonske upute  
Instrukcijām oriģinālvadā  
Originali instrukcija

Algupärane kasutusjuhend  
Оригинальное руководство  
по эксплуатации  
Оригинално ръководство за  
експлоатация  
Instrucțiuni de folosire  
originale  
Оригинален прирачник за  
работа  
Оригінал інструкції з  
експлуатації  
التعليمات الأصلية

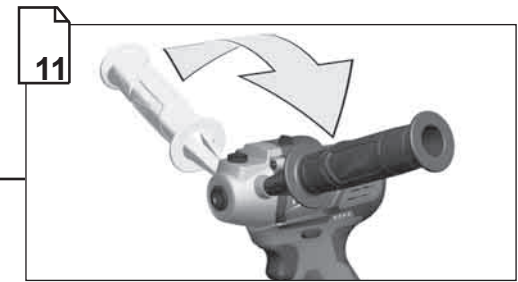
<b>ENGLISH</b>		Picture section with operating description and functional description	<b>4</b>
<b>DEUTSCH</b>		Bildteil mit Anwendungs- und Funktionsbeschreibungen	<b>4</b>
<b>FRANÇAIS</b>		Partie imagée avec description des applications et des fonctions	<b>4</b>
<b>ITALIANO</b>		Sezione illustrata con descrizione dell'applicazione e delle funzioni	<b>4</b>
<b>ESPAÑOL</b>		Sección de ilustraciones con descripción de aplicación y descripción funcional	<b>4</b>
<b>PORTUGUES</b>		Parte com imagens explicativas contendo descrição operacional e funcional	<b>4</b>
<b>NEDERLANDS</b>		Beelddedeelte met toepassings- en functiebeschrijvingen	<b>4</b>
<b>DANSK</b>		Billedel med anvendelses- og funktionsbeskrivelser	<b>4</b>
<b>NORSK</b>		Billedel med bruks- og funksjonsbeskrivelse	<b>4</b>
<b>SVENSKA</b>		Bilddel med användnings- och funktionsbeskrivning	<b>4</b>
<b>SUOMI</b>		Kuvasivut käyttö- ja toimintakuvaukset	<b>4</b>
<b>ΕΛΛΗΝΙΚΑ</b>		Τμήμα εικόνων με περιγραφές χρήσης και λειτουργίας	<b>4</b>
<b>TÜRKÇE</b>		Resim bölümü Uygulama ve fonksiyon açıklamaları ile birlikte	<b>4</b>
<b>ČESKY</b>		Obrazová část s popisem aplikací a funkcí	<b>4</b>
<b>SLOVENSKY</b>		Obrazová část s popisom aplikácií a funkcií	<b>4</b>
<b>POLSKI</b>		Część rysunkowa z opisami zastosowania i działania	<b>4</b>
<b>MAGYAR</b>		Képes részalkalmazási- és működési leírásokkal	<b>4</b>
<b>SLOVENSKO</b>		Del slike z opisom uporabe in funkcij	<b>4</b>
<b>HRVATSKI</b>		Dio sa slikama opisima primjene i funkcija	<b>4</b>
<b>LATVISKI</b>		Attēla daļa ar lietošanas un funkciju aprakstiem	<b>4</b>
<b>LIETUVIŠKAI</b>		Paveikslėlio dalis su vartojimo instrukcija ir funkcijų aprašymais	<b>4</b>
<b>EESTI</b>		Pildiosa kasutusjuhendi ja funktsioonide kirjeldusega	<b>4</b>
<b>РУССКИЙ</b>		Раздел иллюстраций с описанием эксплуатации и функций	<b>4</b>
<b>БЪЛГАРСКИ</b>		Част със снимки с описание за приложение и функции	<b>4</b>
<b>ROMÂNIA</b>		Secvența de imagine cu descrierea utilizării și a funcționării	<b>4</b>
<b>МАКЕДОНСКИ</b>		Дел со слики со описи за употреба и функционирање	<b>4</b>
<b>УКРАЇНСЬКА</b>		Частина з зображеннями з описом робіт та функцій	<b>4</b>
<b>عربي</b>		قسم الصور يوجد به الوصف التشغيلي والوظيفي	<b>4</b>

Text section with Technical Data, important Safety and Working Hints and description of Symbols	<b>18</b>
Textteil mit Technischen Daten, wichtigen Sicherheits- und Arbeitshinweisen und Erklärung der Symbole.	<b>21</b>
Partie textuelle avec les données techniques, les consignes importantes de sécurité et de travail ainsi que l'explication des pictogrammes.	<b>24</b>
Sezione testo con dati tecnici, importanti informazioni sulla sicurezza e sull'utilizzo, spiegazione dei simboli.	<b>27</b>
Sección de texto con datos técnicos, indicaciones importantes de seguridad y trabajo y explicación de los símbolos.	<b>30</b>
Parte com texto explicativo contendo Especificações técnicas, Avisos de segurança e de operação e a Descrição dos símbolos.	<b>33</b>
Tekstgedeelte met technische gegevens, belangrijke veiligheids- en arbeidsinstructies en verklaring van de symbolen.	<b>36</b>
Tekstdel med tekniske data, vigtige sikkerheds- og arbejdsanvisninger og symbolforklaring.	<b>39</b>
Tekstdel med tekniske data, viktige sikkerhets- og arbeidsinstruksjoner og forklaring av symbolene.	<b>42</b>
Tekstdel med tekniska informationer, viktiga säkerhets- och användningsinstruktioner samt symbolförklaringar.	<b>45</b>
Tekstisivut: tekniset tiedot, tärkeät turvallisuus- ja työskentelyohjeet sekä merkien selitykset.	<b>48</b>
Τμήμα κειμένου με τεχνικά χαρακτηριστικά, σημαντικές υποδείξεις ασφαλείας και εργασίας και εξήγηση των συμβόλων.	<b>51</b>
Teknik bilgileri, önemli güvenlik ve çalışma açıklamalarını ve de sembollerin açıklamalarını içeren metin bölümü.	<b>54</b>
Textová část s technickými daty, důležitými bezpečnostními a pracovními pokyny a s vysvětlivkami symbolů	<b>57</b>
Textová část s technickými datami, důležitými bezpečnostními a pracovními pokyny a s vysvětlivkami symbolov	<b>60</b>
Część opisowa z danymi technicznymi, ważnymi wskazówkami dotyczącymi bezpieczeństwa i pracy oraz objaśnieniami symboli.	<b>63</b>
Szöveges rész műszaki adatokkal, fontos biztonsági- és munkavégzési útmutatásokkal, valamint a szimbólumok magyarázata.	<b>66</b>
Del besedila s tehničnimi podatki, pomembnimi varnostnimi opozorili in delovnimi navodili in pojasnili simbolov.	<b>69</b>
Dio štiva sa tehničkim podacima, važnim sigurnosnim i radnim uputama i objašnjenjem simbola.	<b>72</b>
Teksta daļa ar tehnikajiem parametriem, svarīgiem drošības un darbības norādījumiem, simbolu atšifrējumiem.	<b>75</b>
Teksto dalis su techniniais duomenimis, svarbiomis saugumo ir darbo instrukcijomis bei simbolių paaiškinimais.	<b>78</b>
Tekstiosa tehniliste näitajate, oluliste ohutus- ja tööjuhenditega ning sümbolite kirjeldustega.	<b>81</b>
Текстовый раздел, включающий технические данные, важные рекомендации по безопасности и эксплуатации, а также описание используемых символов.	<b>84</b>
Част с текст с технически данни, важни указания за безопасност и работа и разяснение на символите.	<b>87</b>
Porțiune de text cu date tehnice, indicații importante privind siguranța și modul de lucru și descrierea simbolurilor.	<b>90</b>
Текстуален дел со Технички карактеристики, важни безбедносни и работни упатства и објаснување на симболите.	<b>93</b>
Текстова частина з техничними даними, важливими вказівками з техніки безпеки та експлуатації і поясненням символів.	<b>96</b>
القسم النصي المزود بالبيانات الفنية والنصائح الهامة للسلامة والعمل ووصف الرموز	<b>103</b>



Remove the battery pack before starting any work on the machine.  
 Vor allen Arbeiten an der Maschine den Wechselakku herausnehmen.  
 Avant tous travaux sur la machine retirer l'acco interchangeable.  
 Prima di iniziare togliere la batteria dalla macchina.  
 Retire la batería antes de comenzar cualquier trabajo en la máquina.  
 Antes de efectuar cualquier intervención en la máquina retirar o bloco acumulador.  
 Voor alle werkzaamheden aan de machine de akku verwijderen.  
 Ved arbejde inden i maskinen, bør batteriet tages ud.  
 Ta ut vechselbatteriet før du arbeider på maskinen.  
 Drag ur batteripaket innan arbete utföres på maskinen.  
 Ota akku pois ennen kaikkia koneeseen tehtäviä toimenpiteitä.  
 Πριν από κάθε εργασία στη μηχανή αφαιρέστε την ανταλλακτική μπαταρία.  
 Aletin kendingde bir çalışma yapmadan önce kartuş aküyü çıkarın.  
 Před zahájením veškerých prací na vrtacím šroubováku vyjmout výměnný akumulátor.  
 Pred každou pracou na stroji výmenný akumulátor vyťahnuť.

Przed przystąpieniem do jakichkolwiek prac na elektronarzędziu należy wyjąć wkładkę akumulatorową.  
 Karbantartás, javítás, tisztítás, stb. előtt az akkumulátort ki kell venni a készülékből.  
 Pred deli na stroju izvlecite izmenljivi akumulator.  
 Prije svih radova na stroju izvaditi bateriju za zamjenu.  
 Pirms mašīnai veikt jebkāda veida apkopes darbus, ir jāizņem ārā akumulators.  
 Prieš atikdami bet kokius darbus įrenginyje, išimkite keičiamą akumuliatorių.  
 Enne kõiki töid masina kallal võtke vahetatav aku välja.  
 Wynęte akumulatoryz iz maszyny przed prowadzeniem z ney kakix-lybo manipulacyj.  
 Преди започване на каквото е да е работи по машината извадете акумулатора.  
 İndepărtați acumulatorul înainte de începerea lucrului pe mașina.  
 Отстранете ја батеријата пред да започнете да ја користите машината.  
 Перед будь-якими роботами на машині виняти змінну акумуляторну батарею.  
 تم إزالة حزمة البطارية قبل البدء في أي أعمال على الجهاز.





Remove the battery pack before starting any work on the machine.

Vor allen Arbeiten an der Maschine den Wechselakku herausnehmen

Avant tous travaux sur la machine retirer l'accu interchangeable.

Prima di iniziare togliere la batteria dalla macchina.

Retire la batería antes de comenzar cualquier trabajo en la máquina.

Antes de efectuar cualquier intervención na máquina retirar o bloco acumulador.

Voor alle werkzaamheden aan de machine de akku verwijderen.

Ved arbejde inden i maskinen, bør batteriet tages ud.

Ta ut vekselbatteriet før du arbeider på maskinen

Drag ur batteripaket innan arbete utföres på maskinen.

Ota akku pois ennen kaikkia koneeseen tehtäviä toimenpiteitä.

Πριν από κάθε εργασία στη μηχανή αφαιρέστε την ανταλλακτική μπαταρία.

Aletin kendingde bir çalışma yapmadan önce kartuş aküyü çıkarın.

Před zahájením veškerých prací na vrtacím šroubováků vyjmout výměnný akumulátor.

Pred každou prácou na stroji výmenný akumulátor vytiahnuť.

Przed przystąpieniem do jakichkolwiek prac na elektronarzędziu należy wyjąć wkładkę akumulatorową.

Karbantartás, javítás, tisztítás, stb. előtt az akkumulátort ki kell venni a készülőkből.

Pred deli na stroju izvlecite izmenljivi akumulator.

Prije svih radova na stroju izvaditi bateriju za zamjenu.

Pirms mašīnai veikt jebkāda veida apkopes darbus, ir jāizņem arī akumulators.

Prieš atlikdami bet kokius darbus įrenginyje, išimkite keičiamą akumuliatorių.

Enne kõiki töid masina kallal võtke vahetatav aku välja.

Виньте аккумулятор из машины перед проведением с ней каких-либо манипуляций.

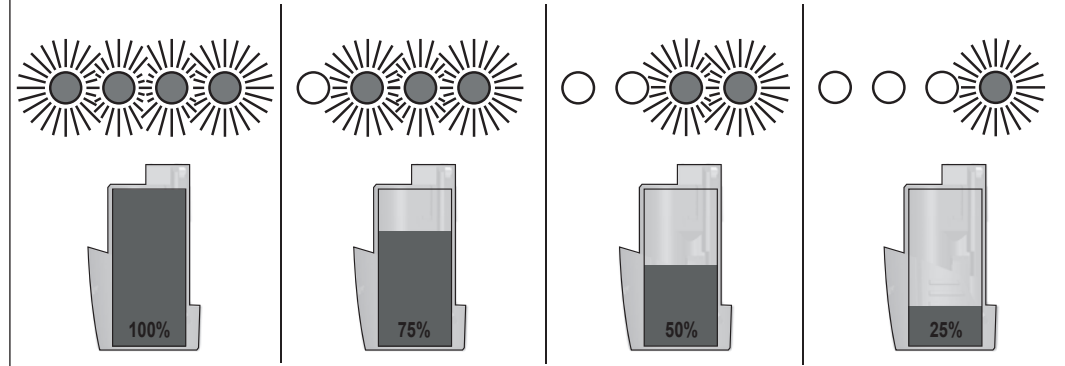
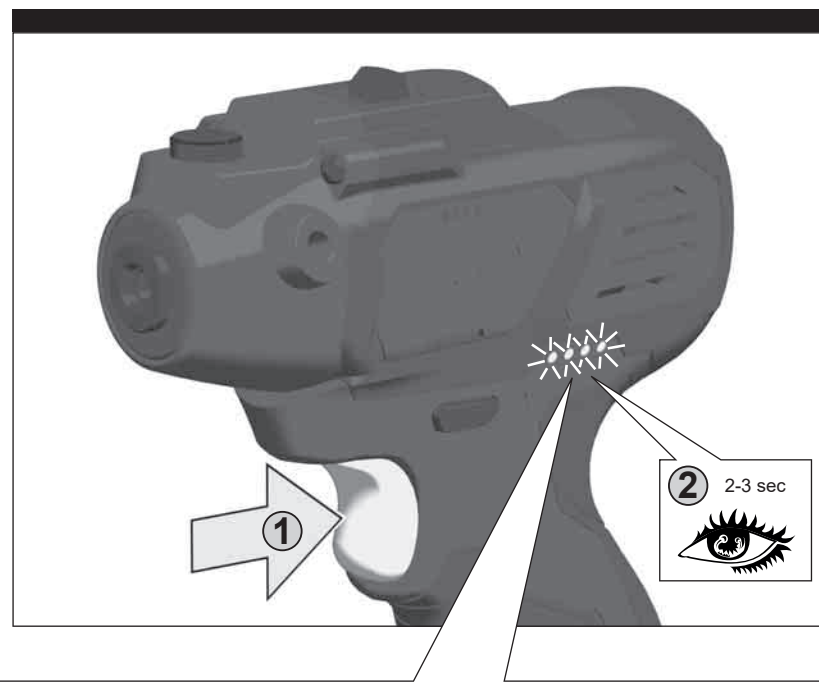
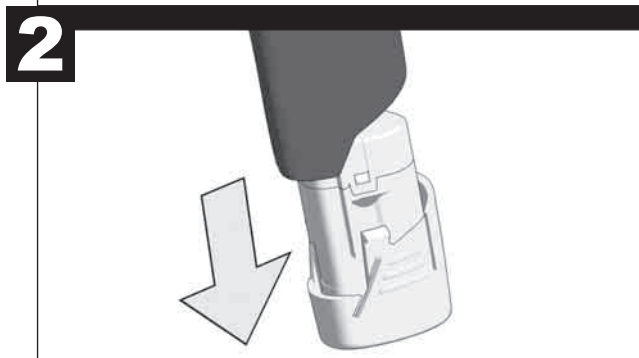
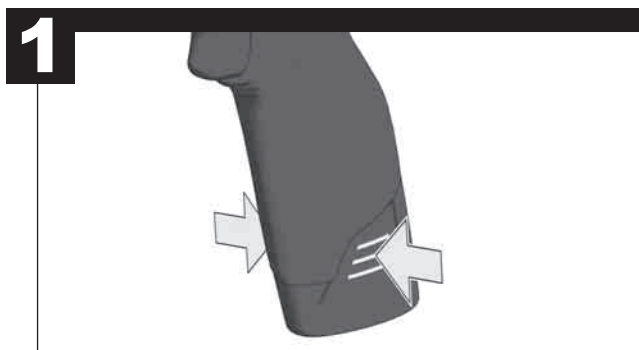
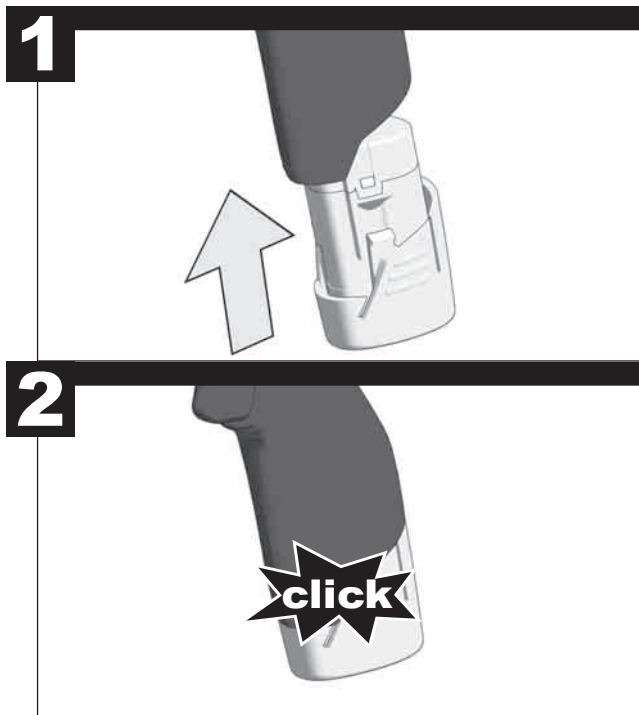
Преди започване на каквито е да е работи по машината извадете акумулатора.

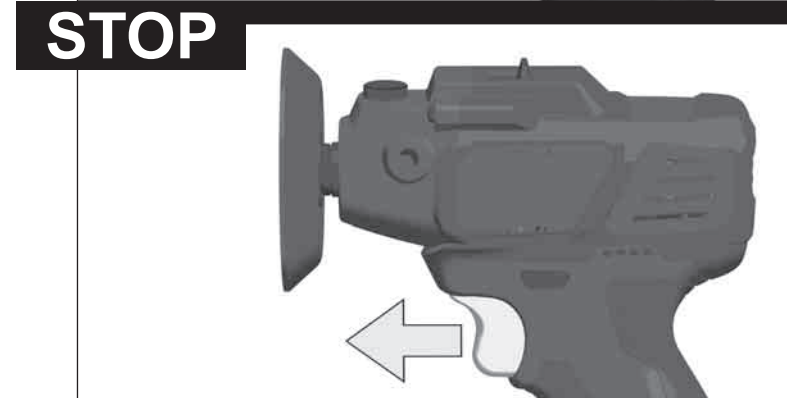
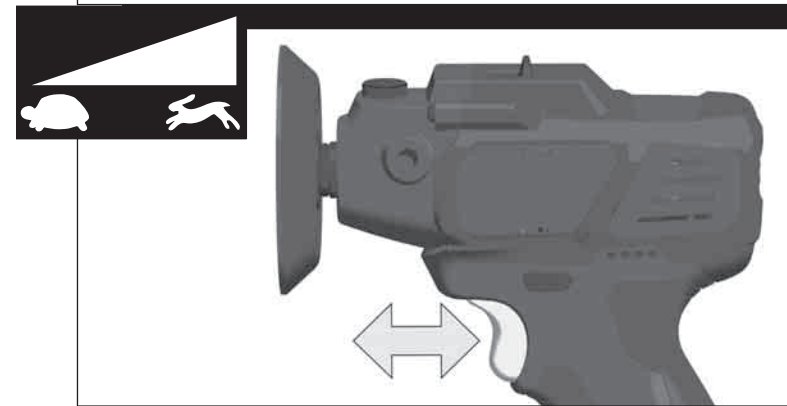
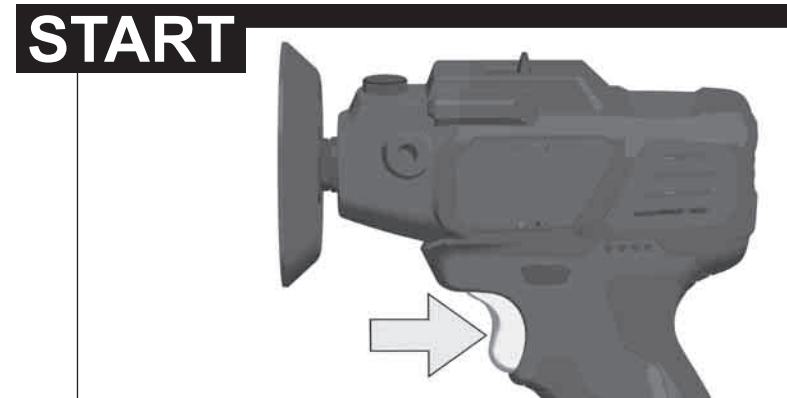
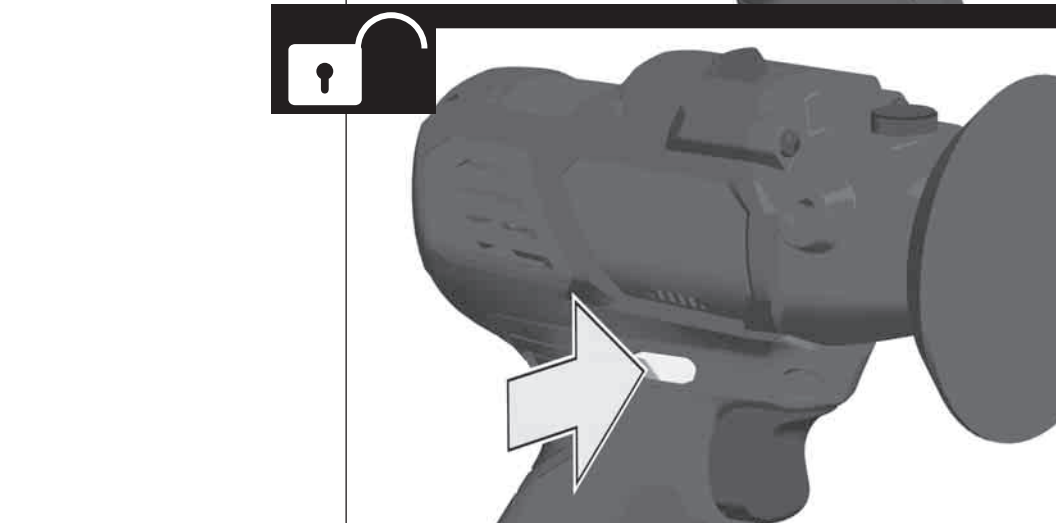
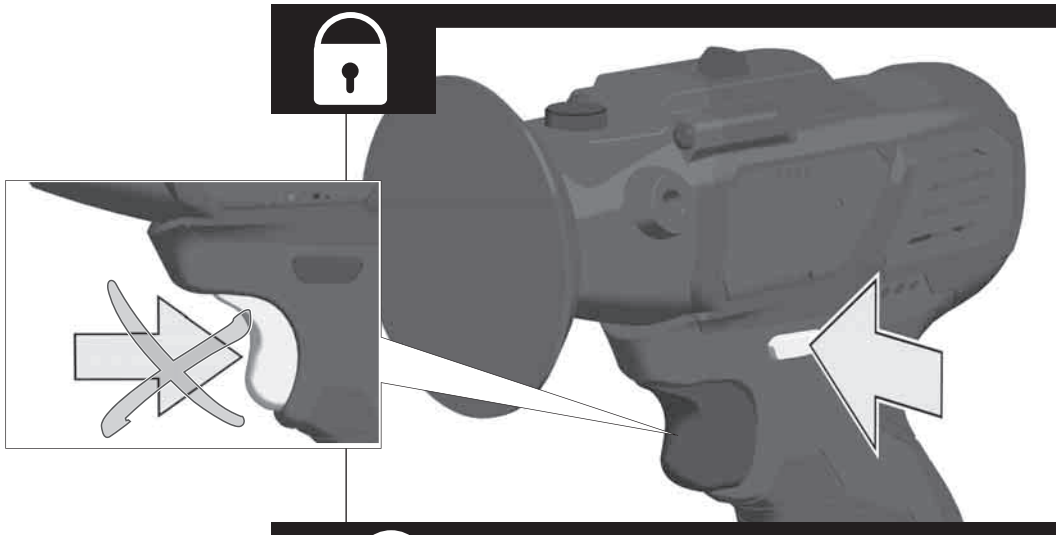
Scoateți acumulatorul înainte de a începe orice intervenție pe mașină.

Отстранете ја батеријата пред да започнете да ја користите машината.

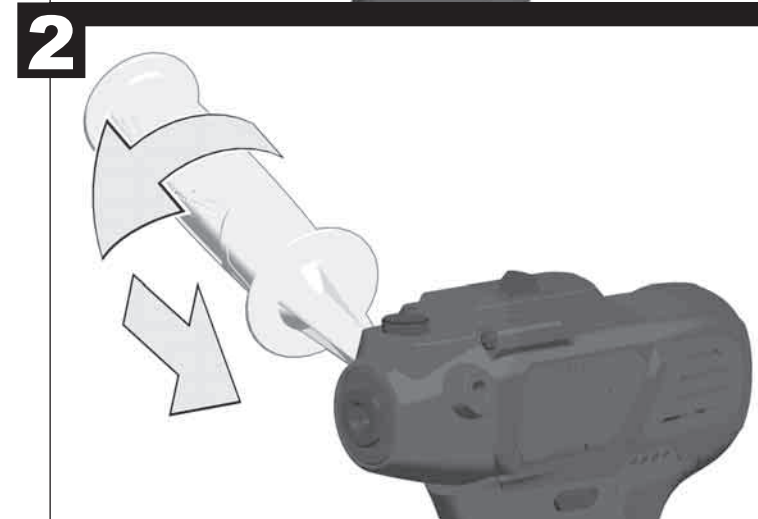
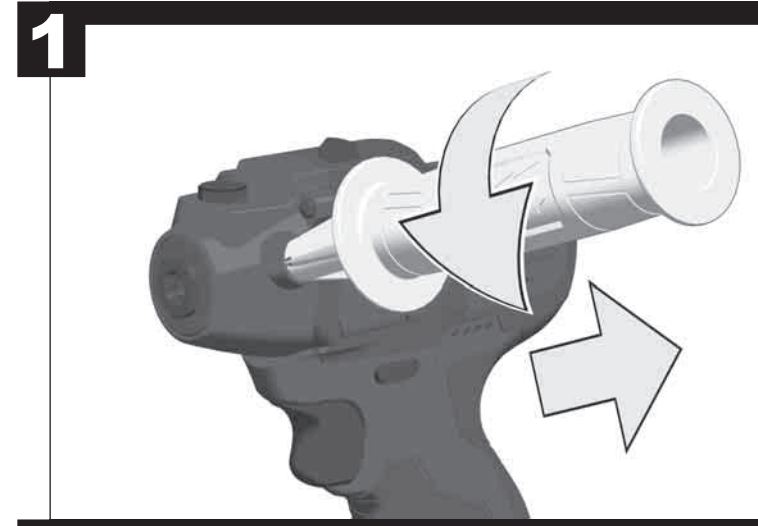
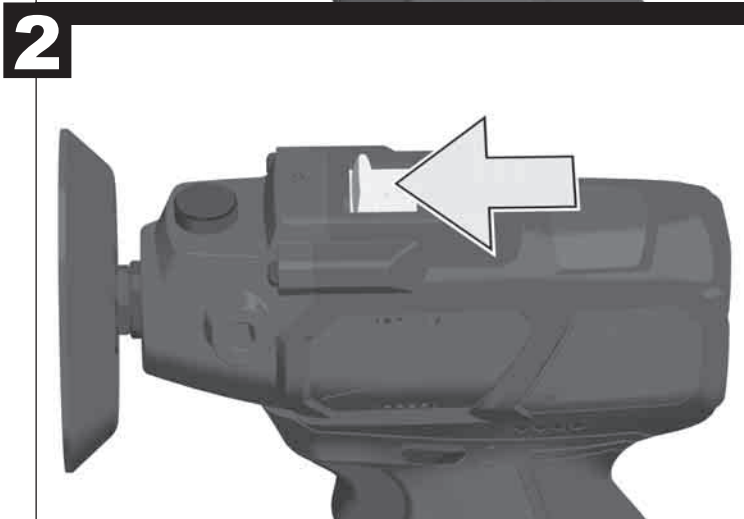
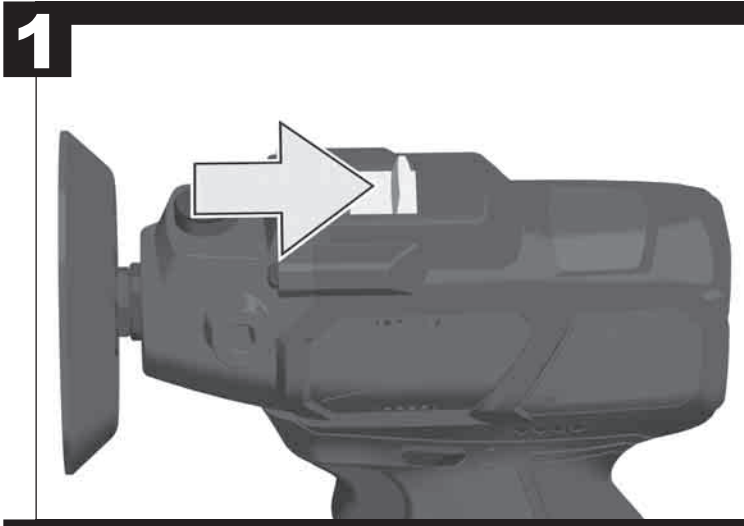
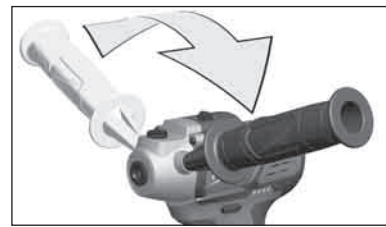
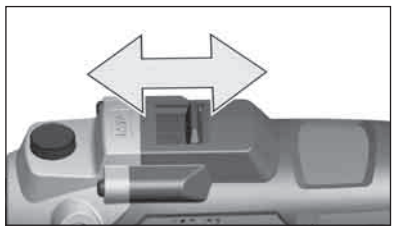
Перед будь-якими роботами на машині ви́няти змі́нну акумулаторну батарею.

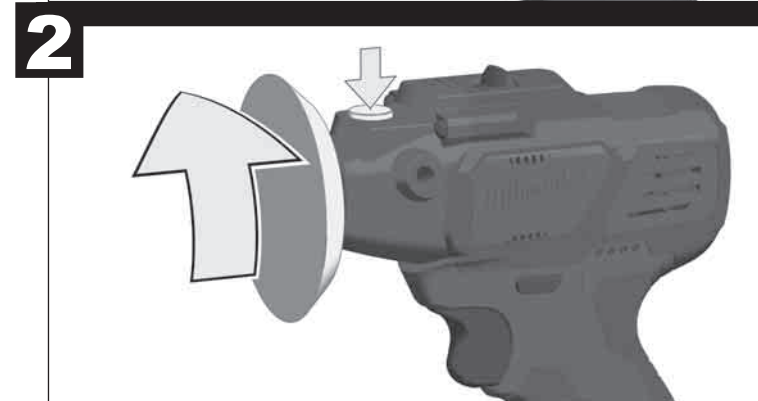
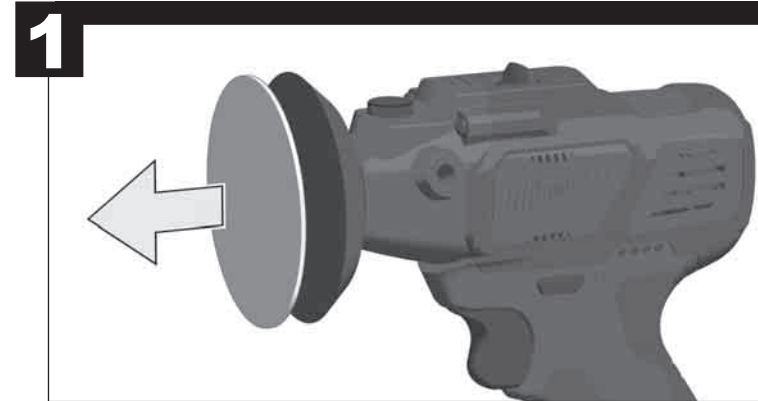
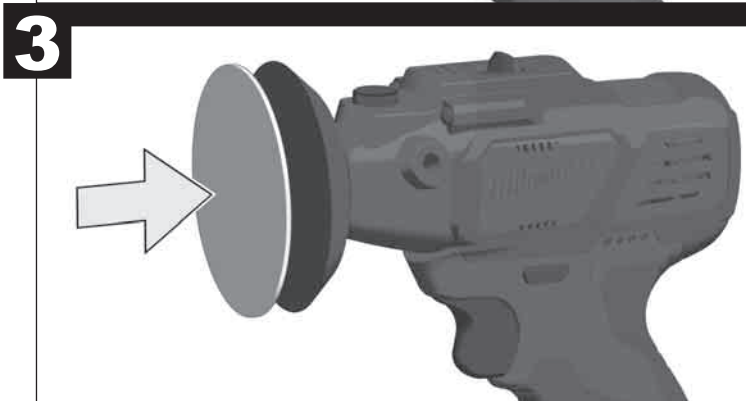
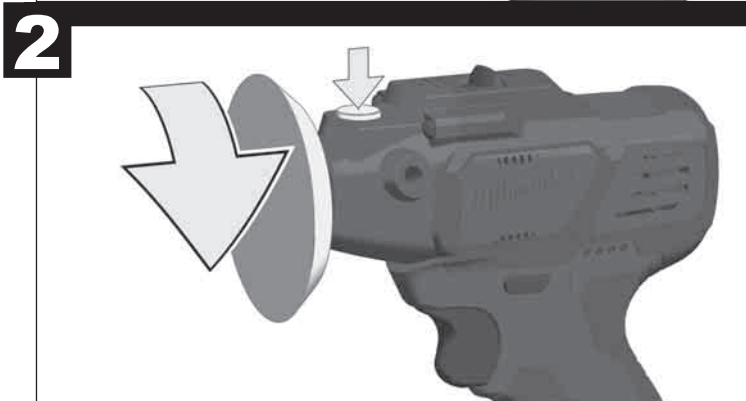
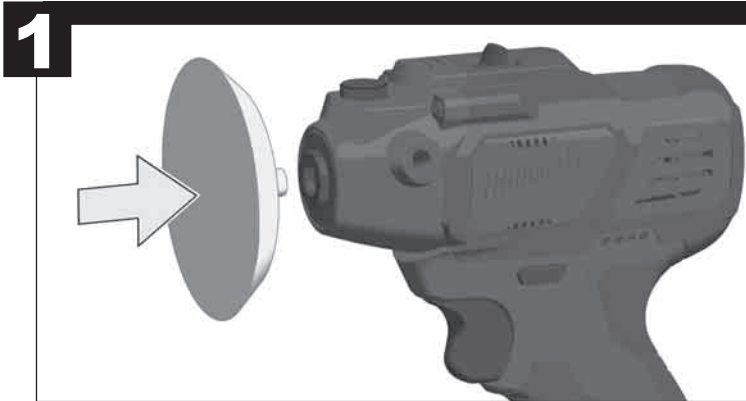
قم بإزالة حزمة البطارية قبل البدء في أي أعمال على الجهاز.

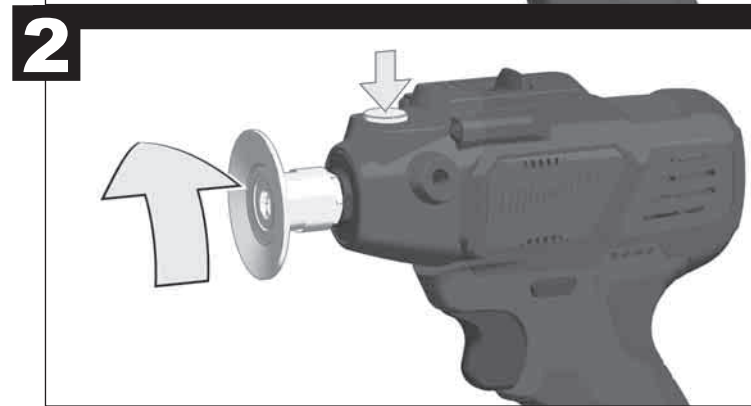
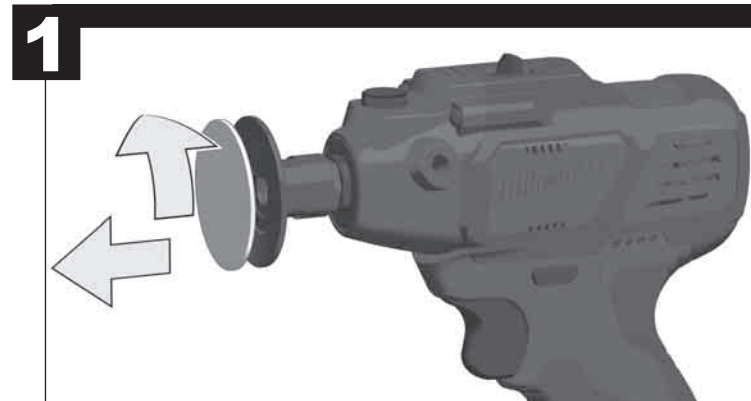
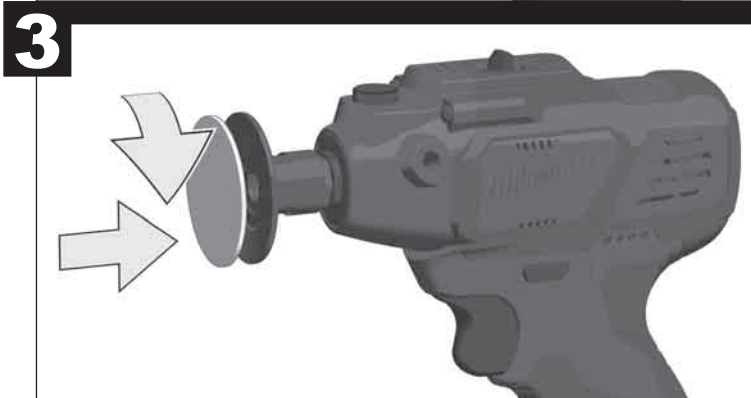
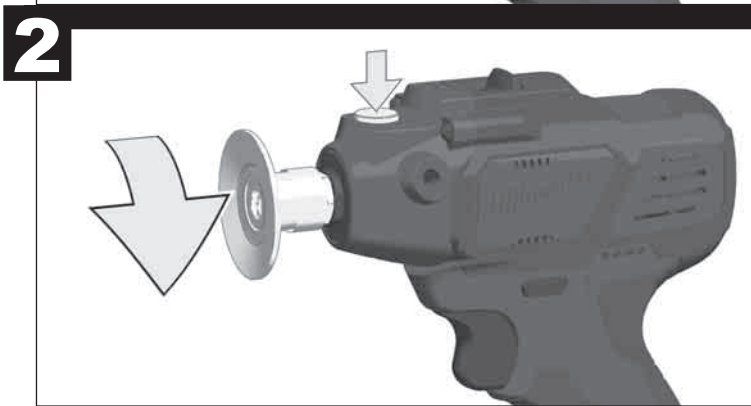
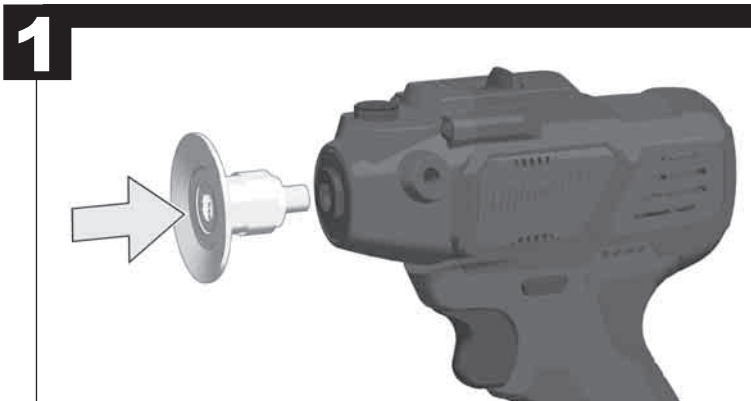




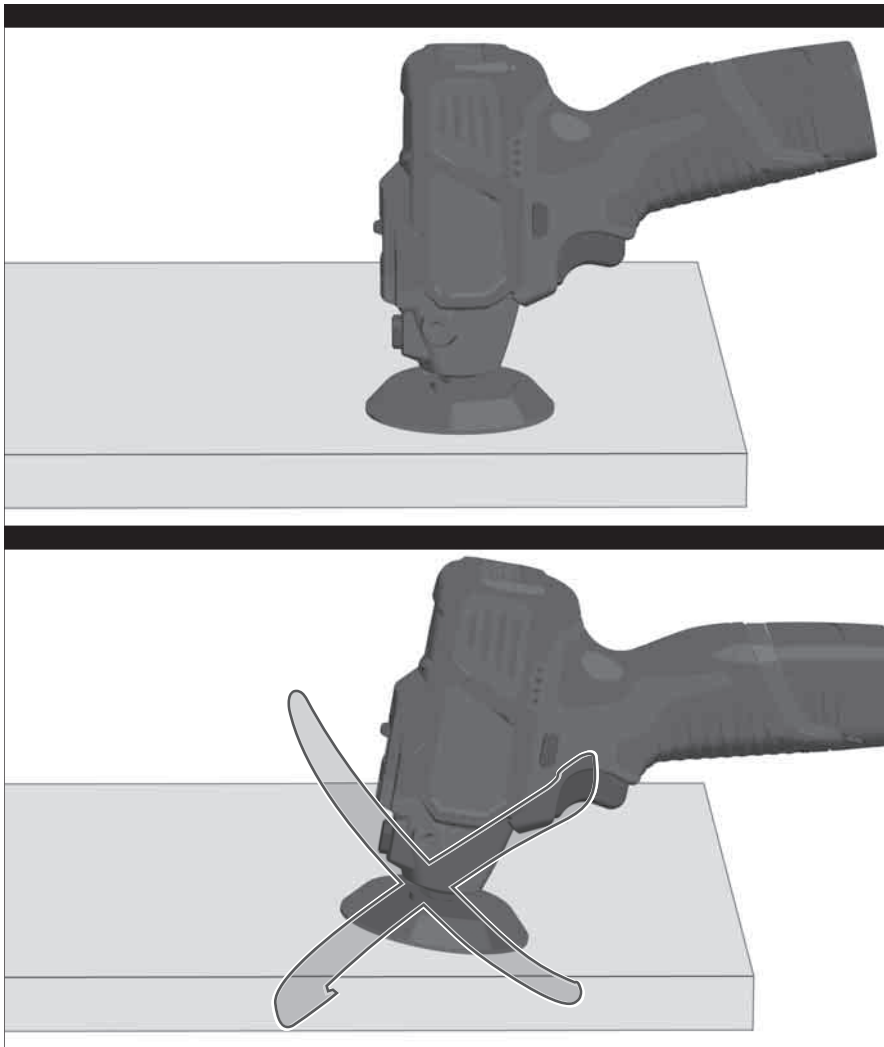












TECHNICAL DATA	M12 BPS
<b>Sander/Polisher</b>	
Production code	4477 93 03... ...000001-999999
Battery voltage	12 V
Rated speed, 1st gear	0-2800 min <sup>-1</sup>
Rated speed, 2nd gear	0-8300 min <sup>-1</sup>
Polishing disk diameter	76 mm
Sanding disk diameter	51 mm
Thread of work spindle	M9x0,75
Weight according EPTA-Procedure 01/2003 (2.0 Ah)	1,0 kg
Weight according EPTA-Procedure 01/2003 (4.0 Ah)	1,2 kg
<b>Noise/Vibration Information</b> Measured values determined according to EN 60 745. Typically, the A-weighted noise levels of the tool are: Sound pressure level (Uncertainty K=3dB(A)) Sound power level (Uncertainty K=3dB(A))	68,24 dB(A) 79,20 dB(A)
<b>Wear ear protectors!</b> Vibration total values (triaxial vector sum) determined according to EN 60745. Polishing: Vibration emission value a <sub>h, p</sub> Uncertainty K	2,95 m/s <sup>2</sup> 1,83 m/s <sup>2</sup>
Sanding Vibration emission value a <sub>h, DS</sub> Uncertainty K	2,3 m/s <sup>2</sup> 1,5 m/s <sup>2</sup>

## WARNING

The vibration emission level given in this information sheet has been measured in accordance with a standardised test given in EN 60745 and may be used to compare one tool with another. It may be used for a preliminary assessment of exposure.

The declared vibration emission level represents the main applications of the tool. However if the tool is used for different applications, with different accessories or poorly maintained, the vibration emission may differ. This may significantly increase the exposure level over the total working period.

An estimation of the level of exposure to vibration should also take into account the times when the tool is switched off or when it is running but not actually doing the job. This may significantly reduce the exposure level over the total working period.

Identify additional safety measures to protect the operator from the effects of vibration such as: maintain the tool and the accessories, keep the hands warm, organisation of work patterns

**⚠ WARNING! Read all safety warnings and all instructions.** Failure to follow the warnings and instructions may result in electric shock, fire and/or serious injury. **Save all warnings and instructions for future reference.**

## ⚠ POLISHER/SANDER SAFETY WARNINGS

### Safety Warnings common for Polishing and Sanding Operations:

**a) This power tool is intended to function as a polisher or sander. Read all safety warnings, instructions, illustrations and specifications provided with this power tool.** Failure to follow all instructions listed below may result in electric shock, fire and/or serious injury.

**b) Operations as abrasive and rough grinding, and working with wire brushes are not recommended to be performed with this power tool.** Operations for which the power tool was not designed may create a hazard and cause personal injury.

**c) Do not use accessories which are not specifically designed and recommended by the tool manufacturer.** Just because the accessory can be attached to your power tool, it does not assure safe operation.

**d) The rated speed of the accessory must be at least equal to the maximum speed marked on the power tool.** Accessories running faster than their rated speed can break and fly apart.

**e) The outside diameter and the thickness of your accessory must be within the capacity rating of your**

**power tool.** Incorrectly sized accessories cannot be adequately guarded or controlled.

**f) Threaded mounting of accessories must match the GRINDER spindle thread. For accessories mounted by FLANGES, the arbour hole of the accessory must fit the locating diameter of the FLANGE.** Accessories that do not match the mounting hardware of the power tool will run out of balance, vibrate excessively and may cause loss of control.

**g) Do not use a damaged accessory. Before each use inspect the accessory such as abrasive wheels for chips and cracks, backing pad for cracks, tear or excess wear, wire brush for loose or cracked wires. If power tool or accessory is dropped, inspect for damage or install an undamaged accessory. After inspecting and installing an accessory, position yourself and bystanders away from the plane of the rotating accessory and run the power tool at maximum no-load speed for one minute.** Damaged accessories will normally break apart during this test time.

**h) Wear personal protective equipment. Depending on application, use face shield, safety goggles or safety glasses. As appropriate, wear dust mask, hearing protectors, gloves and shop apron capable of stopping small abrasive or workpiece fragments.** The eye protection must be capable of stopping flying debris generated by various operations. The dust mask or respirator must be capable of filtering particles generated by your operation. Prolonged exposure to high intensity noise may cause hearing loss.

**i) Keep bystanders a safe distance away from work area. Anyone entering the work area must wear personal protective equipment.** Fragments of workpiece or of a broken accessory may fly away and cause injury beyond immediate area of operation.

**j) Hold the power tool by insulated gripping surfaces only, when performing an operation where the cutting accessory may contact hidden wiring.** Cutting accessory contacting a "live" wire may make exposed metal parts of the power tool "live" and could give the operator an electric shock.

**k) Never lay the power tool down until the accessory has come to a complete stop.** The spinning accessory may grab the surface and pull the power tool out of your control.

**l) Do not run the power tool while carrying it at your side.** Accidental contact with the spinning accessory could snag your clothing, pulling the accessory into your body.

**m) Regularly clean the power tool's air vents.** The motor's fan will draw the dust inside the housing and excessive accumulation of powdered metal may cause electrical hazards.

**n) Do not operate the power tool near flammable materials.** Sparks could ignite these materials.

**o) Do not use accessories that require liquid coolants.** Using water or other liquid coolants may result in electrocution or shock.

## Kickback and Related Warnings

Kickback is a sudden reaction to a pinched or snagged rotating wheel, backing pad, brush or any other accessory. Pinching or snagging causes rapid stalling of the rotating accessory which in turn causes the uncontrolled power tool to be forced in the direction opposite of the accessory's rotation at the point of the binding.

For example, if an abrasive wheel is snagged or pinched by the workpiece, the edge of the wheel that is entering into the pinch point can dig into the surface of the material causing the wheel to climb out or kick out. The wheel may either jump toward or away from the operator, depending on direction of the wheel's movement at the point of pinching. Abrasive wheels may also break under these conditions.

Kickback is the result of power tool misuse and/or incorrect operating procedures or conditions and can be avoided by taking proper precautions as given below.

**a) Maintain a firm grip on the power tool and position your body and arm to allow you to resist kickback forces. Always use auxiliary handle, if provided, for maximum control over kickback or torque reaction during start-up.** The operator can control torque reactions or kickback forces, if proper precautions are taken.

**b) Never place your hand near the rotating accessory.** Accessory may kickback over your hand.

**c) Do not position your body in the area where power tool will move if kickback occurs.** Kickback will propel the tool in direction opposite to the wheel's movement at the point of snagging.

**d) Use special care when working corners, sharp edges etc. Avoid bouncing and snagging the accessory.** Corners, sharp edges or bouncing have a tendency to snag the rotating accessory and cause loss of control or kickback.

**e) Do not attach a saw chain, woodcarving blade or toothed saw blade.** Such blades create frequent kickback and loss of control.

## Safety Warnings Specific for Polishing Operations:

**a) Do not allow any loose portion of the polishing bonnet or its attachment strings to spin freely. Tuck away or trim any loose attachment strings.** Loose and spinning attachment strings can entangle your fingers or snag on the workpiece.

## Safety Warnings Specific for Sanding Operations:

**a) Do not use excessively oversized sanding disc paper. Follow manufacturers recommendations, when selecting sanding paper.** Larger sanding paper extending beyond the sanding pad presents a laceration hazard and may cause snagging, tearing of the disc or kickback.

## Additional Safety and Working Instructions

When grinding metal, flying sparks are produced. Take care that no persons are endangered. Because of the danger of fire, no combustible materials should be located in the vicinity (spark flight zone). Do not use dust extraction.

Avoid flying sparks and sanding dust hit your body.

Never reach into the danger area of the machine when it is running.

Immediately switch off the machine in case of considerable vibrations or if other malfunctions occur. Check the machine in order to find out the cause.

Sawdust and splinters must not be removed while the machine is running.

Do not dispose of used battery packs in the household refuse or by burning them. Milwaukee Distributors offer to retrieve old batteries to protect our environment.

Do not store the battery pack together with metal objects (short circuit risk).

Use only System C 12 chargers for charging System C 12 battery packs. Do not use battery packs from other systems.

Never break open battery packs and chargers and store only in dry rooms. Keep dry at all times.

Battery acid may leak from damaged batteries under extreme load or extreme temperatures. In case of contact with battery acid wash it off immediately with soap and water. In case of eye contact rinse thoroughly for at least 10 minutes and immediately seek medical attention.

**Warning!** To reduce the risk of fire, personal injury, and product damage due to a short circuit, never immerse your tool, battery pack or charger in fluid or al-low a fluid to flow inside them. Corrosive or conductive fluids, such as seawater, certain industrial chemicals, and bleach or bleach containing products, etc., Can cause a short circuit.

## SPECIFIED CONDITIONS OF USE

The sander/polisher can be used for sanding and for polishing lacquers, coatings, plastics and other smooth surfaces.

Please refer to the instructions supplied by the accessory manufacturer

The machine is suitable only for working without water.

## WORKING INSTRUCTIONS

Always use the auxiliary handle.

The workpiece must be fixed if it is not heavy enough to be steady. Never move the workpiece towards the rotating disk by hand.

## MAINTENANCE

The ventilation slots of the machine must be kept clear at all times.

Use only Milwaukee accessories and spare parts. Should components need to be replaced which have not been described, please contact one of our Milwaukee service agents (see our list of guarantee/service addresses).

If needed, an exploded view of the tool can be ordered. Please state the Article No. as well as the machine type printed on the label and order the drawing at your local service agents or directly at: Techtronic Industries GmbH, Max-Eyth-Straße 10, 71364 Winnenden, Germany.

## EC-DECLARATION OF CONFORMITY

We declare under our sole responsibility that the product described under "Technical Data" fulfills all the relevant regulations and the directives 2011/65/EU (RoHS), 2014/30/EU, 2006/42/EC, and the following harmonized standards have been used:

EN 60745-1:2009+A11:2010  
EN 60745-2-3:2011 + A2:2013  
EN 55014-1:2006+A1:2009+A2:2011  
EN 55014-2:2015  
EN 50581:2012

Winnenden, 2017-11-30

Alexander Krug  
Managing Director



Authorized to compile the technical file.

Techtronic Industries GmbH  
Max-Eyth-Straße 10  
71364 Winnenden  
Germany

## BATTERIES

Battery packs which have not been used for some time should be recharged before use.

Temperatures in excess of 50°C (122°F) reduce the performance of the battery pack. Avoid extended exposure to heat or sunshine (risk of overheating).

The contacts of chargers and battery packs must be kept clean.

For an optimum life-time, the battery packs have to be fully charged, after used.

To obtain the longest possible battery life remove the battery pack from the charger once it is fully charged.

For battery pack storage longer than 30 days:  
Store the battery pack where the temperature is below 27°C and away from moisture  
Store the battery packs in a 30% - 50% charged condition  
Every six months of storage, charge the pack as normal.

## TRANSPORTING LITHIUM BATTERIES

Lithium-ion batteries are subject to the Dangerous Goods Legislation requirements.

Transportation of those batteries has to be done in accordance with local, national and international provisions and regulations.

- The user can transport the batteries by road without further requirements.
- Commercial transport of Lithium-Ion batteries by third parties is subject to Dangerous Goods regulations. Transport preparation and transport are exclusively to be carried out by appropriately trained persons and the process has to be accompanied by corresponding experts.

When transporting batteries:

- Ensure that battery contact terminals are protected and insulated to prevent short circuit.
- Ensure that battery pack is secured against movement within packaging.
- Do not transport batteries that are cracked or leak.

Check with forwarding company for further advice

## SYMBOLS



CAUTION! WARNING! DANGER!



Remove the battery pack before starting any work on the machine.



Please read the instructions carefully before starting the machine.



Always wear goggles when using the machine.



Wear gloves!



Do not dispose electric tools, batteries/rechargeable batteries together with household waste material. Electric tools and batteries that have reached the end of their life must be collected separately and returned to an environmentally compatible recycling facility. Check with your local authority or retailer for recycling advice and collection point.



European Conformity Mark

ØPmax = 76 mm

Maximum capacity for polishing

ØSmax = 51 mm

Maximum capacity for sanding



National mark of conformity Ukraine



EurAsian Conformity Mark.

## TECHNISCHE DATEN

### Polier-/Schleifmaschine

M12 BPS	
Produktionsnummer	4477 93 03... ...000001-999999
Spannung Wechselakku	12 V
Nennrehzahl im 1. Gang	0-2800 min <sup>-1</sup>
Nennrehzahl im 2. Gang	0-8300 min <sup>-1</sup>
Polierscheibendurchmesser	76 mm
Schleifscheibendurchmesser	51 mm
Spindelgewinde	M9x0,75
Gewicht nach EPTA-Prozedur 01/2003 (2,0 Ah)	1,0 kg
Gewicht nach EPTA-Prozedur 01/2003 (4,0 Ah)	1,2 kg
<b>Geräusch/Vibrationsinformation</b> Messwerte ermittelt entsprechend EN 60 745. Der A-bewertete Geräuschpegel des Gerätes beträgt typischerweise: Schalldruckpegel (Unsicherheit K=3dB(A)) Schalleistungspegel (Unsicherheit K=3dB(A)) <b>Gehörschutz tragen!</b> Schwingungsgesamtwerte (Vektorsumme dreier Richtungen) ermittelt entsprechend EN 60745. Polieren Schwingungsemissionswert a <sub>n,p</sub> Unsicherheit K Sandpapierschleifen Schwingungsemissionswert a <sub>n,DS</sub> Unsicherheit K	68,24 dB(A) 79,20 dB(A)  2,95 m/s <sup>2</sup> 1,83 m/s <sup>2</sup>  2,3 m/s <sup>2</sup> 1,5 m/s <sup>2</sup>

## WARNUNG

Der in diesen Anweisungen angegebene Schwingungspegel ist entsprechend einem in EN 60745 genormten Messverfahren gemessen worden und kann für den Vergleich von Elektrowerkzeugen miteinander verwendet werden. Er eignet sich auch für eine vorläufige Einschätzung der Schwingungsbelastung.

Der angegebene Schwingungspegel repräsentiert die hauptsächlichen Anwendungen des Elektrowerkzeugs. Wenn allerdings das Elektrowerkzeug für andere Anwendungen, mit abweichenden Einsatzwerkzeugen oder ungenügender Wartung eingesetzt wird, kann der Schwingungspegel abweichen. Dies kann die Schwingungsbelastung über den gesamten Arbeitszeitraum deutlich erhöhen.

Für eine genaue Abschätzung der Schwingungsbelastung sollten auch die Zeiten berücksichtigt werden, in denen das Gerät abgeschaltet ist oder zwar läuft, aber nicht tatsächlich im Einsatz ist. Dies kann die Schwingungsbelastung über den gesamten Arbeitszeitraum deutlich reduzieren.

Legen Sie zusätzliche Sicherheitsmaßnahmen zum Schutz des Bedieners vor der Wirkung von Schwingungen fest wie zum Beispiel: Wartung von Elektrowerkzeug und Einsatzwerkzeugen, Warmhalten der Hände, Organisation der Arbeitsabläufe.

**⚠️ WARNUNG! Lesen Sie alle Sicherheitshinweise und Anweisungen.** Versäumnisse bei der Einhaltung der Sicherheitshinweise und Anweisungen können elektrischen Schlag, Brand und/oder schwere Verletzungen verursachen. **Bewahren Sie alle Sicherheitshinweise und Anweisungen für die Zukunft auf.**

## ⚠️ SICHERHEITSHINWEISE POLIER-/SCHLEIFMASCHINE

**Gemeinsame Sicherheitshinweise zum Polieren und Sandpapierschleifen.**

**a) Dieses Elektrowerkzeug ist zu verwenden als Polierer und Sandpapierschleifer. Beachten Sie alle Sicherheitshinweise, Anweisungen, Darstellungen und Daten, die Sie mit dem Elektrowerkzeug erhalten.** Wenn Sie die folgenden Anweisungen nicht beachten, kann es zu elektrischem Schlag, Feuer und/oder schweren Verletzungen kommen.

**b) Dieses Elektrowerkzeug ist nicht geeignet zum Trenn- und Schruppschleifen und zum Drahtbürsten.** Verwendungen, für die das Elektrowerkzeug nicht vorgesehen ist, können Gefährdungen und Verletzungen verursachen.

**c) Verwenden Sie kein Zubehör, das vom Hersteller nicht speziell für dieses Elektrowerkzeug vorgesehen und empfohlen wurde.** Nur weil Sie das Zubehör an Ihrem Elektrowerkzeug befestigen können, garantiert das keine sichere Verwendung.

**d) Die zulässige Drehzahl des Einsatzwerkzeugs muss mindestens so hoch sein wie die auf dem Elektrowerkzeug**

**angegebene Höchstdrehzahl.** Zubehör, das sich schneller als zulässig dreht, kann zerbrechen und umherfliegen.

**e) Außendurchmesser und Dicke des Einsatzwerkzeugs müssen den Maßangaben Ihres Elektrowerkzeugs entsprechen.** Falsch bemessene Einsatzwerkzeuge können nicht ausreichend abgeschirmt oder kontrolliert werden.

**f) Das Gewinde der Zubehörteile muss mit dem Gewinde der Schleifspindel übereinstimmen.** Bei Zubehörteilen, die mit Hilfe eines Flanschs montiert werden, muss die Bohrung des Zubehörteils mit dem Durchmesser des FLANSCHS übereinstimmen. Zubehörteile, die nicht auf das Gerät passen, laufen unrund, vibrieren zu stark und können dazu führen, dass die Kontrolle über das Gerät verloren geht.

**g) Verwenden Sie keine beschädigten Einsatzwerkzeuge. Kontrollieren Sie vor jeder Verwendung Einsatzwerkzeuge wie Schleifscheiben auf Absplitterungen und Risse, Schleifteller auf Risse, Verschleiß oder starke Abnutzung, Drahtbürsten auf lose oder gebrochene Drähte.** Wenn das Elektrowerkzeug oder das Einsatzwerkzeug herunterfällt, überprüfen Sie, ob es beschädigt ist, oder verwenden Sie ein unbeschädigtes Einsatzwerkzeug. Wenn Sie das Einsatzwerkzeug kontrolliert und eingesetzt haben, halten Sie und in der Nähe befindliche Personen sich außerhalb der Ebene des rotierenden Einsatzwerkzeugs auf und lassen Sie das Elektrowerkzeug eine Minute lang mit Höchstdrehzahl laufen. Beschädigte Einsatzwerkzeuge brechen meist in dieser Testzeit.

**h) Tragen Sie persönliche Schutzausrüstung. Verwenden Sie je nach Anwendung Vollgesichtsschutz, Augenschutz**



oder Schutzbrille. Soweit angemessen, tragen Sie Staubmaske, Gehörschutz, Schutzhandschuhe oder Spezialschürze, die kleine Schleif- und Materialpartikel von Ihnen fernhält. Die Augen sollen vor herumfliegenden Fremdkörpern geschützt werden, die bei verschiedenen Anwendungen entstehen. Staub oder Atemschutzmaske müssen den bei der Anwendung entstehenden Staub filtern. Wenn Sie lange lautem Lärm ausgesetzt sind, können Sie einen Hörverlust erleiden.

**j) Achten Sie bei anderen Personen auf sicheren Abstand zu Ihrem Arbeitsbereich. Jeder, der den Arbeitsbereich betritt, muss persönliche Schutzausrüstung tragen.** Bruchstücke des Werkstücks oder gebrochener Einsatzwerkzeuge können wegfliegen und Verletzungen auch außerhalb des direkten Arbeitsbereichs verursachen.

**k) Halten Sie das Gerät an den isolierten Griffflächen, wenn Sie Arbeiten ausführen, bei denen das Schneidwerkzeug verborgene Stromleitungen treffen kann.** Der Kontakt mit einer spannungsführenden Leitung kann auch metallene Geräteteile unter Spannung setzen und zu einem elektrischen Schlag führen.

**l) Legen Sie das Elektrowerkzeug niemals ab, bevor das Einsatzwerkzeug völlig zum Stillstand gekommen ist.** Das sich drehende Einsatzwerkzeug kann in Kontakt mit der Ablagefläche geraten, wodurch Sie die Kontrolle über das Elektrowerkzeug verlieren können.

**m) Lassen Sie das Elektrowerkzeug nicht laufen, während Sie es tragen.** Ihre Kleidung kann durch zufälligen Kontakt mit dem sich drehenden Einsatzwerkzeug erfasst werden, und das Einsatzwerkzeug sich in Ihren Körper bohren.

**n) Reinigen Sie regelmäßig die Lüftungsschlitze Ihres Elektrowerkzeugs.** Das Motorgebläse zieht Staub in das Gehäuse, und eine starke Ansammlung von Metallstaub kann elektrische Gefahren verursachen.

**o) Verwenden Sie das Elektrowerkzeug nicht in der Nähe brennbarer Materialien.** Funken können diese Materialien entzünden.

**p) Verwenden Sie keine Einsatzwerkzeuge, die flüssige Kühlmittel erfordern.** Die Verwendung von Wasser oder anderen flüssigen Kühlmitteln kann zu einem elektrischen Schlag führen.

#### Rückschlag und entsprechende Sicherheitshinweise

Rückschlag ist die plötzliche Reaktion infolge eines hakenden oder blockierten drehenden Einsatzwerkzeugs, wie Schleifscheibe, Schleifteller, Drahtbürste usw. Verhaken oder Blockieren führt zu einem abrupten Stopp des rotierenden Einsatzwerkzeugs. Dadurch wird ein unkontrolliertes Elektrowerkzeug gegen die Drehrichtung des Einsatzwerkzeugs an der Blockierstelle beschleunigt.

Wenn z. B. eine Schleifscheibe im Werkstück hakt oder blockiert, kann sich die Kante der Schleifscheibe, die in das Werkstück eintaucht, verfangen und dadurch die Schleifscheibe ausbrechen oder einen Rückschlag verursachen. Die Schleifscheibe bewegt sich dann auf die Bedienperson zu oder von ihr weg, je nach Drehrichtung der Scheibe an der Blockierstelle. Hierbei können Schleifscheiben auch brechen.

Ein Rückschlag ist die Folge eines falschen oder fehlerhaften Gebrauchs des Elektrowerkzeugs. Er kann durch geeignete Vorsichtsmaßnahmen, wie nachfolgend beschrieben, verhindert werden.

**q) Halten Sie das Elektrowerkzeug gut fest und bringen Sie Ihren Körper und Ihre Arme in eine Position, in der Sie die Rückschlagkräfte abfangen können. Verwenden Sie immer den Zusatzgriff, falls vorhanden, um die größtmögliche Kontrolle über Rückschlagkräfte oder Reaktionsmomente beim Hochlauf zu haben.** Die Bedienperson kann durch geeignete Vorsichtsmaßnahmen die Rückschlag und Reaktionskräfte beherrschen.

**r) Bringen Sie Ihre Hand nie in die Nähe sich drehender Einsatzwerkzeuge.** Das Einsatzwerkzeug kann sich beim Rückschlag über Ihre Hand bewegen.

**s) Meiden Sie mit Ihrem Körper den Bereich, in den das Elektrowerkzeug bei einem Rückschlag bewegt wird.**

Der Rückschlag treibt das Elektrowerkzeug in die Richtung entgegengesetzt zur Bewegung der Schleifscheibe an der Blockierstelle.

**s) Arbeiten Sie besonders vorsichtig im Bereich von Ecken, scharfen Kanten usw. Verhindern Sie, dass Einsatzwerkzeuge vom Werkstück zurückprallen und verklemmen.** Das rotierende Einsatzwerkzeug neigt bei Ecken, scharfen Kanten oder wenn es abprallt, dazu, sich zu verklemmen. Dies verursacht einen Kontrollverlust oder Rückschlag.

**t) Verwenden Sie kein Ketten- oder gezähntes Sägebblatt.** Solche Einsatzwerkzeuge verursachen häufig einen Rückschlag oder den Verlust der Kontrolle über das Elektrowerkzeug.

#### Besondere Sicherheitshinweise zum Polieren

**a) Lassen Sie keine losen Teile der Polierhaube, insbesondere Befestigungsschnüre, zu. Verstauben oder kürzen Sie die Befestigungsschnüre.** Lose, sich mitdrehende Befestigungsschnüre können Ihre Finger erfassen oder sich im Werkstück verfangen.

#### Besondere Sicherheitshinweise zum Sandpapierschleifen

**a) Benutzen Sie keine überdimensionierten Schleifblätter, sondern befolgen Sie die Herstellerangaben zur Schleifblattgröße.** Schleifblätter, die über den Schleifteller hinausragen, können Verletzungen verursachen sowie zum Blockieren, Zerreißen der Schleifblätter oder zum Rückschlag führen.

#### Weitere Sicherheits- und Arbeitshinweise

Beim Schleifen von Metallen entsteht Funkenflug. Darauf achten, dass keine Personen gefährdet werden. Wegen der Brandgefahr dürfen sich keine brennbaren Materialien in der Nähe (Funkenflugbereich) befinden. Keine Staubabsaugung verwenden.

Vermeiden Sie, dass Funkenflug und Schleifstaub den Körper treffen.

Nicht in den Gefahrenbereich der laufenden Messer greifen!

Gerät sofort ausschalten, wenn beträchtliche Schwingungen auftreten oder andere Mängel festgestellt werden. Überprüfen Sie die Maschine, um die Ursache festzustellen.

Späne oder Splitter dürfen bei laufender Maschine nicht entfernt werden.

Verbrauchte Wechselakkus nicht ins Feuer oder in den Hausmüll werfen. Milwaukee bietet eine umweltgerechte Alt-Wechselakku-Entsorgung an; bitte fragen Sie Ihren Fachhändler.

Wechselakkus nicht zusammen mit Metallgegenständen aufbewahren (Kurzschlussgefahr).

Wechselakkus des Systems C12 nur mit Ladegeräten des Systems C12 laden. Keine Akkus aus anderen Systemen laden.

Wechselakkus und Ladegeräte nicht öffnen und nur in trockenen Räumen lagern. Vor Nässe schützen.

Unter extremer Belastung oder extremer Temperatur kann aus beschädigten Wechselakkus Batterieflüssigkeit auslaufen. Bei Berührung mit Batterieflüssigkeit sofort mit Wasser und Seife abwaschen. Bei Augenkontakt sofort mindestens 10 Minuten gründlich spülen und unverzüglich einen Arzt aufsuchen.

**Warnung!** Um die durch einen Kurzschluss verursachte Gefahr eines Brandes, von Verletzungen oder Produktbeschädigungen zu vermeiden, tauchen Sie das Werkzeug, den Wechselakku oder das Ladegerät nicht in Flüssigkeiten ein und sorgen Sie dafür, dass keine Flüssigkeiten in die Geräte und Akkus eindringen. Korrodierende oder leitfähige Flüssigkeiten, wie Salzwasser, bestimmte Chemikalien und Bleichmittel oder Produkte, die Bleichmittel enthalten, können einen Kurzschluss verursachen.

#### BESTIMMUNGSGEMÄSSE VERWENDUNG

Der Schleifer/Polierer ist einsetzbar zum Schleifen und zum Polieren von Lacken, Beschichtungen, Kunststoffen und anderen glatten Oberflächen.

Beachten Sie die Hinweise der Zubehöhersteller.

Das Elektrowerkzeug ist nur für Trockenbearbeitung geeignet.

#### ARBEITSHINWEISE

Stets den Zusatzhandgriff verwenden.

Das zu bearbeitende Werkstück muss festgespannt werden, sofern es nicht durch sein Eigengewicht hält. Niemals Werkstück mit der Hand gegen die Scheibe führen.

#### WARTUNG

Stets die Lüftungsschlitze der Maschine sauber halten.

Nur Milwaukee Zubehör und Ersatzteile verwenden. Bauteile, deren Austausch nicht beschrieben wurde, bei einer Milwaukee Kundendienststelle auswechseln lassen (Broschüre Garantie/Kundendienstadressen beachten).

Bei Bedarf kann eine Explosionszeichnung des Gerätes unter Angabe der Maschinen Type und der sechsstelligen Nummer auf dem Leistungsschild bei Ihrer Kundendienststelle oder direkt bei Techtronic Industries GmbH, Max-Eyth-Straße 10, 71364 Winnenden, Germany angefordert werden.

#### CE-KONFORMITÄTSERKLÄRUNG

Wir erklären in alleiniger Verantwortung, dass das unter „Technische Daten“ beschriebene Produkt mit alle relevanten Vorschriften der Richtlinie 2011/65/EU (RoHS), 2014/30/EU, 2006/42/EG und den folgenden harmonisierten normativen Dokumenten übereinstimmt:

EN 60745-1:2009+A11:2010  
EN 60745-2-3:2011 + A2:2013  
EN 55014-1:2006+A1:2009+A2:2011  
EN 55014-2:2015  
EN 50581:2012

Winnenden, 2017-11-30

*Alexander Krug*

Alexander Krug  
Managing Director



Bevollmächtigt die technischen Unterlagen zusammenzustellen.

Techtronic Industries GmbH  
Max-Eyth-Straße 10  
71364 Winnenden  
Germany

#### AKKUS

Längere Zeit nicht benutzte Wechselakkus vor Gebrauch nachladen.

Eine Temperatur über 50°C vermindert die Leistung des Wechselakkus. Längere Erwärmung durch Sonne oder Heizung vermeiden.

Die Anschlusskontakte an Ladegerät und Wechselakku sauber halten.

Für eine optimale Lebensdauer müssen nach dem Gebrauch die Akkus voll geladen werden.

Für eine möglichst lange Lebensdauer sollten die Akkus nach dem Aufladen aus dem Ladegerät entfernt werden.

Bei Lagerung des Akkus länger als 30 Tage:  
Akku bei ca. 27°C und trocken lagern.  
Akku bei ca. 30%-50% des Ladezustandes lagern.  
Akku alle 6 Monate erneut aufladen.

#### TRANSPORT VON LITHIUM-IONEN-AKKUS

Lithium-Ionen-Akkus fallen unter die gesetzlichen Bestimmungen zum Gefahrguttransport.

Der Transport dieser Akkus muss unter Einhaltung der lokalen, nationalen und internationalen Vorschriften und Bestimmungen erfolgen.

- Verbraucher dürfen diese Akkus ohne Weiteres auf der Straße transportieren.
- Der kommerzielle Transport von Lithium-Ionen-Akkus durch Speditionsunternehmen unterliegt den Bestimmungen des Gefahrguttransports. Die Versandvorbereitungen und der Transport dürfen ausschließlich von entsprechend geschulten Personen durchgeführt werden. Der gesamte Prozess muss fachmännisch begleitet werden.

Folgende Punkte sind beim Transport von Akkus zu beachten:

- Stellen Sie sicher, dass die Kontakte geschützt und isoliert sind, um Kurzschlüsse zu vermeiden.
- Achten Sie darauf, dass der Akkupack innerhalb der Verpackung nicht verrutschen kann.
- Beschädigte oder auslaufende Akkus dürfen nicht transportiert werden.

Wenden Sie sich für weitere Hinweise an Ihr Speditionsunternehmen.

#### SYMBOLS



ACHTUNG! WARNUNG! GEFAHR!



Vor allen Arbeiten an der Maschine den Wechselakku herausnehmen



Bitte lesen Sie die Gebrauchsanweisung vor Inbetriebnahme sorgfältig durch.



Beim Arbeiten mit der Maschine stets Schutzbrille tragen.



Schutzhandschuhe tragen!



Elektrogeräte, Batterien/Akkus dürfen nicht zusammen mit dem Hausmüll entsorgt werden. Elektrische Geräte und Akkus sind getrennt zu sammeln und zur umweltgerechten Entsorgung bei einem Wertungsbetrieb abzugeben. Erkundigen Sie sich bei den örtlichen Behörden oder bei Ihrem Fachhändler nach Recyclinghöfen und Sammelstellen.



CE-Zeichen

ØPmax = 76 mm

Maximale Polierleistung

ØSmax = 51 mm

Maximale Schleifleistung



Nationales Konformitätszeichen Ukraine



EurAsian Konformitätszeichen.

CARACTÉRISTIQUES TECHNIQUES	M12 BPS
<b>polisseuse / ponceuse</b>	
Numéro de série	4477 93 03... ...000001-999999
Tension accu interchangeable	12 V
Vitesse de rotation nominale 1ère vitesse	0-2800 min <sup>-1</sup>
Vitesse de rotation nominale 2ème vitesse	0-8300 min <sup>-1</sup>
Diamètre disque à polissage	76 mm
Diamètre disque à poncer	51 mm
Filetage de l'arbre	M9x0,75
Poids suivant EPTA-Procédure 01/2003 (2,0 Ah)	1,0 kg
Poids suivant EPTA-Procédure 01/2003 (4,0 Ah)	1,2 kg
<b>Informations sur le bruit et les vibrations</b>	
Valeurs de mesure obtenues conformément à la EN 60 745. Les mesures réelles (A) des niveaux acoustiques de l'appareil sont :	
Niveau de pression acoustique (Incertitude K=3dB(A))	68,24 dB(A)
Niveau d'intensité acoustique (Incertitude K=3dB(A))	79,20 dB(A)
<b>Toujours porter une protection acoustique!</b>	
Valeurs totales des vibrations (somme vectorielle de trois sens) établies conformément à EN 60745.	
Polissage	2,95 m/s <sup>2</sup>
Valeur d'émission vibratoire a <sub>h,p</sub>	1,83 m/s <sup>2</sup>
Incertitude K	
Ponçage à la toile émeri	
Valeur d'émission vibratoire a <sub>h,ds</sub>	2,3 m/s <sup>2</sup>
Incertitude K	1,5 m/s <sup>2</sup>

## AVERTISSEMENT

Le niveau vibratoire indiqué dans ces instructions a été mesuré selon un procédé de mesure normalisé dans la norme EN 60745 et peut être utilisé pour comparer des outils électriques entre eux. Il convient aussi à une estimation provisoire de la sollicitation par les vibrations.

Le niveau vibratoire indiqué représente les applications principales de l'outil électrique. Toutefois, si l'outil électrique est utilisé pour d'autres applications, avec des outils rapportés qui diffèrent ou une maintenance insuffisante, il se peut que le niveau vibratoire diverge. Cela peut augmenter nettement la sollicitation par les vibrations sur tout l'intervalle de temps du travail.

Pour une estimation précise de la sollicitation par les vibrations, on devrait également tenir compte des temps pendant lesquels l'appareil n'est pas en marche ou tourne sans être réellement en service. Cela peut réduire nettement la sollicitation par les vibrations sur tout l'intervalle de temps du travail.

Définissez des mesures de sécurité supplémentaires pour protéger l'utilisateur contre l'influence des vibrations, comme par exemple : la maintenance de l'outil électrique et des outils rapportés, le maintien au chaud des mains, l'organisation des déroulements de travail.

**⚠️ AVIS! Lire complètement les instructions et les indications de sécurité.** Le non-respect des avertissements et instructions indiqués ci après peut entraîner un choc électrique, un incendie et/ou de graves blessures sur les personnes.

**Bien garder tous les avertissements et instructions.**

## ⚠️ CONSIGNES DE SÉCURITÉ POLISSEUSE / PONCEUSE

**Avertissements communs pour le ponçage au papier de verre et le polissage:**

**a) Cet outil électrique est destiné à fonctionner comme lustreuse, ponceuse. Lire toutes les mises en garde de sécurité, les instructions, les illustrations et les spécifications fournies avec cet outil électrique.** Le fait de ne pas suivre toutes les instructions données cidessous peut provoquer un choc électrique, un incendie et/ou une blessure grave.

**b) Cet outil électrique ne convient pas au tronçonnage à la meule et de dégrossissage en travailler avec des brosses.** Les cas d'utilisation pour lesquels l'outil électrique n'est pas prévu peuvent présenter des mises en danger et être à l'origine de blessures.

**c) Ne pas utiliser d'accessoires non conçus spécifiquement et recommandés par le fabricant d'outils.** Le simple fait que l'accessoire puisse être fixé à votre outil électrique ne garantit pas un fonctionnement en toute sécurité.

**d) La vitesse assignée de l'accessoire doit être au moins égale à la vitesse maximale indiquée sur l'outil électrique.**

Les accessoires fonctionnant plus vite que leur vitesse assignée peuvent se rompre et voler en éclat.

**e) Le diamètre extérieur et l'épaisseur des outils utilisés doivent correspondre aux cotes de l'outil électrique.** Les outils dont la mesure a été effectuée de manière erronée ne peuvent pas être suffisamment blindés ou contrôlés.

**f) Le filetage des accessoires doit coïncider avec le filetage du mandrin porte-meule. Sur les accessoires à monter en employant une bride, il est nécessaire que le trou de l'accessoire correspond au diamètre de la BRIDE.** Des accessoires non aptes au dispositif tourneront d'une manière excentrique, vibreront excessivement et ils pourront comporter la perte du contrôle de l'appareil.

**g) Ne pas utiliser d'accessoire endommagé. Avant chaque utilisation examiner les accessoires comme les meules abrasives pour détecter la présence éventuelle de copeaux et fissures, les patins d'appui pour détecter des traces éventuelles de fissures, de déchirure ou d'usure excessive, ainsi que les brosses métalliques pour détecter des fils desserrés ou fissurés.** Si l'outil électrique ou l'accessoire a subi une chute, examiner les dommages éventuels ou installer un accessoire non endommagé. Après examen et installation d'un accessoire, placez-vous ainsi que les personnes présentes à distance du plan de l'accessoire rotatif et faire marcher l'outil électrique à vitesse maximale à vide pendant 1 min. Les accessoires endommagés seront normalement détruits pendant cette période d'essai.

**h) Porter un équipement de protection individuelle. En fonction de l'application, utiliser un écran facial, des lunet-**

**tes de sécurité ou des verres de sécurité. Le cas échéant, utiliser un masque antipoussières, des protections auditives, des gants et un tablier capables d'arrêter les petits fragments abrasifs ou des pièces à usiner.** La protection oculaire doit être capable d'arrêter les débris volants produits par les diverses opérations. Le masque antipoussières ou le respirateur doit être capable de filtrer les particules produites par vos travaux. L'exposition prolongée aux bruits de forte intensité peut provoquer une perte de l'audition.

**i) Veillez à ce que les personnes tierces respectent une distance sûre par rapport à votre périmètre de travail. Toute personne qui pénètre dans le périmètre de travail doit porter des équipements de protection individuelle.** Des fragments de la pièce usinée et d'outils rapportés brisés sont susceptibles de s'envoler et de provoquer des blessures mêmes en dehors du périmètre direct de travail.

**j) Maintenez l'appareil par les surfaces de poignée isolées lorsque vous exécutez des travaux pendant lesquels l'outil de coupe peut toucher des lignes électriques dissimulées.** Le contact avec un conducteur « conduisant la tension » peut aussi faire en sorte que des parties métalliques de l'outil électrique « conduisant la tension » et peuvent fournir une décharge électrique à l'opérateur.

**k) Ne jamais poser l'appareil électrique avant que l'outil rapporté soit entièrement à l'arrêt.** L'outil rapporté en rotation est susceptible d'entrer en contact avec la surface de dépôt, ce qui risquerait de vous faire perdre le contrôle de l'appareil électrique.

**l) Ne pas faire fonctionner l'outil électrique en le portant sur le côté.** Un contact accidentel avec l'accessoire de rotation pourrait accrocher vos vêtements et attirer l'accessoire sur vous.

**m) Nettoyer régulièrement les orifices d'aération de l'outil électrique.** Le ventilateur du moteur attirera la poussière à l'intérieur du boîtier et une accumulation excessive de poudre de métal peut provoquer des dangers électriques.

**n) Ne pas utiliser l'outil électrique à proximité de matériaux inflammables.** Des étincelles sont susceptibles d'enflammer ces matériaux.

**o) Ne pas utiliser d'outils rapportés qui nécessitent des agents réfrigérants liquides.** L'utilisation d'eau ou d'autres agents réfrigérants liquides risque de provoquer une électrocution.

## Rebonds et mises en garde correspondantes

Le rebond est une réaction soudaine au pincement ou à l'accrochage d'une meule rotative, d'un patin d'appui, d'une brosse ou de tout autre accessoire. Le pincement ou l'accrochage provoque un blocage rapide de l'accessoire en rotation qui, à son tour, contraint l'outil électrique hors de contrôle dans le sens opposé de rotation de l'accessoire au point du grippage.

Par exemple, si une meule abrasive est accrochée ou pincée par la pièce à usiner, le bord de la meule qui entre dans le point de pincement peut creuser la surface du matériau, provoquant des sauts ou l'expulsion de la meule. La meule peut sauter en direction de l'opérateur ou encore en s'en éloignant, selon le sens du mouvement de la meule au point de pincement. Les meules abrasives peuvent également se rompre dans ces conditions.

Le rebond résulte d'un mauvais usage de l'outil et/ou de procédures ou de conditions de fonctionnement incorrectes et peut être évité en prenant les précautions appropriées spécifiées cidessous.

**a) Maintenir fermement l'outil électrique et placer votre corps et vos bras pour vous permettre de résister aux forces de rebond. Toujours utiliser une poignée auxiliaire, le cas échéant, pour une maîtrise maximale du rebond ou de la réaction de couple au cours du démarrage.** L'opérateur peut maîtriser les couples de réaction ou les forces de rebond, si les précautions qui s'imposent sont prises.

**b) Ne jamais placer votre main à proximité de l'accessoire en rotation.** L'accessoire peut effectuer un rebond sur votre main.

**c) Ne pas vous placer dans la zone où l'outil électrique se déplacera en cas de rebond.** Le rebond pousse l'outil dans le sens opposé au mouvement de la meule au point d'accrochage.

**d) Apporter un soin particulier lors de travaux dans les coins, les arêtes vives etc. Éviter les rebondissements et les accrochages de l'accessoire.** Les coins, les arêtes vives ou les rebondissements ont tendance à accrocher l'accessoire en rotation et à provoquer une perte de contrôle ou un rebond.

**e) N'utilisez pas de lames de scie à chaîne ou dentées.** Ce type d'outil rapporté provoque fréquemment des contrecoups et une perte de contrôle de l'outil électrique.

## Mises en garde de sécurité spécifiques aux opérations de lustrage

**a) Ne permettre à aucune partie lâche du bonnet de lustrage ou de ses fils de fixation de tourner librement. Cacher ou tailler tous les fils de fixation lâches.** Les fils de fixation lâches et en rotation peuvent s'enchevêtrer sur vos doigts ou s'accrocher sur la pièce à usiner.

## Mises en garde de sécurité spécifiques aux opérations de ponçage

**a) Ne pas utiliser de papier abrasif trop surdimensionné pour les disques de ponçage.** Suivre les recommandations des fabricants, lors du choix du papier abrasif. Un papier abrasif plus grand s'étendant au-delà du patin de ponçage présente un danger de lacération et peut provoquer un accrochage, une déchirure du disque ou un rebond.

## Avis complémentaires de sécurité et de travail

L'usinage des métaux génère des étincelles. Veiller à ce que personne ne soit exposé à un danger. En raison du risque d'incendie, aucune matière inflammable ou combustible ne doit se trouver dans la zone de projection des étincelles. Ne pas utiliser d'aspirateur de poussières.

Éviter que les étincelles et la poussière produites lors du polissage entrent en contact avec le corps.

Ne pas mettre la main dans la zone dangereuse des coteaux!

Arrêter la machine tout de suite lorsqu'il y a des vibrations importantes ou que d'autres défauts surgissent. Contrôler la machine afin d'en trouver les causes.

Ne jamais enlever les copeaux ni les éclats lorsque la machine est en marche.

Ne pas jeter les accus interchangeables usés au feu ou avec les déchets ménagers. Milwaukee offre un système d'évacuation écologique des accus usés.

Ne pas conserver les accus interchangeables avec des objets métalliques (risque de court-circuit)

Ne charger les accus interchangeables du système C12 qu'avec le chargeur d'accus du système C12. Ne pas charger des accus d'autres systèmes.

Ne pas ouvrir les accus interchangeables et les chargeurs et ne les stocker que dans des locaux secs. Les protéger contre l'humidité.

En cas de conditions ou températures extrêmes, du liquide caustique peut s'échapper d'un accu interchangeable endommagé. En cas de contact avec le liquide caustique de la batterie, laver immédiatement avec de l'eau et du savon. En cas de contact avec les yeux, rincer soigneusement avec de l'eau et consulter immédiatement un médecin.

**Avvertissement!** Pour réduire le risque d'incendie, de blessures corporelles et de dommages causés par un court-circuit, ne jamais immerger l'outil, le bloc-piles ou le chargeur dans un liquide ou laisser couler un fluide à l'intérieur de celui-ci. Les fluides corrosifs ou conducteurs, tels que l'eau de mer, certains produits chim-iques industriels, les produits de blanchiment ou de blanchi-ment, etc., Peuvent provoquer un court-circuit.



## UTILISATION CONFORME AUX PRESCRIPTIONS

L'appareil de meulage et de polissage convient au meulage et au polissage de vernis, de revêtements, de matières synthétiques et autres surfaces planes.

Utiliser un capot de protection fermé contenu dans le programme d'accessoires pour les travaux de tronçonnage.

Le dispositif électrique est apte exclusivement à travailler à sec.

## CONSIGNES DE TRAVAIL

Utiliser toujours la poignée supplémentaire.

La pièce à travailler doit être fortement serrée lorsque son propre poids ne suffit pas à la maintenir. Ne jamais guider la pièce à travailler à la main vers la meule.

## ENTRETIEN

Tenir toujours propres les orifices de ventilation de la machine. N'utiliser que des pièces et accessoires Milwaukee. Pour des pièces dont l'échange n'est pas décrit, s'adresser de préférence aux stations de service après-vente Milwaukee (voir brochure Garantie/Adresses des stations de service après-vente).

Si besoin est, une vue éclatée de l'appareil peut être fournie. S'adresser, en indiquant bien le numéro porté sur la plaque signalétique, à votre station de service après-vente (voir liste jointe) ou directement à Techtronic Industries GmbH, Max-Eyth-Straße 10, 71364 Winnenden, Germany.

## DÉCLARATION CE DE CONFORMITÉ

Nous déclarons sous notre seule responsabilité que le produit décrit sous « Caractéristiques techniques » concorde avec toutes les consignes pertinentes de la directive 2011/65 EU (RoHS), 2014/30/UE, 2006/42/CE et les documents normatifs harmonisés suivants :

EN 60745-1:2009+A11:2010  
EN 60745-2-3:2011 + A2:2013  
EN 55014-1:2006+A1:2009+A2:2011  
EN 55014-2:2015  
EN 50581:2012

Winnenden, 2017-11-30

  
Alexander Krug  
Managing Director



Autorisé à compiler la documentation technique.

Techtronic Industries GmbH  
Max-Eyth-Straße 10  
71364 Winnenden  
Germany

## ACCUS

Recharger les accus avant utilisation après une longue période de non utilisation.

Une température supérieure à 50°C amoindrit la capacité des accus. Éviter les expositions prolongées au soleil ou au chauffage.

Tenir propres les contacts des accus et des chargeurs.

Pour une durée de vie optimale, les accus doivent être chargés à fond après l'utilisation.

Pour une plus longue durée de vie, enlever les batteries du chargeur de batterie quand celles-ci seront chargées.

En cas d'entreposage de la batterie pour plus de 30 jours: Entreposer la batterie à 27°C environ dans un endroit sec. Entreposer la batterie avec une charge d'environ 30% - 50%. Recharger la batterie tous les 6 mois.

## TRANSPORT DE BATTERIES LITHIUM-ION

Les batteries lithium-ion sont soumises aux dispositions législatives concernant le transport de produits dangereux.

Le transport de ces batteries devra s'effectuer dans le respect des dispositions et des normes locales, nationales et internationales.

- Les utilisateurs peuvent transporter ces batteries sans restrictions.
- Le transport commercial de batteries lithium-ion est réglé par les dispositions concernant le transport de produits dangereux. La préparation au transport et le transport devront être effectués uniquement par du personnel formé de façon adéquate. Tout le procédé devra être géré d'une manière professionnelle.

Durant le transport de batteries il faut respecter les consignes suivantes :

- S'assurer que les contacts soient protégés et isolés en vue d'éviter des courts-circuits.
- S'assurer que le groupe de batteries ne puisse pas se déplacer à l'intérieur de son emballage.
- Des batteries endommagées ou des batteries perdant du liquide ne devront pas être transportées.

Pour tout renseignement complémentaire veuillez vous adresser à votre transporteur professionnel.

## SYMBOLES



ATTENTION! AVERTISSEMENT!  
DANGER!



Avant tous travaux sur la machine retirer l'accu interchangeable.



Veuillez lire avec soin le mode d'emploi avant la mise en service



Toujours porter des lunettes protectrices en travaillant avec la machine.



Porter des gants de protection!



Les dispositifs électriques, les batteries et les batteries rechargeables ne sont pas à éliminer dans les déchets ménagers. Les dispositifs électriques et les batteries sont à collecter séparément et à remettre à un centre de recyclage en vue de leur élimination dans le respect de l'environnement. S'adresser aux autorités locales ou au détaillant spécialisé en vue de connaître l'emplacement des centres de recyclage et des points de collecte.



Marque CE

ØPmax = 76 mm

Puissance max. de polissage

ØSmax = 51 mm

Puissance max. de ponçage



Symbole national de conformité Ukraine



Marque de qualité EurAsian

## DATI TECNICI

### Lucidatrice / Levigatrice

Numero di serie

### M12 BPS

4477 93 03...  
...000001-999999

Tensione batteria

12 V

Numero giri nominale in 1. velocità

0-2800 min<sup>-1</sup>

Numero giri nominale in 2. velocità

0-8300 min<sup>-1</sup>

Diametro disco lucidatura

76 mm

Diametro disco levigatura

51 mm

Passo attacco codolo

M9x0,75

Peso secondo la procedura EPTA 01/2003 (2,0 Ah)

1,0 kg

Peso secondo la procedura EPTA 01/2003 (4,0 Ah)

1,2 kg

### Informazioni sulla rumorosità/sulle vibrazioni

Valori misurati conformemente alla norma EN 60 745.

La misurazione A del livello di pressione acustica dell'utensile è di solito di:

Livello di rumorosità (Incertezza della misura K=3dB(A))

68,24 dB(A)

Potenza della rumorosità (Incertezza della misura K=3dB(A))

79,20 dB(A)

### Utilizzare le protezioni per l'udito!

Valori totali delle oscillazioni (somma di vettori in tre direzionimisurati conformemente alla norma EN 60745

Lucidatura

Valore di emissione dell'oscillazione a<sub>n,p</sub>

2,95 m/s<sup>2</sup>

Incertezza della misura K

1,83 m/s<sup>2</sup>

Smerigliatura con carta vetrata

Valore di emissione dell'oscillazione a<sub>n,DS</sub>

2,3 m/s<sup>2</sup>

Incertezza della misura K

1,5 m/s<sup>2</sup>

## AVVERTENZA

Il livello di vibrazioni indicato nelle presenti istruzioni è stato misurato in conformità con un procedimento di misurazione codificato nella EN 60745 e può essere utilizzato per un confronto tra attrezzi elettrici. Inoltre si può anche utilizzare per una valutazione preliminare della sollecitazione da vibrazioni.

Il livello di vibrazioni indicato rappresenta le applicazioni principali dell'attrezzo elettrico. Se viceversa si utilizza l'attrezzo elettrico per altri scopi, con accessori differenti o con una manutenzione insufficiente, il livello di vibrazioni può risultare diverso. E questo può aumentare decisamente la sollecitazione da vibrazioni lungo l'intero periodo di lavorazione.

Ai fini di una valutazione precisa della sollecitazione da vibrazioni si dovrebbero tenere presente anche i periodi in cui l'apparecchio rimane spento oppure, anche se acceso, non viene effettivamente utilizzato. Ciò può ridurre notevolmente la sollecitazione da vibrazioni lungo l'intero periodo di lavorazione.

Stabilite misure di sicurezza supplementari per la tutela dell'operatore dall'effetto delle vibrazioni, come ad esempio: manutenzione dell'attrezzo elettrico e degli accessori, riscaldamento delle mani, organizzazione dei processi di lavoro.

**AVVERTENZA! Leggere tutte le istruzioni ed indicazioni di sicurezza.** In caso di mancato rispetto delle avvertenze di pericolo e delle istruzioni operative si potrà creare il pericolo di scosse elettriche, incendi e/o incidenti gravi.  
**Conservare tutte le avvertenze di pericolo e le istruzioni operative per ogni esigenza futura.**

## INDICAZIONI DI SICUREZZA LUCIDATRICE / LEVIGATRICE

Istruzioni di sicurezza generali per lavori di levigatura con carta vetrata e lucidatura:

**a) Questo elettrotensile è previsto per essere utilizzato come lucidatrice e levigatrice per carta a vetro. Attenersi a tutte le avvertenze di pericolo, istruzioni, rappresentazioni e dati che si ricevono insieme all'elettrotensile.** In caso di mancata osservanza delle seguenti istruzioni vi è il pericolo di provocare una scossa elettrica, di sviluppare incendi e/o di provocare seri incidenti.

**b) Questo attrezzo elettrico non è idoneo per la rettifica di asportazione e di sgrassatura e al lavoro con spazzole metalliche.** Qualsiasi utilizzo non previsto con il presente attrezzo elettrico può causare pericolo e lesioni.

**c) Non utilizzare nessun accessorio che la casa costruttrice non abbia esplicitamente previsto e raccomandato per questo elettrotensile.** Il semplice fatto che un accessorio possa essere fissato al Vostro elettrotensile non è una garanzia per un impiego sicuro.

**d) Il numero di giri ammesso dell'accessorio impiegato deve essere almeno tanto alto quanto il numero massimo di giri riportato sull'elettrotensile.** Un accessorio che gira più rapidamente di quanto consentito può rompersi in vari pezzi e venir lanciato intorno.

**e) Diametro esterno e spessore dell'utensile utilizzato devono corrispondere alle indicazioni delle misure dell'utensile elettrico.** Utensili dimensionati in maniera errata potrebbero essere non sufficientemente schermate oppure controllate,

**f) La filettatura degli accessori deve coincidere con la filettatura del mandrino portamola.** Sugli accessori da montare facendo uso di una flangia è necessario che il foro dell'accessorio corrisponda al diametro della FLANGIA. Accessori non adatti al dispositivo si muoveranno in maniera eccentrica, vibreranno eccessivamente e potranno comportare la perdita del controllo sul dispositivo.

**g) Non utilizzare mai portautensili od accessori danneggiati.** Prima di ogni utilizzo controllare i portautensili e gli accessori ed accertarsi che sui dischi abrasivi non vi siano scheggiature o crepature, che il platello non sia soggetto ad incrinature, crepature o forte usura e che le spazzole metalliche non abbiano fili metallici allentati oppure rotti. Se l'elettrotensile oppure l'accessorio impiegato dovesse sfuggire dalla mano e cadere, accertarsi che questo non abbia subito nessun danno oppure utilizzare un accessorio intatto. Una volta controllato e montato il portautensile o accessorio, far funzionare l'elettrotensile per la durata di un minuto con il numero massimo di giri avendo cura di tenersi lontani e di impedire anche ad altre persone presenti di avvicinarsi al portautensile o accessorio in



**rotazione.** Nella maggior parte dei casi i portautensili o accessori danneggiati si rompono nel corso di questo periodo di prova.

**h) Indossare abbigliamento di protezione. A seconda dell'applicazione in corso utilizzare una visiera completa, maschera di protezione per gli occhi oppure occhiali di sicurezza. Per quanto necessario, portare maschere per polveri, protezione acustica, guanti di protezione oppure un grembiule speciale in grado di proteggervi da piccole particelle di levigatura o di materiale.** Gli occhi dovrebbero essere protetti da corpi estranei espulsi in aria nel corso di diverse applicazioni. La maschera antipolvere e la maschera respiratoria devono essere in grado di filtrare la polvere provocata durante l'applicazione. Espo- nendosi per lungo tempo ad un rumore troppo forte vi è il pericolo di perdere l'udito.

**i) Prestare attenzione che le altre persone rispettino le distanze di sicurezza dalla zona di lavoro. Chi entra nella zona di lavoro deve indossare i dispositivi di protezione individuali.** Eventuale particelle rotte del pezzo da lavorare oppure utensili rotti possono saltare via e causare ferite anche all'esterno della zona diretta del lavoro.

**j) Impugnare l'apparecchio sulle superfici di tenuta isolate mentre si eseguono lavori durante i quali l'utensile da taglio potrebbe entrare in contatto con cavi di corrente.** Il contatto con un cavo sotto tensione può mettere sotto tensione anche le parti metalliche dell'apparecchio e comportare una folgorazione elettrica.

**k) Non depositare mai l'utensile elettrico, prima che questo non si sia fermato completamente.** Utensili rotanti possono venire in contatto con la superficie d'appoggio, causando la perdita del controllo sull'utensile.

**l) Mai trasportare l'elettrotensile mentre questo dovesse essere ancora in funzione.** Attraverso un contatto casuale l'utensile in rotazione potrebbe fare presa sugli indumenti oppure sui capelli dell'operatore e potrebbe arrivare a ferire seriamente il corpo dell'operatore.

**m) Pulire regolarmente le feritoie di ventilazione dell'elettrotensile in dotazione.** Il ventilatore del motore attira polvere nella carcassa ed una forte raccolta di polvere di metallo può provocare pericoli di origine elettrica.

**n) Mai utilizzare l'utensile elettrico nelle vicinanze di materiali infiammabili,** in quanto scintille potrebbero incendiare il materiale.

**o) Non utilizzare mai utensili elettrici che richiedono refrigeranti liquidi.** L'uso di acqua od altri refrigeranti liquidi possono causare scosse elettriche.

#### Contraccolpo e relative avvertenze di pericolo

Un contraccolpo è l'improvvisa reazione in seguito ad agganciamento oppure blocco di accessorio in rotazione come può essere un disco abrasivo, platorello, spazzola metallica ecc.. Agganciandosi oppure bloccandosi il portautensili o accessorio provoca un arresto improvviso della rotazione dello stesso. In questo caso l'operatore non è più in grado di controllare l'elettrotensile ed al punto di blocco si provoca un rimbalzo dello stesso che avviene nella direzione opposta a quella della rotazione del portautensili o dell'accessorio.

Se p. es. un disco abrasivo resta agganciato o bloccato nel pezzo in lavorazione, il bordo del disco abrasivo che si abbassa nel pezzo in lavorazione può rimanere impigliato provocando in questo modo una rottura oppure un contraccolpo del disco abrasivo. Il disco abrasivo si avvicina o si allontana dall'operatore a seconda della direzione di rotazione che ha nel momento in cui si blocca. In tali situazioni è possibile che le mole abrasive possano anche rompersi.

Un contraccolpo è la conseguenza di un utilizzo non appropriato oppure non corretto dell'elettrotensile. Esso può essere evitato soltanto prendendo misure adeguate di sicurezza come dalla descrizione che segue.

**a) Tenere sempre ben saldo l'elettrotensile e portare il proprio corpo e le proprie braccia in una posizione che Vi permetta di compensare le forze di contraccolpo. Se disponibile, utilizzare sempre l'impugnatura supplementare in modo da poter avere sempre il maggior controllo possibile su forze di contraccolpi oppure momenti di reazione che si sviluppano**

**durante la fase in cui la macchina raggiunge il regime di pieno carico.** Prendendo appropriate misure di precauzione l'operatore può essere in grado di tenere sotto controllo le forze di contraccolpo e quelle di reazione a scatti.

**b) Mai avvicinare l'ap- pria mano alla zona degli utensili in rotazione.** Nel corso dell'azione di contraccolpo il portautensili o accessorio potrebbe passare sulla Vostra mano.

**c) Evitare di avvicinarsi con il proprio corpo alla zona in cui l'elettrotensile viene mosso in caso di un contraccolpo.** Un contraccolpo provoca uno spostamento improvviso dell'elettrotensile che si sviluppa nella direzione opposta a quella della rotazione della mola abrasiva al punto di blocco.

**d) Operare con particolare attenzione in prossimità di spigoli, spigoli taglienti ecc..** Avere cura di impedire che portautensili o accessori possano rimbalzare dal pezzo in lavorazione oppure possano rimanervi bloccati. L'utensile in rotazione ha la tendenza a rimanere bloccato in angoli, spigoli taglienti oppure in caso di rimbalzo. Ciò provoca una perdita del controllo oppure un contraccolpo.

**e) Non utilizzare una lama a catena oppure dentata.** Utensili di questo tipo causano spesso contraccolpi oppure comportano la perdita del controllo sull'utensile elettrico.

#### Avvertenze di pericolo specifiche per operazioni di lucidatura

**a) Evitare assolutamente che parti della cappa lucidatura restino staccate e prestare in modo particolare attenzione alle cordicelle di fissaggio. Raccogliere per bene oppure tagliare le cordicelle di fissaggio ad una lunghezza adatta.** Cordicelle di fissaggio che girino con la cappa possono far presa sulle dita dell'operatore oppure rimanere impigliate nel pezzo in lavorazione.

#### Avvertenze di pericolo specifiche per lavori di levigatura con carta vetro

**a) Non utilizzare mai fogli abrasivi troppo grandi ma attenersi alle indicazioni del rispettivo produttore relative alle dimensioni dei fogli abrasivi.** Fogli abrasivi che dovessero sporgere oltre il platorello possono provocare incidenti oppure blocchi, strappi dei fogli abrasivi oppure contraccolpi.

#### Ulteriori avvisi di sicurezza e di lavoro

Smerigliando metalli si producono scintille. Attenzione a non mettere in pericolo l'incolumità di persone. Per via del pericolo di incendio, nessun tipo di materiale infiammabile può trovarsi nelle vicinanze (potenziale raggio delle scintille). Non utilizzare aspirapolveri.

Evitare che le scintille o la polvere prodotta durante la smerigliatura entrino in contatto con il corpo.

Quando l'utensile è in funzione, tenersi sempre ad una distanza di sicurezza.

Disinserire immediatamente la macchina in caso che si verificano delle forti oscillazioni oppure se si riscontrano altri difetti. Controllare la macchina per cercare di identificarne le cause.

Non rimuovere trucioli o schegge mentre l'utensile è in funzione.

Non gettare le batterie esaurite sul fuoco o nella spazzatura di casa. La Milwaukee offre infatti un servizio di recupero batterie usate.

Nel vano d'innesto per la batteria del caricatore non devono entrare parti metalliche.(pericolo di cortocircuito).

Le batterie del System C12 sono ricaricabili esclusivamente con i caricatori del System C12. Le batterie di altri sistemi non possono essere ricaricate.

Non aprire nè la batteria nè il caricatore e conservarli solo in luogo asciutto. Proteggerli dalla umidità.

Nel caso di batterie danneggiate da un carico eccessivo o da temperature alte, l'acido di queste potrebbe fuoriuscire. In caso di contatto con l'acido delle batterie lavarsi immediatamente con acqua e sapone. In caso di contatto con gli occhi risciacquare immediatamente con acqua per almeno 10 minuti e contattare subito un medico.

**Attenzione!** Per ridurre il rischio d'incendio, di lesioni o di danni al prodotto causati da corto circuito, non immergere mai l'utensile, la

batteria ricaricabile o il carica batterie in un liquido e non lasciare mai penetrare alcun liquido all'interno dei dispositivi e delle batterie. I fluidi corrosivi o conduttori come acqua salata, alcuni agenti chimici, agenti candeggianti o prodotti contenenti agenti candeggianti potrebbero provocare un corto circuito.

#### UTILIZZO CONFORME

La smerigliatrice/lucidatrice è idonea per smerigliare e lucidare vernici, rivestimenti, plastiche o altre superfici lisce.

In caso di dubbi vanno rispettate indicazioni dei produttori degli accessori.

L'utensile elettrico è idoneo esclusivamente alla lavorazione a secco.

#### ISTRUZIONI DI LAVORO

Utilizzare sempre l'impugnatura laterale.

Il pezzo in lavorazione deve essere ben bloccato in posizione a meno che non resti stabile per via del proprio peso. Mai applicare a mano sulla mola il pezzo in lavorazione.

#### MANUTENZIONE

Tener sempre ben pulite le fessure di ventilazione dell'apparecchio. Utilizzare esclusivamente accessori e pezzi di ricambio Milwaukee. L'installazione di pezzi di ricambio non specificamente prescritti dall'Milwaukee va preferibilmente effettuata dal servizio di assistenza clienti Milwaukee (ved. opuscolo Garanzia/Indirizzi Assistenza tecnica).

In caso di mancanza del disegno esploso, può essere richiesto al seguente indirizzo: Techtronic Industries GmbH, Max-Eyth-Straße 10, 71364 Winnenden, Germany.

#### DICHIARAZIONE DI CONFORMITÀ CE

Dichiaro sotto la nostra esclusiva responsabilità che il prodotto descritto ai "Dati tecnici" corrisponde a tutte le disposizioni delle direttive 2011/65/EU (RoHS), 2014/30/UE, 2006/42/CE e successivi documenti normativi armonizzati:

EN 60745-1-2009+A11:2010

EN 60745-2-3:2011 + A2:2013

EN 55014-1:2006+A1:2009+A2:2011

EN 55014-2:2015

EN 50581:2012

Winnenden, 2017-11-30

Alexander Krug  
Managing Director



Autorizzato alla preparazione della documentazione tecnica

Techtronic Industries GmbH  
Max-Eyth-Straße 10  
71364 Winnenden  
Germany

#### BATTERIE

Batterie non utilizzate per molto tempo devono essere ricaricate prima dell'uso.

A temperature superiori ai 50°C, la potenza della batteria si riduce.

Evitare di esporre l'accumulatore a surriscaldamento prolungato, dovuto ad esempio ai raggi del sole o ad un impianto di riscaldamento.

Per una ottimale vita utile è necessario ricaricare completamente le batterie dopo l'uso.

Per una più lunga durata, rimuovere le batterie dal caricabatterie quando saranno cariche.

In caso di immagazzinaggio della batteria per più di 30 giorni: Immagazzinare la batteria a circa 27°C in ambiente asciutto. Immagazzinare la batteria con carica di circa il 30% - 50%.

Ricaricare la batteria ogni 6 mesi.

#### TRASPORTO DI BATTERIE AGLI IONI DI LITIO

Le batterie agli ioni di litio sono soggette alle disposizioni di legge sul trasporto di merce pericolosa.

Il trasporto di queste batterie deve avvenire rispettando le disposizioni e norme locali, nazionali ed internazionali.

- Gli utilizzatori possono trasportare queste batterie su strada senza alcuna restrizione.
- Il trasporto commerciale di batterie agli ioni di litio è regolato dalle disposizioni sul trasporto di merce pericolosa. Le preparazioni al trasporto ed il trasporto stesso devono essere svolti esclusivamente da persone idoneamente istruite. Tutto il processo deve essere gestito in maniera professionale.

Durante il trasporto di batterie occorre tenere conto di quanto segue:

- Assicurarsi che i contatti siano protetti ed isolati per evitare corto circuiti.
- Accertarsi che il gruppo di batterie non possa spostarsi all'interno dell'imballaggio.
- Batterie danneggiate o batterie che perdono liquido non devono essere trasportate.

Per ulteriori informazioni si prega di contattare il proprio trasportatore.

#### Simboli



ATTENZIONE! AVVERTENZA!  
PERICOLO!



Prima di iniziare togliere la batteria dalla macchina.



Leggere attentamente le istruzioni per l'uso prima di mettere in funzione l'elettrotensile.



Durante l'uso dell'apparecchio utilizzare sempre gli occhiali di protezione.



Indossare guanti protettivi!



I dispositivi elettrici, le batterie e le batterie ricaricabili non devono essere smaltiti con i rifiuti domestici. I dispositivi elettrici e le batterie devono essere raccolti separatamente e devono essere conferiti ad un centro di riciclaggio per lo smaltimento rispettoso dell'ambiente. Chiedere alle autorità locali o al rivenditore specializzato dove si trovano i centri di riciclaggio e i punti di raccolta.



Marchio CE

ØPmax = 76 mm

Massima potenza di lucidatura

ØSmax = 51 mm

Massima potenza di levigatura



Simbolo di conformità nazionale Ucraina



Marchio di conformità EurAsian

DATOS TÉCNICOS	
<b>Pulidora / Lijadora</b>	
Número de producción	M12 BPS 4477 93 03... ...000001-999999
Voltaje de batería	12 V
Revoluciones nominales 1ª velocidad	0-2800 min <sup>-1</sup>
Revoluciones nominales 2ª velocidad	0-8300 min <sup>-1</sup>
Diámetro del disco de pulido	76 mm
Diámetro del disco de amolar	51 mm
Rosca de eje de trabajo	M9x0,75
Peso de acuerdo con el procedimiento EPTA 01/2003 (2,0 Ah)	1,0 kg
Peso de acuerdo con el procedimiento EPTA 01/2003 (4,0 Ah)	1,2 kg
<b>Información sobre ruidos / vibraciones</b>	
Determinación de los valores de medición según norma EN 60 745. El nivel de ruido típico del aparato determinado con un filtro A corresponde a:	
Presión acústica (Tolerancia K=3dB(A))	68,24 dB(A)
Resonancia acústica (Tolerancia K=3dB(A))	79,20 dB(A)
<b>Usar protectores auditivos!</b>	
Nivel total de vibraciones (suma vectorial de tres direcciones) determinado según EN 60745.	
pulido	
Valor de vibraciones generadas a <sub>n,p</sub>	2,95 m/s <sup>2</sup>
Tolerancia K	1,83 m/s <sup>2</sup>
esmerilado con papel de lija	
Valor de vibraciones generadas a <sub>n,DS</sub>	2,3 m/s <sup>2</sup>
Tolerancia K	1,5 m/s <sup>2</sup>

## ADVERTENCIA

El nivel vibratorio indicado en estas instrucciones ha sido medido conforme a un método de medición estandarizado en la norma EN 60745, y puede utilizarse para la comparación entre herramientas eléctricas. También es apropiado para una estimación provisional de la carga de vibración.

El nivel vibratorio indicado representa las aplicaciones principales de la herramienta eléctrica. Si, pese a ello, se utiliza la herramienta eléctrica para otras aplicaciones, con útiles adaptables diferentes o con un mantenimiento insuficiente, el nivel vibratorio puede diferir. Esto puede incrementar sensiblemente la carga de vibración durante todo el periodo de trabajo.

Para una estimación exacta de la carga de vibración deberían tenerse en cuenta también los tiempos durante los que el aparato está apagado o, pese a estar en funcionamiento, no está siendo realmente utilizado. Esto puede reducir sustancialmente la carga de vibración durante todo el periodo de trabajo.

Adopte medidas de seguridad adicionales para la protección del operador frente al efecto de las vibraciones, como por ejemplo: mantenimiento de la herramienta eléctrica y de los útiles adaptables, mantener las manos calientes, organización de los procesos de trabajo.

**⚠ ATENCIÓN: Lea atentamente las indicaciones e instrucciones de seguridad.** En caso de no atenderse a las advertencias de peligro e instrucciones siguientes, ello puede ocasionar una descarga eléctrica, un incendio y/o lesión grave. **Guardar todas las advertencias de peligro e instrucciones para futuras consultas.**

## ⚠ INSTRUCCIONES DE SEGURIDAD DE LA MÁQUINA PULIDORA/LIJADORA

Advertencias de peligro generales al realizar trabajos lijarse y pulir:

**a) Esta herramienta eléctrica ha sido concebida para pulir y lijarse. Observe todas las advertencias de peligro, instrucciones, ilustraciones y especificaciones técnicas que se suministran con la herramienta eléctrica.** En caso de no atenderse a las instrucciones siguientes, ello puede provocar una electrocución, incendio y/o lesiones serias.

**b) Esta herramienta eléctrica no es adecuada para tronzo y rectificado de desbaste y trabajar con cepillo de alambre.** El uso de la herramienta para un fin no previsto puede conllevar riesgos y causar heridas.

**c) No emplee accesorios diferentes de aquellos que el fabricante haya previsto o recomendado especialmente para esta herramienta eléctrica.** El mero hecho de que sea acoplable un accesorio a su herramienta eléctrica no implica que su utilización resulte segura.

**d) Las revoluciones admisibles del útil deberán ser como mínimo iguales a las revoluciones máximas indicadas en la**

**rilla antipolvo, protectores auditivos, guantes de protección o un mandil especial adecuado para protegerle de los pequeños fragmentos que pudieran salir proyectados al desprenderse del útil o pieza.** Las gafas de protección deberán ser indicadas para protegerle de los fragmentos que pudieran salir despedidos al trabajar. La mascarilla antipolvo o respiratoria deberá ser apta para filtrar las partículas producidas al trabajar. La exposición prolongada al ruido puede provocar sordera.

**i) Preste atención a que otras personas se encuentren a una distancia segura referente a su campo de trabajo. Cada persona que pase a su campo de trabajo, tiene que usar un equipo protector personal.** Trozos de la pieza por trabajar o de herramientas intercambiables rotas pueden volar y causar lesiones también fuera del campo de trabajo directo.

**j) Sujete el aparato de las superficies aisladas de agarre al efectuar trabajos en los cuales la perforadora de percusión pueda entrar en contacto con conductores de corriente ocultos.** El contacto con conductores portadores de tensión puede hacer que las partes metálicas del aparato le provoquen una descarga eléctrica.

**k) No deposite jamás la herramienta eléctrica antes de que la herramienta intercambiable haya dejado de girar por completo.** La herramienta intercambiable que aún está girando puede entrar en contacto con la superficie de deposición, con lo que usted puede perder el control sobre la herramienta eléctrica.

**l) No deje funcionar la herramienta eléctrica mientras la transporta.** El útil en funcionamiento podría lesionarle al engancharse accidentalmente con su vestimenta.

**m) Limpie periódicamente las rejillas de refrigeración de su herramienta eléctrica.** El ventilador del motor aspira polvo hacia el interior de la carcasa, por lo que, en caso de una acumulación fuerte de polvo metálico, ello puede provocarle una descarga eléctrica.

**n) No use la herramienta eléctrica en las cercanías de materiales inflamables.** Las chispas pueden encender estos materiales.

**o) No use herramientas intercambiables que requieran de líquidos refrigerantes.** El uso de agua o de otros líquidos refrigerantes pueden llevar a una electrocución.

## Causas del rechazo y advertencias al respecto

El rechazo es un reacción brusca que se produce al atascarse o engancharse el útil, como un disco de amolar, plato lijador, cepillo, etc. Al atascarse o engancharse el útil en funcionamiento, éste es frenado bruscamente. Ello puede hacerle perder el control sobre la herramienta eléctrica y hacer que ésta salga impulsada en dirección opuesta al sentido de giro que tenía el útil.

En el caso, p. ej., de que un disco amolador se atasque o bloquee en la pieza de trabajo, puede suceder que el canto del útil que penetra en el material se enganche, provocando la rotura del útil o el rechazo del aparato. Según el sentido de giro y la posición del útil en el momento de bloquearse puede que éste resulte despedido hacia, o en sentido opuesto al usuario. En estos casos puede suceder que el útil incluso llegue a romperse.

El rechazo es ocasionado por la aplicación o manejo incorrecto de la herramienta eléctrica. Es posible evitarlo ateniéndose a las medidas preventivas que a continuación se detallan.

**a) Sujete con firmeza la herramienta eléctrica y mantenga su cuerpo y brazos en una posición propicia para resistir las fuerzas de reacción.** Si forma parte del aparato, utilice siempre la empuñadura adicional para poder soportar mejor las fuerzas del rechazo, además de los pares de reacción que se presentan en la puesta en marcha. El usuario puede controlar las fuerzas del rechazo y de reacción si toma unas medidas preventivas oportunas.

**b) Jamás aproxime su mano al útil en funcionamiento.** En caso de un rechazo, el útil podría lesionarle la mano.

**c) No se sitúe dentro del área hacia el que se movería la herramienta eléctrica al ser rechazada.** Al resultar rechazada, la herramienta eléctrica saldrá despedida desde el punto de bloqueo en dirección opuesta al sentido de giro del útil.

**d) Tenga especial precaución al trabajar esquinas, cantos afilados, etc. Evite que el útil de amolar rebote contra la pieza**

**de trabajo o que se atasque.** En las esquinas, cantos afilados, o al rebotar, el útil en funcionamiento tiende a atascarse. Ello puede hacerle perder el control o causar un rechazo del útil.

**e) No use hojas de cadena cortante o dentadas.** Estas herramientas intercambiables generan con frecuencia un contragolpe o la pérdida del control sobre la herramienta eléctrica.

## Instrucciones de seguridad específicas para pulido

**a) Evite partes sueltas en la caperuzas para pulir, especialmente el cordón de sujeción. Recoja o corte los cabos del cordón de sujeción.** Los cabos del cordón pueden engancharse con sus dedos o en la pieza de trabajo.

## Instrucciones de seguridad específicas para trabajos con hojas lijadoras

**a) No use hojas lijadoras más grandes que el soporte, ateniéndose para ello a las dimensiones que el fabricante recomienda.** Las hojas lijadoras de un diámetro mayor que el plato lijador pueden provocar un accidente, fisurarse, o provocar un rechazo.

## Instrucciones adicionales de seguridad y laborales

Al amolar metales se proyectan chispas. Cuidar de no poner en peligro a personas. Debido al peligro de incendio no deben encontrarse cerca (en el área de alcance de las chispas) materiales inflamables. No utilice extracción de polvo en este caso.

Evite que chispas y polvo de pulido puedan alcanzar el cuerpo.

No manipular en el rodillo ni en las cuchillas con la máquina conectada.

Desconectar inmediatamente el aparato al presentarse vibraciones fuertes u otras anomalías. Examine la máquina para determinar las posibles causas.

Nunca se debe intentar limpiar el polvo o viruta procedente del taladrado con la máquina en funcionamiento.

No tire las baterías usadas a la basura ni al fuego. Los Distribuidores Milwaukee ofrecen un servicio de recogida de baterías antiguas para proteger el medio ambiente.

No almacene la batería con objetos metálicos (riesgo de cortocircuito).

Recargar solamente los acumuladores del Sistema C12 en cargadores C12. No intentar recargar acumuladores de otros sistemas.

No abra nunca las baterías ni los cargadores y guárdelos sólo en lugares secos. Protéjalos de la humedad en todo momento.

En caso de sobrecarga o alta temperatura, pueden llegar a producirse escapes de ácido provenientes de la batería. En caso de contacto con éste, limpie inmediatamente la zona con agua y jabón. Si el contacto es en los ojos, límpiese concienzudamente con agua durante 10 minutos y acuda inmediatamente a un médico.

**Advertencia!** Para reducir el riesgo de incendio, lesión personales y daños al producto debido a un cortocircuito, no sumerja nunca la herramienta, el pa-quete de baterías o el cargador en líquido ni permita que fluya un fluido dentro de ellos. Los fluidos corrosivos o conductivos, como el agua de mar, ciertos productos químicos industriales y blanqueadores o lejías que contienen, etc., Pueden causar un cortocircuito.

## APLICACIÓN DE ACUERDO A LA FINALIDAD

El aparato de lijado y pulido sirve para lijarse y pulir lacados, barnices, plásticos y otras superficies

En caso de dudas, observar las indicaciones de los fabricantes de los accesorios.

La herramienta eléctrica sirve únicamente para el trabajo en seco

## INDICACIONES PARA EL TRABAJO

Emplear siempre el asidero adicional.

La pieza de trabajo debe fijarse adecuadamente, a no ser que se mantenga bien fija por su propio peso. Jamás mueva la pieza de trabajo con la mano contra el disco.



## MANTENIMIENTO

Las ranuras de ventilación de la máquina deben estar despejadas en todo momento.

Solo se deben utilizar accesorios y piezas de repuestos Milwaukee. Piezas cuyo recambio no está descrito en las instrucciones de uso, deben sustituirse en un centro de asistencia técnica Milwaukee (Consulte el folleto Garantía/Direcciones de Centros de Asistencia Técnica).

En caso necesario, puede solicitar un despiece de la herramienta. Por favor indique el número de impreso que hay en la etiqueta y pida el despiece a la siguiente dirección: Techtronic Industries GmbH, Max-Eyth-Straße 10, 71364 Winnenden, Germany.

## DECLARACION DE CONFORMIDAD CE

Declaramos bajo nuestra responsabilidad que el producto descrito bajo "Datos técnicos" está en conformidad con todas las normas relevantes de la directiva 2011/65/EU (RoHS), 2014/30/UE, 2006/42/CE y con las siguientes normas o documentos normalizados:

EN 60745-1:2009+A11:2010  
EN 60745-2-3:2011 + A2:2013  
EN 55014-1:2006+A1:2009+A2:2011  
EN 55014-2:2015  
EN 50581:2012

Winnenden, 2017-11-30



Alexander Krug  
Managing Director



Autorizado para la redacción de los documentos técnicos.

Techtronic Industries GmbH  
Max-Eyth-Straße 10  
71364 Winnenden  
Germany

## BATERIA

Las baterías no utilizadas durante cierto tiempo deben ser recargadas antes de usar.

Las temperaturas superiores a 50°C reducen el rendimiento de la batería. Evite una exposición excesiva a fuentes de calor o al sol (riesgo de sobrecalentamiento).

Los puntos de contacto de los cargadores y las baterías se deben mantener limpios.

Para un tiempo óptimo de vida, deberán cargarse las baterías completamente después de su uso.

Para garantizar la máxima capacidad y vida útil, las baterías recargables se deberían retirar del cargador una vez finalizada la carga.

En caso de almacenar la batería recargable más de 30 días:

Almacenar la batería recargable en un lugar seco a una temperatura de aproximadamente 27°C.

Almacenar la batería recargable con un estado de carga del 30% y 50% aproximadamente.

Recargar la batería cada 6 meses.

## TRANSPORTE DE BATERÍAS DE IONES DE LITIO

Las baterías de iones de litio caen bajo las disposiciones legales relativas al transporte de mercancías peligrosas.

El transporte de estas baterías recargables debe llevarse a cabo, observando las normas y disposiciones locales, nacionales e internacionales.

- Los consumidores pueden transportar estas baterías recargables sin el menor reparo en la calle.
- El transporte comercial de baterías recargables de iones de litio por empresas de transportes está sometido a las disposiciones del transporte de mercancías peligrosas. Las preparaciones para el envío y el transporte deben ser llevados a cabo exclusivamente por personas instruidas adecuadamente. El proceso completo debe ser supervisado por personal competente.

Los siguientes puntos se deben observar para el transporte de las baterías recargables:

- Se debe asegurar que los contactos estén protegidos y aislados para evitar que se produzcan cortocircuitos.
- Preste atención a que el conjunto de baterías recargables no se pueda desplazar dentro del envase.
- Las baterías recargables deterioradas o derramadas no se deben transportar.

Rogamos que para cualquier información adicional se dirija a su empresa de transportes.

## SÍMBOLOS



¡ATENCIÓN! ¡ADVERTENCIA! ¡PELIGRO!



Retire la batería antes de comenzar cualquier trabajo en la máquina.



Lea las instrucciones detenidamente antes de conectar la herramienta



Para trabajar con la máquina, utilizar siempre gafas de protección.



Usar guantes protectores



Los electrodomésticos y las baterías/acumuladores no se deben eliminar junto con la basura doméstica.

Los aparatos eléctricos y los acumuladores se deben recoger por separado y se deben entregar a una empresa de reciclaje para una eliminación respetuosa con el medio ambiente. Infórmese en las autoridades locales o en su tienda especializada sobre los centros de reciclaje y puntos de recogida.



Marca CE

ØPmax = 76 mm

Potencia máxima de pulido

ØSmax = 51 mm

Potencia máxima de lijado



Marca de conformidad nacional de Ucrania



certificado EAC de conformidad

## CARACTERÍSTICAS TÉCNICAS

### Politriz/Lixadeira

	M12 BPS
Número de produção	4477 93 03... ...000001-999999
Tensão do acumulador	12 V
Número de rotações nominal na 1ª velocidade	0-2800 min <sup>-1</sup>
Número de rotações nominal na 2ª velocidade	0-8300 min <sup>-1</sup>
Diâmetro do disco de polimento	76 mm
Diâmetro do disco de lixa	51 mm
Rosca do veio de trabalho	M9x0,75
Peso nos termos do procedimento-EPTA 01/2003 (2,0 Ah)	1,0 kg
Peso nos termos do procedimento-EPTA 01/2003 (4,0 Ah)	1,2 kg
<b>Informações sobre ruído/vibração</b> Valores de medida de acordo com EN 60 745. O nível de ruído avaliado A do aparelho é tipicamente: Nível da pressão de ruído (Incertez K=3dB(A)) Nível da potência de ruído (Incertez K=3dB(A)) <b>Use protectores auriculares!</b> Valores totais de vibração (soma dos vectores das três direcções) determinadas conforme EN 60745. Polir Valor de emissão de vibração a <sub>n,P</sub> Incerteza K Lixar Valor de emissão de vibração a <sub>n,DS</sub> Incerteza K	68,24 dB(A) 79,20 dB(A)  2,95 m/s <sup>2</sup> 1,83 m/s <sup>2</sup>  2,3 m/s <sup>2</sup> 1,5 m/s <sup>2</sup>

## ATENÇÃO

O nível vibratório indicado nestas instruções foi medido em conformidade com um procedimento de medição normalizado na EN 60745 e pode ser utilizado para comparar entre si ferramentas eléctricas. O mesmo é também adequado para avaliar provisoriamente o esforço vibratório.

O nível vibratório indicado representa as principais aplicações da ferramenta eléctrica. Se, no entanto, a ferramenta eléctrica for utilizada para outras aplicações, com outras ferramentas adaptadas ou uma manutenção insuficiente, o nível vibratório poderá divergir. Isto pode aumentar consideravelmente o esforço vibratório ao longo de todo o período do trabalho.

Para uma avaliação exacta do esforço vibratório devem também ser considerados os tempos durante os quais o aparelho está desligado ou está a funcionar, mas não está efectivamente a ser utilizado. Isto pode reduzir consideravelmente o esforço vibratório ao longo de todo o período do trabalho.

Defina medidas de segurança suplementares para proteger o operador do efeito das vibrações, como por exemplo: manutenção da ferramenta eléctrica e das ferramentas adaptadas, manter as mãos quentes, organização das seqüências de trabalho.

**⚠ ADVERTÊNCIA! Leia todas as instruções de segurança e todas as instruções.** O desrespeito das advertências e instruções apresentadas abaixo pode causar choque eléctrico, incêndio e/ou graves lesões.  
**Guarde bem todas as advertências e instruções para futura referência.**

## ⚠ INSTRUÇÕES DE SEGURANÇA POLITRIZ/LIXADEIRA

Indicações de aviso gerais para lixar com lixa de papel e polir:

- Esta ferramenta eléctrica pode ser utilizada como polir e lixadeira com lixa de papel. Observar todas as indicações de aviso, instruções, apresentações e dados fornecidos com a ferramenta eléctrica. O desrespeito das seguintes instruções pode levar a um choque eléctrico, incêndio e/ou graves lesões.
- Esta ferramenta eléctrica não é adequada para rectificação de corte e desbaste e escovas de arame. Utilizações, para as quais a máquina não tenha sido prevista, podem causar perigos e ferimentos.
- Não utilizar acessórios, que não foram especialmente previstos e recomendados pelo fabricante para serem utilizados com esta ferramenta eléctrica. O facto de poder fixar o acessório a esta ferramenta eléctrica, não garante uma aplicação segura.
- As rotações admissíveis da ferramenta de trabalho devem ser pelo menos tão elevadas como as rotações

máximas indicadas na ferramenta eléctrica. Os acessórios que rodam mais rapidamente do que o permitido podem partir-se e ser projectados.

**e) O diâmetro exterior e a espessura da ferramenta de trabalho devem corresponder às dimensões da sua ferramenta eléctrica.** As ferramentas eléctricas com as dimensões erradas não podem ser suficientemente protegidas ou controladas.

**f) A rosca dos acessórios deve corresponder com a rosca no fuso de lixar. Nos acessórios montados com ajuda de um flange, o furo do acessório deve corresponder com o diâmetro do FLANGE.** Acessórios que não cabem no aparelho não operam correctamente, vibram muito forte e podem levar à perda do controlo sobre o aparelho.

**g) Não utilizar ferramentas de trabalho danificadas. Antes de cada utilização deverá controlar as ferramentas de trabalho, e verificar se por exemplo os discos abrasivos apresentam fissuras e estilhaços, se pratos abrasivos apresentam fissuras, se há desgaste ou forte atrição, se as escovas de arame apresentam arames soltos ou quebrados. Se a ferramenta eléctrica ou a ferramenta de trabalho cair, deverá verificar se sofreram danos, ou trocar por uma ferramenta de trabalho intacta. Após ter controlado e introduzido a ferramenta de trabalho, deverá manter-se, e as pessoas que se encontrem nas proximidades, fora do nível de rotação da ferramenta de trabalho e permitir que a ferramenta eléctrica funcione durante um minuto com o máximo número de rotação. A maioria das ferramentas de trabalho danificadas quebram durante este período de teste.**

h) Utilizar um equipamento de protecção pessoal. De acordo com a aplicação, deverá utilizar uma protecção para todo o rosto, protecção para os olhos ou um óculos protector. Se for necessário, deverá utilizar uma máscara contra pó, protecção auricular, luvas de protecção ou um avental especial, para proteger-se de pequenas partículas de amoladura e de material. Os olhos devem ser protegidos contra partículas a voar, produzidas durante as diversas aplicações. A máscara contra pó ou a máscara de respiração deve ser capaz de filtrar o pó produzido durante a respectiva aplicação. Se for sujeito durante longo tempo a fortes ruídos, poderá sofrer a perda da capacidade auditiva.

i) Quanto às outras pessoas, preste atenção a uma distância segura em relação à sua área de trabalho. Qualquer pessoa que aceda à área de trabalho deve usar equipamento de protecção pessoal. Os fragmentos do material a trabalhar das ferramentas de trabalho partidas podem voar e provocar ferimentos, mesmo fora da área de trabalho directa.

j) Segure o aparelho nas superfícies de punho isoladas se estiver a executar trabalhos, nos quais a ferramenta de corte pode tocar em linhas eléctricas escondidas. O contacto com um conduto sob corrente também pode aplicar tensões em peças metálicas do aparelho e levar a um choque eléctrico.

k) Nunca pouse a ferramenta eléctrica antes de a ferramenta de trabalho parar completamente. A ferramenta de trabalho rotativa pode entrar em contacto com a área de apoio, podendo perder o controlo sobre a ferramenta eléctrica.

l) Não permitir que a ferramenta eléctrica funcione enquanto estiver a transportá-la. A sua roupa pode ser agarrada devido a um contacto accidental com a ferramenta de trabalho em rotação, de modo que a ferramenta de trabalho possa ferir o seu corpo.

m) Limpar regularmente as aberturas de ventilação da sua ferramenta eléctrica. A ventoinha do motor puxa pó para dentro da carcaça, e uma grande quantidade de pó de metal pode causar perigos eléctricos.

n) Não utilize a ferramenta eléctrica perto de materiais inflamáveis. As faíscas podem inflamar estes materiais.

o) Não utilize ferramentas de trabalho que precisam de líquidos de refrigeração líquidos. A utilização de água ou outros líquidos de refrigeração líquidos pode provocar um choque eléctrico.

#### Contra-golpe e respectivas advertências

Contra-golpe é uma repentina reacção devido a uma ferramenta de trabalho travada ou bloqueada, como por exemplo um disco abrasivo, um prato abrasivo, uma escova de arame etc. Um travamento ou um bloqueio levam a uma parada abrupta da ferramenta de trabalho em rotação. Desta maneira, uma ferramenta eléctrica descontrolada pode ser acelerada no local de bloqueio, sendo forçada no sentido contrário da rotação da ferramenta de trabalho.

Se por exemplo um disco abrasivo travar ou bloquear numa peça a ser trabalhada, o canto do disco abrasivo pode mergulhar na peça a ser trabalhada e encravar-se, quebrando o disco abrasivo ou causando um contra-golpe. O disco abrasivo se movimenta então no sentido do operador ou para longe deste, dependendo do sentido de rotação do disco no local do bloqueio. Sob estas condições os discos abrasivos também podem partir-se.

Um contra-golpe é a consequência de uma utilização incorrecta ou indevida da ferramenta eléctrica. Ele pode ser evitado por apropriadas medidas de precaução como descrito a seguir.

a) Segurar firmemente a ferramenta eléctrica e posicionar o seu corpo e os braços de modo que possa resistir às forças de um contra-golpe. Sempre utilizar o punho adicional, se existente, para assegurar o máximo controlo possível sobre as forças de um contra-golpe ou sobre momentos de reacção durante o arranque. O operador pode controlar as forças de contra-golpe e as forças de reacção através de medidas de precaução apropriadas.

b) Jamais permita que as suas mãos se encontrem perto de ferramentas de trabalho em rotação. No caso de um contra-golpe a ferramenta de trabalho poderá passar pela sua mão.

c) Evite que o seu corpo se encontre na área, na qual a ferramenta eléctrica possa ser movimentada no caso de um contra-golpe. O contra-golpe força a ferramenta eléctrica no sentido contrário ao movimento do disco abrasivo no local do bloqueio.

d) Trabalhar com especial cuidado na área ao redor de esquinas, cantos afiados etc. Evite que ferramentas de trabalho sejam ricocheteadas e travadas pela peça a ser trabalhada. A ferramenta de trabalho em rotação tende a travar em esquinas, em cantos afiados ou se for ricocheteada. Isto causa uma perda de controlo ou um contra-golpe.

e) Não utilize lâminas de corrente ou lâminas de serra dentadas. Estas ferramentas de trabalho provocam frequentemente uma repercussão ou a perda do controlo sobre a ferramenta eléctrica.

#### Indicações especiais de aviso para polir

a) Não permitir que hajam partes soltas da boina de polimento, principalmente cordões de fixação. Os cordões de fixação devem ser bem armados ou cortados. Cordões de fixação soltos e em rotação podem agarrar os seus dedos ou prenderem na peça a ser trabalhada.

#### Advertências especiais de segurança específicas para lixar com lixa de papel

a) Não utilizar lixas de papel demasiado grandes, mas sempre seguir as indicações do fabricante sobre o tamanho correcto das lixas de papel. Lixas de papel, que sobressaem dos cantos do prato abrasivo, podem causar lesões, assim como bloquear e rasgar as lixas de papel ou levar a um contra-golpe.

#### Instruções de segurança e trabalho suplementares

Ao lixar metais, voam faíscas. Observe que ninguém seja posto em perigo. Devido ao perigo de incêndio não devem encontrar-se materiais inflamáveis nas proximidades (área de vóte de faíscas). Não utilize sistema de extracção de poeiras. Evitar o contacto de faíscas e pó de lixar com o corpo.

Manter as mãos fora da zona de perigo das lâminas em rotação!

Desligar imediatamente o aparelho, se ocorrerem grandes oscilações ou se forem observadas outras avarias. Controlar a máquina para determinar a causa.

Não remover aparas ou lascas enquanto a máquina trabalha.

Não queimar acumuladores gastos nem deitá-los no lixo doméstico. A Milwaukee possui uma eliminação de acumuladores gastos que respeita o meio ambiente.

Não guardar acumuladores junto com objectos metálicos (perigo de curto-circuito).

Use apenas carregadores do Sistema C12 para recarregar os acumuladores do Sistema C12. Não utilize acumuladores de outros sistemas.

Carregadores só devem ser utilizados em recintos secos.

Em caso de cargas ou temperaturas extremas, um acumulador de substituição danificado poderá verter líquido de bateria. Se entrar em contacto com este líquido, deverá lavar-se imediatamente com água e sabão. Em caso de contacto com os olhos, enxagúe-os bem e de imediato durante pelo menos 10 minutos e consulte um médico o mais depressa possível.

**Advertência!** Para evitar o risco de incêndio, de feridas ou de danificação do produto causado por um curto-circuito, não imerja a bateria intercambiável ou o carregador em líquidos e assegure-se de que líquidos não penetrem nos aparelhos ou nas baterias. Líquidos corrosivos ou condutivos como água salgada, determinadas substâncias químicas ou produtos que contenham branqueadores podem causar um curto-circuito.

#### UTILIZAÇÃO AUTORIZADA

O aparelho de amolar e polir pode ser utilizado para amolar e polir pinturas, revestimentos, plásticos e outras superfícies lisas.

Em caso de dúvida, observe as indicações do fabricante dos acessórios.

A ferramenta só é apropriada para o processamento a seco.

#### DICAS DE TRABALHO

Utilizar sempre o punho lateral.

A peça a ser trabalhada deve ser fixada, caso não esteja firme devido ao seu peso próprio. Jamais conduzir a peça a ser trabalhada em direcção do disco com as mãos.

#### MANUTENÇÃO

Manter desobstruídos os rasgos de ventilação na carcaça da máquina.

Utilizar unicamente acessórios e peças sobressalentes da Milwaukee. Sempre que a substituição de um componente não tenha sido descrita nas instruções, será de toda a conveniência mandar executar esse trabalho a um Serviço de Assistência Milwaukee (veja o folheto Garantia/Endereços de Serviços de Assistência).

A pedido e mediante indicação da referência que consta da chapa de características da máquina, pode requerer-se um desenho explosivo da ferramenta eléctrica a: Techtronic Industries GmbH, Max-Eyth-Straße 10, 71364 Winnenden, Germany.

#### DECLARAÇÃO DE CONFORMIDADE CE

Declaramos sob responsabilidade exclusiva, que o produto descrito sob "Dados técnicos" corresponde com todas as disposições relevantes da diretiva 2011/65/EU (RoHS), 2014/30/UE, 2006/42/CE e dos seguintes documentos normativos harmonizados.

EN 60745-1:2009+A11:2010  
EN 60745-2-3:2011 + A2:2013  
EN 55014-1:2006+A1:2009+A2:2011  
EN 55014-2:2015  
EN 50581:2012

Winnenden, 2017-11-30

Alexander Krug

Managing Director

Autorizado a reunir a documentação técnica.

Techtronic Industries GmbH  
Max-Eyth-Straße 10  
71364 Winnenden  
Germany

#### ACUMULADOR

Acumuladores não utilizados durante algum tempo devem ser recarregados antes da sua utilização.

Temperaturas acima de 50°C reduzem a capacidade do bloco acumulador. Evitar exposição prolongada ao sol ou a caloríferos.

Manter limpos os contactos eléctricos no carregador e no bloco acumulador.

Para uma vida útil óptima das baterias, terá que carregá-las plenamente após a sua utilização.

Para assegurar uma vida útil longa, o pacote de bateria deve ser removido da carregadora depois do carregamento.

Se o pacote de bateria for armazenado por mais de 30 dias: Armazene o pacote de bateria com aprox. 27°C em um lugar seco.

Armazene o pacote de bateria com aprox. 30%-50% da carga completa.

Carregue o pacote de bateria novamente de 6 em 6 meses.

#### TRANSPORTE DE BATERIAS DE IÃO-LÍCIO

Baterias de ião-lítio estão sujeitas às disposições da legislação relativa às substâncias perigosas.

O transporte destas baterias deve ser efetuado de acordo com as disposições e os regulamentos locais, nacionais e internacionais.

- O utilizador pode efetuar o transporte rodoviário destas baterias sem restrições.
- O transporte comercial de baterias de ião-lítio por terceiros está sujeito aos regulamentos relativos às substâncias perigosas. A preparação do transporte e o transporte devem ser executados exclusivamente por pessoas instruídas e o processo deve ser acompanhado pelos especialistas correspondentes.

Observe o seguinte no transporte de baterias:

- Assegure-se de que os contactos terminais estejam protegidos e isolados para evitar um curto-circuito.
- Assegure-se de que o bloco da bateria esteja protegido contra movimentos na embalagem.
- Não transporte baterias danificadas ou que tenham fuga.

Para instruções mais detalhadas consulte a companhia de transportes

#### SYMBOLS



ATENÇÃO! PERIGO!



Antes de efectuar qualquer intervenção na máquina retirar o bloco acumulador.



Leia atentamente o manual de instruções antes de colocar a máquina em funcionamento.



Usar sempre óculos de protecção ao trabalhar com a máquina.



Use luvas de protecção!



Aparelhos eléctricos, baterias/acumuladores não devem ser jogados no lixo doméstico. Os aparelhos eléctricos e as baterias devem ser colectados separadamente e entregues a uma empresa de reciclagem para a eliminação correcta. Solicite informações sobre empresas de reciclagem e postos de colecta de lixo das autoridades locais ou do seu vendedor autorizado.



Marca CE

ØPmax = 76 mm

Potência máxima para polir

ØSmax = 51 mm

Potência máxima para lixar



Marca de conformidade nacional da Ucrânia



Marca de conformidade EurAsian.



TECHNISCHE GEGEVENS	M12 BPS
<b>Polijst-/Schuurmachine</b>	
Productienummer	4477 93 03... ...000001-999999
Spanning wisselakku	12 V
Nominaal toerental in stand 1	0-2800 min <sup>-1</sup>
Nominaal toerental in stand 2	0-8300 min <sup>-1</sup>
Diameter polijstschijf	76 mm
Diameter slijpschijf	51 mm
Asaansluiting	M9x0,75
Gewicht volgens de EPTA-procedure 01/2003 (2,0 Ah)	1,0 kg
Gewicht volgens de EPTA-procedure 01/2003 (4,0 Ah)	1,2 kg
<b>Geluids-/trillingsinformatie</b>	
Meetwaarden vastgesteld volgens EN 60 745. Het kenmerkende A-gewogen geluidsniveau van de machine bedraagt:	
Geluidsdruk niveau (Onzekerheid K=3dB(A))	68,24 dB(A)
Geluidsvermogen niveau (Onzekerheid K=3dB(A))	79,20 dB(A)
<b>Draag oorbeschermers!</b>	
Totale trillingswaarden (vectorsom van drie richtingebepaald volgens EN 60745.	
Polijsten	
Trillingsemisiewaarde a <sub>h,p</sub>	2,95 m/s <sup>2</sup>
Onzekerheid K	1,83 m/s <sup>2</sup>
Schuren	
Trillingsemisiewaarde a <sub>h,ds</sub>	2,3 m/s <sup>2</sup>
Onzekerheid K	1,5 m/s <sup>2</sup>

## WAARSCHUWING

De in deze aanwijzingen vermelde trillingsdruk is gemeten volgens een in EN 60745 genormeerde meetmethode en kan worden gebruikt voor de onderlinge vergelijking van apparaten. Hij is ook geschikt voor een voorlopige inschatting van de trillingsbelasting.

De aangegeven trillingsdruk geldt voor de meest gebruikelijke toepassingen van het elektrische apparaat. Wanneer het elektrische gereedschap echter voor andere doeleinden, met andere dan de voorgeschreven hulpstukken gebruikt of niet naar behoren onderhouden wordt, kan de trillingsdruk afwijken. Dit kan de waarde van de trillingsdruk over de hele werkperiode aanzienlijk verhogen.

Voor een nauwkeurige inschatting van de trillingsdruk moeten ook de tijden in aanmerking worden genomen dat het apparaat uitgeschakeld is of weliswaar loopt, maar niet werkelijk in gebruik is. Dit kan de waarde van de trillingsdruk over de hele werkperiode aanzienlijk verminderen.

Bepaal extra veiligheidsmaatregelen ter bescherming van de bediener tegen de inwerking van trillingen, bijvoorbeeld: onderhoud van elektrische gereedschappen en apparaten, warmhouden van de handen, organisatie van de werkprocessen.

**⚠ WAARSCHUWING! Lees alle veiligheidsinstructies en aanwijzingen.** Als de waarschuwingen en voorschriften niet worden opgevolgd, kan dit een elektrische schok, brand of ernstig letsel tot gevolg hebben.  
**Bewaar alle waarschuwingen en voorschriften voor toekomstig gebruik.**

## ⚠ VEILIGHEIDSLINSTRUCTIES POLIJST-/SCHUURMACHINE

Algemene waarschuwingen voor schuren en polijsten:

**a) Dit elektrische gereedschap is bestemd voor gebruik als polijstmachine en schuurmachine. Neem alle waarschuwingen, aanwijzingen, afbeeldingen en gegevens die u bij het elektrische gereedschap ontvangt in acht.** Als u de volgende aanwijzingen niet in acht neemt, kunnen een elektrische schok, brand en/of ernstig letsel het gevolg zijn.

**b) Dit elektrische gereedschap is niet geschikt voor doorslijpen en voorbewerken en werkzaamheden met draadborstels.** Ondoelmatig gebruik van dit elektrische gereedschap kan leiden tot gevaaren en persoonlijk letsel.

**c) Gebruik uitsluitend toebehoren dat door de fabrikant speciaal voor dit elektrische gereedschap is voorzien en geadviseerd.** Het feit dat u het toebehoren aan het elektrische gereedschap kunt bevestigen, waarborgt nog geen veilig gebruik.

**d) Het toelaatbare toerental van het inzetgereedschap moet minstens even hoog zijn als het maximale toerental dat op het elektrische gereedschap is aangegeven. Toebe-**

horen dat sneller draait dan toegestaan, kan breken en in het rond vliegen.

**e) De buitendiameter en de dikte van het inzetstuk dienen overeen te komen met de opgegeven maten van uw elektrische gereedschap.** Inzetstukken met de verkeerde afmetingen kunnen niet voldoende worden afgeschermd of gecontroleerd.

**f) De schroefdraad van het hulpstuk moet overeenstemmen met de schroefdraad van de slijpspil. Bij hulpstukken die met behulp van een flens worden gemonteerd, moet de boring van het hulpstuk overeenstemmen met de diameter van de FLENS.** Hulpstukken die niet op het apparaat passen, lopen niet rond, trillen te sterk en kunnen ertoe leiden dat u de controle over het apparaat verliest.

**g) Gebruik geen beschadigde inzetgereedschappen. Controleer voor het gebruik altijd inzetgereedschappen zoals slijpschijven op afsplinteringen en scheuren, steunschijven op scheuren of sterke slijtage en draadborstels op losse of gebroken draden. Als het elektrische gereedschap of het inzetgereedschap valt, dient u te controleren of het beschadigd is, of gebruik een onbeschadigd inzetgereedschap. Als u het inzetgereedschap hebt gecontroleerd en ingezet, laat u het elektrische gereedschap een minuut lang met het maximale toerental lopen. Daarbij dient u en dienen andere personen uit de buurt van het ronddraaiende inzetgereedschap te blijven. Beschadigde inzetgereedschappen breken meestal gedurende deze testtijd.**

**h) Draag persoonlijke beschermende uitrusting. Gebruik afhankelijk van de toepassing een volledige gezichts-**

**bescherming, oogbescherming of veiligheidsbril. Draag voor zover van toepassing een stofmasker, een gehoorbescherming, werkhandschoenen of een speciaal schort dat kleine slijp- en materiaaldeeltjes tegenhoudt.** Uw ogen moeten worden beschermd tegen wegvliegende deeltjes die bij verschillende toepassingen ontstaan. Een stof- of adembeschermingsmasker moet bij de toepassing ontstaande stof filteren. Als u lang wordt blootgesteld aan loud lawaai, kan uw gehoor worden beschadigd.

**i) Let erop dat andere personen op een veilige afstand van de werkplek blijven. Iedereen die de werkplek betreedt, dient persoonlijke beschermingsmiddelen te gebruiken.** Brokstukken van het werkstuk of gebroken inzetstukken kunnen wegvliegen en ook buiten het directe werkbereik verwondingen veroorzaken.

**j) Houd het apparaat alléén aan de geïsoleerde grijpvlakken vast, wanneer u werkzaamheden uitvoert waarbij het snijgereedschap verborgen stroomleidingen zou kunnen raken.** Het contact met een spanningvoerende leiding kan ook de metalen apparaatdelen onder spanning zetten en zo tot een elektrische schok leiden.

**k) Leg het elektrische gereedschap nooit neer, vóór het inzetstuk volledig tot stilstand is gekomen.** Het draaiende inzetstuk kan in aanraking komen met de ondergrond, waardoor u de controle over het elektrische gereedschap kunt verliezen.

**l) Laat het elektrische gereedschap niet lopen terwijl u het draagt.** Uw kleding kan door toevallig contact met het draaiende inzetgereedschap worden meegenomen en het inzetgereedschap kan zich in uw lichaam boren.

**m) Reinig regelmatig de ventilatieopeningen van het elektrische gereedschap.** De motorventilator trekt stof in het huis en een sterke ophoping van metaalstof kan elektrische gevaren veroorzaken.

**n) Gebruik het elektrische gereedschap niet in de buurt van brandbare materialen.** Vonken kunnen deze materialen doen ontvlammen.

**o) Gebruik geen inzetstukken waarvoor vloeibaar koelmiddel nodig is.** Het gebruik van water of andere vloeibare koelmiddelen kan elektrische schokken veroorzaken.

## Terugslag en bijbehorende waarschuwingen

Terugslag is de plotselinge reactie als gevolg van een vasthakend of geblokkeerd draaiend inzetgereedschap, zoals een slijpschijf, steunschijf, draadborstel, enz. Vasthaken of blokkeren leidt tot abrupte stilstand van het ronddraaiende inzetgereedschap. Daardoor wordt een ongecontroleerd elektrisch gereedschap tegen de draairichting van het inzetgereedschap versneld op de plaats van de blokkering.

Als bijvoorbeeld een slijpschijf in het werkstuk vasthaakt of blokkeert, kan de rand van de slijpschijf die in het werkstuk invalt, zich vastgrijpen. Daardoor kan de slijpschijf uitbreken of een terugslag veroorzaken. De slijpschijf beweegt zich vervolgens naar de bediener toe of van de bediener weg, afhankelijk van de draairichting van de schijf op de plaats van de blokkering. Hierbij kunnen slijpschijven ook breken.

Een terugslag is het gevolg van het verkeerd gebruik of onjuiste gebruiksomstandigheden van het elektrische gereedschap. Terugslag kan worden voorkomen door geschikte voorzorgsmaatregelen, zoals hieronder beschreven.

**a) Houd het elektrische gereedschap goed vast en breng uw lichaam en uw armen in een positie waarin u de terugslagkrachten kunt opvangen. Gebruik altijd de extra handgreep, indien aanwezig, om de grootst mogelijke controle te hebben over terugslagkrachten of reactiemomenten bij het op toeren komen.** De bediener kan door geschikte voorzorgsmaatregelen de terugslag- en reactiekrachten beheersen.

**b) Breng uw hand nooit in de buurt van draaiende inzetgereedschappen.** Het inzetgereedschap kan bij de terugslag over uw hand bewegen.

**c) Mijd met uw lichaam het gebied waarheen het elektrische gereedschap bij een terugslag wordt bewogen.** De terugslag drijft het elektrische gereedschap in de richting die

tegengesteld is aan de beweging van de slijpschijf op de plaats van de blokkering.

**d) Werk bijzonder voorzichtig in de buurt van hoeken, scherpe randen, enz. Voorkom dat inzetgereedschappen van het werkstuk terugspringen en vastklemmen.** Het ronddraaiende inzetgereedschap neigt er bij hoeken, scherpe randen of wanneer het terugspringt toe om zich vast te klemmen. Dit veroorzaakt een controleverlies of terugslag.

**e) Gebruik geen ketting- of getand zaagblad.** Dergelijke inzetstukken veroorzaken vaak een terugslag of verlies van controle over het elektrische gereedschap.

## Bijzondere waarschuwingen voor polijstwerkzaamheden

**a) De polijstkap mag geen losse delen hebben, in het bijzonder geen losse bevestigingsnoeren. Maak de bevestigingsnoeren vast of kort deze in.** Losse, meedraaiende bevestigingsnoeren kunnen uw vingers meenemen of in het werkstuk vasthaken.

## Bijzondere waarschuwingen voor schuurwerkzaamheden

**a) Gebruik geen schuurbladen met te grote afmetingen, maar houd u aan de voorschriften van de fabrikant voor de maten van schuurbladen.** Schuurbladen die over de rand van de steunschijf uitsteken, kunnen verwondingen veroorzaken en kunnen tot blokkeren, scheuren van de schuurbladen of terugslag leiden.

## Verdere veiligheids- en werkinstructies

Bij het schuren van metalen ontstaan vonken. Er op letten dat er geen personen in gevaar worden gebracht. In verband met het brandgevaar mogen zich geen brandbare materialen in de buurt (gebied waar de vonken vallen) bevinden. Geen stofafzuiging gebruiken

Voorkom dat vonkenregen en slijpstof het lichaam raken.

Grijp nooit in de gevarenzone van de lopende messen.

Machine onmiddellijk controleren als sterke trillingen optreden of andere gebreken worden vastgesteld. Controleer de machine om de oorzaak vast te stellen.

Spanen of splinters mogen bij draaiende machine niet worden verwijderd.

Verbruikte akku's niet in het vuur of bij het huisvuil werpen. Milwaukee biedt namelijk een milieuvriendelijke recyclingmethode voor uw oude akku's.

Wisselakku's niet bij metalen voorwerpen bewaren (kortsluitingsgevaar ! ) .

Wisselakku's van het Akku-Systeem C12 alléén met laadapparaten van het Akku-Systeem C12 laden. Geen akku's van andere systemen laden.

Wisselakku's en laadapparaten niet openen en alleen in droge ruimtes opslaan. Tegen vocht beschermen.

Over extreme belasting of extreme temperaturen kan uit de accu accu-vloeistof lopen. Na contact met accu-vloeistof direct afwassen met water en zeep. Bij oogcontact direct minstens 10 minuten grondig spoelen en onmiddellijk een arts raadplegen.

**Waarschuwing!** Voorkom brand, persoonlijk letsel of materiële schade door kortsluiting en dompel het gereedschap, de wisselaccu en het laadtoestel niet onder in vloeistoffen en waarborg dat geen vloeistoffen in de apparaten en accu's kunnen dringen. Corrosieve of geleidelijke vloeistoffen zoals zout water, bepaalde chemicaliën, bleekmiddelen of producten die bleekmiddelen bevatten, kunnen een kortsluiting veroorzaken.

## VOORGESCHREVEN GEBRUIK VAN HET SYSTEEM

De schuur- en polijstmachine is geschikt voor het schuren en polijsten van lakken, coatings, kunststoffen en andere gladde oppervlakken.

Neem in twijfelgevallen deaanwijzingen van de toebehorenfabrikant in acht.

Het elektrische gereedschap is alleen geschikt voor de droge bewerking.

## ARBEIDSINSTRUCTIES

Altijd de zijhandgreep gebruiken.

Het te bewerken werkstuk moet vast worden ingespannen als het niet door het eigen gewicht stabiel ligt. Nooit het werkstuk met de hand tegen de schijf houden.

## ONDERHOUD

Altijd de luchtspleten van de machine schoonhouden.

Alleen Milwaukee toebehoren en onderdelen gebruiken. Onderdelen welke niet vermeld worden, kunnen het beste door de Milwaukee servicedienst verwisseld worden (zie Serviceadressen).

Onder vermelding van het nummer op het machineplaatje is desgewenst een doorsnedetekening van de machine verkrijgbaar bij: Techtronic Industries GmbH, Max-Eyth-Straße 10, 71364 Winnenden, Germany.

## EC - VERKLARING VAN OVEREENSTEMMING

Wij verklaren in uitsluitende verantwoording dat het onder 'Technische gegevens' beschreven product overeenstemt met alle relevante voorschriften van de richtlijn 2011/65/EU (RoHS), 2014/30/EU, 2006/42/EG en de volgende geharmoniseerde normatieve documenten:

EN 60745-1:2009+A11:2010  
EN 60745-2-3:2011 + A2:2013  
EN 55014-1:2006+A1:2009+A2:2011  
EN 55014-2:2015  
EN 50581:2012

Winnenden, 2017-11-30



Alexander Krug  
Managing Director



Gemachtigd voor samenstelling van de technische documenten  
Techtronic Industries GmbH  
Max-Eyth-Straße 10  
71364 Winnenden  
Germany

## AKKU

Langere tijd niet toegepaste wisselakku's vóór gebruik altijd naladen.

Een temperatuur boven de 50°C vermindert de capaciteit van de accu. Langdurige verwarming door zon of hitte vermijden.

De aansluitcontacten aan het laadapparaat en de accu schoonhouden.

Voor een optimale levensduur moeten de accu's na het gebruik volledig opgeladen worden.

Voor een zo lang mogelijke levensduur van de accu's dienen deze na het opladen uit het laadtoestel te worden verwijderd.

Bij een langere opslag van de accu dan 30 dagen:

accu bij ca. 27 °C droog bewaren.

accu bij ca. 30 % - 50 % van de laadtoestand bewaren.

accu om de 6 maanden opnieuw opladen.

## TRANSPORT VAN LITHIUM-IONEN-ACCU'S

Lithium-ionen-accu's vallen onder de wettelijke bepalingen inzake het transport van gevaarlijke goederen.

Voor het transport van deze accu's moeten de lokale, nationale en internationale voorschriften en bepalingen in acht worden genomen.

- Verbruikers mogen deze accu's zonder meer over de weg transporteren.
- Het commerciële transport van lithium-ionen-accu's door expeditiebedrijven is onderhevig aan de bepalingen inzake het transport van gevaarlijke goederen. De verzendingsvoorbereidingen en het transport mogen uitsluitend worden uitgevoerd door dienovereenkomstig

opgeleide personen. Het complete proces moet vakkundig worden begeleid.

Onderstaande punten moeten bij het transport van accu's in acht worden genomen:

- Waarborg ter vermijding van kortsluitingen dat de contacten beschermd en geïsoleerd zijn.
- Let op dat het accupack in de verpakking niet kan verschuiven.
- Beschadigde of lekkende accu's mogen niet worden getransporteerd.

Neem voor meer informatie contact op met uw expeditiebedrijf.

## SYMBOLEN



OPGELET! WAARSCHUWING! GEVAAR!



Voor alle werkzaamheden aan de machine de accu verwijderen.



Graag instructies zorgvuldig doorlezen vóórdat u de machine in gebruik neemt.



Bij het werken met de machine altijd een veiligheidsbril dragen.



Draag veiligheidshandschoenen!



Elektrische apparaten, batterijen en accu's mogen niet via het huisafval worden afgevoerd. Elektrische apparaten en accu's moeten gescheiden worden verzameld en voor een milieuvriendelijke afvoer worden afgegeven bij een recyclingbedrijf. Informeer bij uw gemeente of bij uw vakhandelaar naar recyclingbedrijven en inzamelpunten.



CE-keurmerk

ØPmax = 76 mm

Maximaal polijstvermogen

ØSmax = 51 mm

Maximale schuurvermogen



TR 066

Nationaal symbool van overeenstemming Oekraïne



EurAsian-symbool van overeenstemming.

## TEKNISCHE DATA

### Poler-/Slibmaskine

	M12 BPS
Produktionsnummer	4477 93 03... ...000001-999999
Udsiftningsbatteriets spænding	12 V
Nominelt omdrejningstal i 1. gear	0-2800 min <sup>-1</sup>
Nominelt omdrejningstal i 2. gear	0-8300 min <sup>-1</sup>
Polering hjul diameter	76 mm
Slibeskivediameter	51 mm
Spindelgevind	M9x0,75
Vægt svarer til EPTA-procedure 01/2003 (2,0 Ah)	1,0 kg
Vægt svarer til EPTA-procedure 01/2003 (4,0 Ah)	1,2 kg
<b>Støj/Vibrationsinformation</b> Måleværdier beregnes iht. EN 60 745. Værktøjets A-vurderede støjniveau er typisk: Lydtrykniveau (Usikkerhed K=3dB(A)) Lydeffekt niveau (Usikkerhed K=3dB(A))	68,24 dB(A) 79,20 dB(A)
<b>Brug høreværn!</b> Samlede vibrationsværdier (værdisum for tre retninger) beregnet iht. EN 60745. Polering Vibrationseksposering a <sub>n,p</sub> Usikkerhed K	2,95 m/s <sup>2</sup> 1,83 m/s <sup>2</sup>
Sandpapirslibning Vibrationseksposering a <sub>n,ds</sub> Usikkerhed K	2,3 m/s <sup>2</sup> 1,5 m/s <sup>2</sup>

## ADVARSEL

Svingningsniveauet, som er angivet i disse anvisninger, er målt i henhold til standardiseret måleprocedure ifølge EN 60745 og kan anvendes til indbyrdes sammenligning mellem el-værktøjer. Svingningsniveauet er ligeledes egnet som foreløbigt skøn over svingningsbelastningen.

Det angivne svingningsniveau er baseret på el-værktøjets primære anvendelsesformål. Hvis el-værktøjet benyttes til andre formål, med andet indsatsværktøj eller ikke vedligeholdes tilstrækkeligt, kan svingningsniveauet afvige. Dette kan øge svingningsbelastningen over den samlede arbejdsperiode betydeligt.

For en nøjagtig vurdering af svingningsbelastningen skal der også tages højde for de tidsperioder, hvor apparatet er slukket, eller hvor apparatet kører, men uden at være i anvendelse. Dette kan reducere svingningsbelastningen over den samlede arbejdsperiode betydeligt.

Supplerende sikkerhedsforanstaltninger til beskyttelse af brugeren mod påvirkninger fra svingninger skal iværksættes, f.eks.: Vedligeholdelse af el-værktøj og indsatsværktøj, varmholdelse af hænder, organisering af arbejdsprocesser.

**ADVARSEL! Læs alle sikkerhedsinformationer og instruktioner.** I tilfælde af manglende overholdelse af advarselshenvisningerne og instrukserne er der risiko for elektrisk stød, brand og/eller alvorlige kvæstelser. **Opbevar alle advarselshenvisninger og instrukser til senere brug.**

## SIKKERHEDSINSTRUKTIONER FOR POLER-/SLIBEMASKINE

Følles advarselshenvisninger til sandpapirslibning og polering:

**a) Dette elværktøj kan anvendes som poleringsmaskine og sandpapirsliber. Læs og overhold alle advarsler, instruktioner, illustrationer og data, som du modtager i forbindelse med elværktøjet.** Overholder du ikke følgende instruktioner, kan du få elektrisk stød, der kan opstå brand og/eller du kan blive kvæstet alvorligt.

**b) Dette el-værktøj er ikke egnet til skære- og skrubslibning og trådbørstning.** Anvendes el-værktøjet til formål, det ikke er beregnet til, kan der opstå farlige situationer, som kan medføre kvæstelser.

**c) Anvend kun tilbehør, hvis det er beregnet til dette el-værktøj og anbefalet af fabrikanten.** En mulig fastgørelse af tilbehøret til elværktøjet sikrer ikke en sikker anvendelse.

**d) Den tilladte hastighed for indsatsværktøjet skal mindst være så høj som den maksimale hastighed, der er angivet på elværktøjet.** Tilbehør, der drejer

hurtigere end tilladt, kan brække og de enkelte dele flyve fra hinanden.

**e) Den udvendige diameter og tykkelsen på indsatsværktøjet skal svare til målene på dit elværktøj.** Indsatsværktøjer med for stort størrelse kan ikke afskærmes eller kontrolleres på tilstrækkelig vis.

**f) Tilbehørsdelens gevind skal passe nøjagtigt på slibespindlens gevind. Ved tilbehørsdele, der monteres med flange, skal tilbehørsdelens borehul passe nøjagtigt til FLANGENS diameter.** Tilbehørsdele, der ikke passer på værktøjet, fungerer ujævnt, vibrerer for kraftigt og kan føre til, at man mister kontrollen over værktøjet.

**g) Brug ikke el-værktøjet, hvis det er beskadiget.** Kontrollér altid før brug indsatsværktøj som f.eks. slibeskiver for afsplintninger og revner, slibebackskiver for revner, slid eller stærkt slid, trådbørster for løse eller brækkede tråde. **Tabes el-værktøjet eller indsatsværktøjet på jorden, skal du kontrollere, om det er beskadiget; anvend evt. et ubeskadiget indsatsværktøj.** Når indsatsværktøjet er kontrolleret og indsat, skal du holde dig selv og personer, der befinder sig i nærheden, uden for det niveau, hvor indsatsværktøjet roterer, og lad el-værktøjet køre i et minut ved højeste hastighed. Beskadiget indsatsværktøj brækker for det meste i denne testtid.

**h) Brug personligt beskyttelsesudstyr. Brug helmaske til ansigt, øjenværn eller beskyttelsesbriller, afhængigt af det udførte arbejde. Brug afhængigt af arbejdets art støvmaske, høreværn, beskyttelseshandsker eller**



**specialforklæde, der beskytter dig mod små slibe- og materialepartikler.** Øjenene skal beskyttes mod fremmede genstande, der flyver rundt i luften og som opstår i forbindelse med forskelligt arbejde. Støv- eller åndedrætsmaske skal filtrere det støv, der opstår under arbejdet. Udsættes du for høj støj i længere tid, kan du lide høretab.

**i) Sørg for at andre personer befinder sig i en sikker afstand til dit arbejdsområde. Enhver person, der går ind på dit arbejdsområde, skal bruge personlige værnemidler.** Brudstykker fra emnet eller brækkede indsatsværktøjer kan flyve væk og medføre tilskadekomst også uden for det direkte arbejdsområde.

**j) Hold maskinen fast i de isolerede gribeplader, når du udfører arbejde, hvor der er risiko for, at skæreværktøjet kan ramme skjulte strømledninger.** Kontakt med en spændingsførende ledning kan også sætte metalliske maskindele under spænding og føre til elektrisk stød.

**k) Læg aldrig elværktøjet fra dig, før indsatsværktøjet er standset helt.** Det roterende indsatsværktøj kan komme i kontakt med fralægningsoverfladen, og ved dette kan du miste kontrollen over elværktøjet.

**l) Lad ikke elværktøjet køre, mens det bæres.** Dit tøj kan blive fanget ved en tilfældig kontakt med det roterende indsatsværktøj, hvorved indsatsværktøjet kan bore sig ind i din krop.

**m) Rengør ventilationsåbningerne på dit el-værktøj med regelmæssige mellemrum.** Motorhuset trækker støv ind i huset, og store mængder metalstøv kan være farligt rent elektrisk.

**n) Anvend ikke elværktøjet i nærheden af brændbare materialer.** Gnister kan antænde disse materialer.

**o) Brug ikke indsatsværktøj, der kræver flydende kølemidler.** Anvendelsen af vand eller andre flydende kølemidler kan føre til elektrisk stød.

#### Tilbageslag og tilsvarende advarsler

Tilbageslag er en pludselig reaktion, som skyldes, at et roterende indsatsværktøj (slibemaskine, slibebagskive, træbørste osv.) har sat sig fast eller blokerer. Fastsættelse eller blokering fører til et pludseligt stop af det roterende indsatsværktøj. Derved accelereres et ukontrolleret el-værktøj mod indsatsværktøjets omringsretning på blokeringsstedet.

Sidder f.eks. en slibeskive fast eller blokerer i et emne, kan kanten på slibeskiven, der dykker ned i emnet, blive siddende, hvorved slibeskiven brækker af eller fører til et tilbageslag. Slibeskiven bevæger sig så hen imod eller væk fra betjeningspersonen, afhængigt af skivens drejeretning på blokeringsstedet. Derved kan slibeskiver også brække.

Et tilbageslag skyldes forkert eller fejlbehæftet brug af el-værktøjet. Det kan forhindres ved at træffe egnede forsigtighedsforanstaltninger, der beskrives i det følgende.

**a) Hold godt fast i el-værktøjet og sørg for at både krop og arme befinder sig i en position, der kan klare tilbageslagskræfterne.** Anvend altid ekstrahåndtaget, hvis et sådant findes, for at have så meget kontrol som muligt over tilbageslagskræfterne eller reaktionsmomenterne, når maskinen kører op i hastighed. Betjeningspersonen kan beherske tilbageslags- og reaktionskræfterne med egnede forsigtighedsforanstaltninger.

**b) Sørg for at din hånd aldrig kommer i nærheden af det roterende indsatsværktøj.** Indsatsværktøjet kan bevæge sig hen over din hånd i forbindelse med et tilbageslag.

**c) Undgå at din krop befinder sig i det område, hvor el-værktøjet bevæger sig i forbindelse med et tilbageslag.** Tilbageslaget driver elværktøjet i modsat retning af slibeskivens bevægelse på blokeringsstedet.

**d) Arbejd særlig forsigtig i områder som f.eks. hjørner, skarpe kanter osv. Forhindre at indsatsværktøjet slår tilbage fra emnet og sætter sig fast.** Det roterende indsatsværktøj har tendens til at sætte sig fast, når det anvendes

i hjørner, skarpe kanter eller hvis det springer tilbage. Dette medfører, at man taber kontrollen eller tilbageslag.

**e) Anvend ikke en kædesavklinge eller en tandet savklinge.** Et sådant indsatsværktøj fører ofte til et tilbageslag eller at man mister kontrollen over elværktøjet.

#### Særlige advarselshenvisninger i forbindelse med polering

**a) Undgå at løse dele på poleringshætten, især fastgørelsessnore. Afkort fastgørelsessnorene eller gem dem væk.** Løse, medbragte fastgørelsessnore kan gribe fat i dine fingre eller sætte sig fast i emnet.

#### Særlige advarselshenvisninger til sandpapirslibning

**f) Anvend ikke overdimensioneret slibepapir, men læs og overhold fabrikanthens forskrifter mht. slibepapirets størrelse.** Slibepapirer, der rager ud over slibebagskiven, kan føre til kvæstelser eller blokering eller iturivning af slibepapirerne eller til tilbageslag.

#### Yderligere sikkerheds- og arbejdsinformationer

Gnistregn opstår ved slibning af metal. Vær opmærksom på, at personer ikke kommer til skade. På grund af brandfare må brandbare materialer ikke opbevares i nærheden (gnistregnområde). Brug ikke støvsuger.

Undgå at gnistregn og slibestøv rammer din krop.

Pas på ikke at få hånden ind i arbejdsområdet.

Sluk straks for værktøjet, hvis der opstår betydelige svingninger eller der konstateres andre mangler. Kontrollér værktøjet og find frem til årsagen.

Spåner eller splinter må ikke fjernes, medens maskinen kører.

Opbrugte udskiftningsbatterier må ikke brændes eller kasseres sammen med alm. husholdningsaffald. Milwaukee har en miljørigtig bortskaffelse af gamle udskiftningsbatterier, henvend Dem til Deres forhandler.

Opbevar ikke udskiftningsbatterier sammen med metalgenstande af fare for kortslutning.

Brug kun C12 ladeapparater for opladning af System C12 batterier.

Udskiftningsbatterier og opladere må ikke åbnes og skal opbevares i tørre rum. Beskyt dem mod fugtighed.

I tilfælde af en ekstrem belastning eller ekstrem temperatur kan der flyde batterivæske ud af et beskadedt batteri. Hvis De kommer i berøring med batterivæsken, skal den vaskes godt og grundigt af med vand og sæbe. I tilfælde af øjenkontakt, skal man mindst skylle øjnene godt og grundigt igennem i 10 minutter og omgående opsøge en læge.

**Advarsel!** For at undgå risiko for brand, kvæstelser eller beskadigelse af produktet forårsaget af kortslutning må værktøjet, batteripakken eller opladeren ikke nedsænkes i vand. Sørg ligeledes for, at der ikke trænger væske ind i enhederne og batterierne. Korroderende eller ledende væsker, f.eks. saltvand, bestemte kemikalier, blegestoffer eller produkter, som indeholder blegestoffer, kan forårsage kortslutning.

#### TILTÆNKT FORMÅL

Slibe- og polerværktøjet er beregnet til slibning og polering af lak, belægninger, kunststof og andre glatte overflader.

Er du i tvivl, så læs vejledningen fra producenten af tilbehøret.

Det elektriske værktøj er kun egnet til tørslibning og -skæring.

#### ARBEJDSANVISNINGER

Brug altid støttegrebet.

Det arbejdsemne, som skal bearbejdes, fastspændes, medmindre det holdes på plads af arbejdsemnets egenvægt. Før aldrig emnet mod skiven med hånden.

#### VEDLIGEHOLDELSE

Hold altid maskinens ventilationsåbninger rene.

Brug kun Milwaukee tilbehør og reservedele. Lad de komponenter, hvis udskiftning ikke er blevet beskrevet, udskifte hos Atlas Copco service (se kundeserviceadresser).

Ved opgivelse af type nr. der er angivet på maskinens effektskilt, kan de rekvirere en reservedelstegning, ved henvendelse til: Techtronic Industries GmbH, Max-Eyth-Straße 10, 71364 Winnenden, Germany.

#### CE-KONFORMITETSERKLÆRING

Vi erklærer som eneansvarlig, at det under "Tekniske data" beskrevne produkt stemmer overens med alle relevante forskrifter, der følger af direktiv 2011/65/EU (RoHS), 2014/30/EU, 2006/42/EF samt af følgende harmoniserede normative dokumenter:

EN 60745-1:2009+A11:2010  
EN 60745-2-3:2011 + A2:2013  
EN 55014-1:2006+A1:2009+A2:2011  
EN 55014-2:2015  
EN 50581:2012

Winnenden, 2017-11-30



Alexander Krug  
Managing Director



Autoriseret til at udarbejde de tekniske dokumenter.

Techtronic Industries GmbH  
Max-Eyth-Straße 10  
71364 Winnenden  
Germany

#### BATTERI

Udskiftningsbatterier, der ikke har været brugt i længere tid, efterlades inden brug.

Ved temperaturer over 50°C formindskes batteriets effekt. Undgå direkte sollys og stærk varme.

Tilslutningskontaktterne på oplader og udskiftningsbatterier skal holdes rene.

For at opnå en optimal levetid skal de genopladelige batterier oplades fuldt efter brug.

For at sikre en så lang levetid som muligt skal batterierne tages ud af ladeaggregatet efter opladning.

Skal batterierne opbevares længere end 30 dage: Temperatur ca. 27°C i tørre omgivelser. Opbevares ved ca. 30%-50% af ladetilstanden. Batteri skal genoplades hver 6. måned.

#### TRANSPORT AF LITHIUM-BATTERIER

Lithium-batterier er omfattet af lovgivningen om transport af farligt gods.

Transporten af disse batterier skal ske under overholdelse af lokale, nationale og internationale regler og bestemmelser.

- Forbrugere må transportere disse batterier på veje uden yderligere krav.
- Den kommercielle transport af lithium-batterier ved speditiofsfirmaer er omfattet af reglerne for transport af farligt gods. Forberedelsen af forsendelse og transport må kun udføres af tilsvarende trænedte personer. Den samlede proces skal følges af fagfolk.

Følgende punkter skal overholdes ved transport af batterier:

- Sørg for at kontaktterne er beskyttet og isoleret for at forhindre kortslutninger.
- Sørg for at batteripakken ikke kan bevæge sig inden for emballagen.
- Beskadigede eller lækkelige batterier må ikke transporteres.

Kontakt dit speditiofsfirma for at få yderligere oplysninger.

#### SYMBOLER



VIGTIGT! ADVARSEL! FARE!



Ved arbejde inden i maskinen, bør batteriet tages ud.



Læs brugsanvisningen nøje før ibrugtagning.



Når der arbejdes med maskinen, skal man have beskyttelsesbriller på.



Brug beskyttelseshandsker!



Elektrisk udstyr eller (genopladelige) batterier må ikke bortskaffes sammen med det almindelige husholdningsaffald. Elektrisk udstyr og genopladelige batterier skal indsamles særskilt og afleveres hos en genbrugsvirksomhed til en miljømæssig forsvarlig bortskaffelse. Spørg de lokale myndigheder eller din forhandler om genbrugsstationer og indsamlingssteder til sådant affald.



CE-mærke



ØPmax = 76 mm Maksimal poleringskapacitet

ØSmax = 51 mm Maksimal slibekapacitet



Nationalt overensstemmelsesmærke Ukraine

TR 066



EurAsian overensstemmelsesmærke.

TEKNISKE DATA	M12 BPS
<b>Poler-/Slipemaskin</b>	
Produksjonsnummer	4477 93 03... ...000001-999999
Spenning vekselbatteri	12 V
Nominelt turtall i 1. gir	0-2800 min <sup>-1</sup>
Nominelt turtall i 2. gir	0-8300 min <sup>-1</sup>
Polering hjul diameter	76 mm
Slipeskive diameter	51 mm
Spindelgjenge	M9x0,75
Vekt i henhold til EPTA-Prosedyren 01/2003 (2,0 Ah)	1,0 kg
Vekt i henhold til EPTA-Prosedyren 01/2003 (4,0 Ah)	1,2 kg
<b>Støy/Vibrasjonsinformasjon</b>	
Måleverdier fastslått i samsvar med EN 60 745. Det typiske A-bedømte støynivået for maskinen er: Lydtrykknivå (Usikkerhet K=3dB(A)) Lydeffektnivå (Usikkerhet K=3dB(A))	68,24 dB(A) 79,20 dB(A)
<b>Bruk hørselsvern!</b>	
Totale svingningsverdier (vektorsum fra tre retninger) beregnet jf. EN 60745.	
Polering	
Svingningsemissjonsverdi a <sub>h,p</sub>	2,95 m/s <sup>2</sup>
Usikkerhet K	1,83 m/s <sup>2</sup>
Sliping med sandpapir	
Svingningsemissjonsverdi a <sub>h,DS</sub>	2,3 m/s <sup>2</sup>
Usikkerhet K	1,5 m/s <sup>2</sup>

## ADVARSEL

Svingningsnivået som er angitt i denne instruksjonen er målt i overensstemmelse med målemetoden normert i direktiv EN 60745 og kan brukes til å sammenligne elektromaskiner med hverandre. Den egner seg også for en foreløbig vurdering av svingningsbelastningen.

Det angitte svingningsnivået representerer de hovedsaklige bruk av elektroverktøyet. Men anvendes elektroverktøyet for andre bruk med avvikende utskiftbare verktøy eller vedlikeholdet er utilstrekkelig, kan svingningsnivået være avvikende.

Dette kan forhøye svingningsbelastning betydelig over hele arbeidsperioden. For en nøyaktig vurdering av svingningsbelastningen må også det tas hensyn til tiden apparatet er avslått eller står på, men ikke er i bruk. Dette kan redusere svingningsbelastningen betydelig over hele arbeidsperioden.

Innfør også ekstra sikkerhetstiltak for å beskytte bruker mot utvirkningen av svingningene. Disse kan f.eks. være: vedlikehold av elektroverktøyet og det utskiftbare verktøyet, holde hendene varme, organisasjon av arbeidsforløpet.

**⚠ OBS! Les alle sikkerhetsinstruksjer og bruksanvisninger.** Feil ved overholdelsen av advarslene og nedenstående anvisninger kan medføre elektriske støt, brann og/eller alvorlige skader.

**Ta godt vare på alle advarslene og informasjonene.**

## ⚠ SIKKERHETSINSTRUKSER POLER- / SLIPEMASKIN

**Felles advarsler om sandpapiersliping og polering:**

**a) Dette elektroverktøyet skal brukes som polermaskin og sandpapiersliper. Følg alle advarsler, anvisninger, bilder og data som du får levert sammen med elektroverktøyet.** Hvis du ikke følger følgende anvisninger, kan det oppstå elektriske støt, ild og/eller store skader.

**b) Dette elektroverktøyet er ikke egnet til kutting og rensing og arbeid med stålborster.** Bruk som elektroverktøyet ikke er konstruert for, kan forårsake farer og skader.

**c) Ikke bruk tilbehør som ikke er spesielt beregnet og anbefalt av produsenten for dette elektroverktøyet.** Selv om du kan feste tilbehøret på elektroverktøyet ditt, garanterer dette ingen sikker bruk.

**d) Det tillatte omdreiningsstallet til elektroverktøyet må være minst så høyt som det maksimale omdreiningsstallet som er oppgitt på elektroverktøyet.** Tilbehør som dreier seg raskere enn tillatt kan bretteke og slynges rundt.

**e) Det ytre tverrsnittet og tykkelsen til verktøyet som benyttes må overholde målene til elektroverktøyet ditt.**

Verktøy som er målt feil kan ikke avskjermes eller kontrolleres riktig.

**f) Gjenge til tilbehørsdelene må stemme overens med gjenge til slipespindelen. Ved tilbørtdeler som blir montert med hjelp av en flens, må boringen til tilbehørsdelen stemme overens med FLENSENS diameter.** Tilbehørsdeler som ikke passer på apparatet beveger seg ujevnt, vibrerer sterkt og dette kan føre til at kontrollen over apparatet går tapt.

**g) Ikke bruk skadede innsatsverktøy. Sjekk før hver bruk om innsatsverktøy slik som slipeskiver er splintret eller revnet, om slipetallerkener er revnet eller svært slitt, om stålborster har løse eller har brukkede tråder. Hvis elektroverktøyet eller innsatsverktøyet faller ned, må du kontrollere om det er skadet eller bruk et ikke skadet innsatsverktøy. Når du har kontrollert og satt inn innsatsverktøyet, må du holde personer som oppholder seg i nærheten unna det roterende innsatsverktøyet og la elektroverktøyet gå i ett minutt med maksimalt turtall.** Som regel bretteke skadede innsatsverktøy i løpet av denne testtiden.

**h) Bruk personlig beskyttelsesutstyr. Avhengig av typen bruk må du bruke visir, øyebeskyttelse eller vernebriller. Om nødvendig må du bruke støvmaske, hørselsvern, vernehansker eller spesialforkle som holder små slipe- og materialpartikler unna kroppen din.** Øynene bør beskyttes mot fremmedlegemer som kan fly rundt ved visse typer bruk. Støv- eller pustevernmasker må filtrere den typen støv

som oppstår ved denne bruken. Hvis du er utsatt for sterk støy over lengre tid, kan du miste hørselen.

**i) Pass på at andre personer holder seg på sikker avstand fra arbeidsområdet ditt. Enhver person som går inn i arbeidsområdet må ha på seg personlig verneutstyr.** Deler av arbeidsstykker eller verktøy som har brukket kan slynges rundt og forårsake skader utenfor det direkte arbeidsområdet.

**j) Hold apparatet i de isolerte holdeflatene, når det arbeides på steder hvor elektroverktøyet kan treffe skjulte strømlødnings.** Kontakten med en strømførende ledning kan da føre at verktøyets metalldele blir satt under spenning som da kan føre til et elektrisk slag.

**k) Legg aldri fra deg elektroverktøyet før verktøyet har stanset helt.** Det roterende verktøyet kan komme i kontakt med underlaget, noe som kan medføre at du mister kontrollen over elektroverktøyet.

**l) La aldri elektroverktøyet være innkoblet mens du bærer det.** Tøyet ditt kan komme inn i det roterende innsatsverktøyet hvis det tilfeldigvis kommer i kontakt med verktøyet og innsatsverktøyet kan da bore seg inn i kroppen din.

**m)Rengjør ventilasjonsåpningene til elektroverktøyet med jevne mellomrom.** Motorviften trekker støv inn i huset, og en stor oppsamling av metallstøv kan medføre elektrisk fare.

**n) Ikke benytt elektroverktøyet i nærheten av brennbare materialer.** Gnister kan antenne disse materialene.

**o) Ikke bruk verktøy som krever flytende kjølemidler.** Bruk av vann eller andre flytende kjølemidler kan medføre elektrisk støt.

## Tilbakeslag og tilsvarende advarsler

Tilbakeslag er innsatsverktøyets plutselige reaksjon etter at det har hengt seg opp eller blokkerer. Dette kan gjelde slipeskiven, slipetallerkenen, stålborsten osv.. Opphenging eller blokkering fører til at det roterende innsatsverktøyet stanser helt plutselig. Slik akselereres et ukontrollert elektroverktøy mot innsatsverktøyets dreieretning på blokkeringsstedet.

Hvis f. eks. en slipeskive henger seg opp eller blokkerer i arbeidsstykket, kan kanten på slipeskiven som dykker inn i arbeidsstykket, henge seg opp og slik bretteke slipeskiven eller forårsaker et tilbakeslag. Slipeskiven beveger seg da mot eller bort fra brukeren, avhengig av skivens dreieretning på blokkeringsstedet. Slik kan slipeskiver også bretteke.

Et tilbakeslag er resultat av en gal eller feilaktig bruk av elektroverktøyet. Det kan unngås ved å følge egnede sikkerhetstiltak som beskrevet nedenstående.

**a) Hold elektroverktøyet godt fast og plasser kroppen og armene dine i en stilling som kan ta imot tilbakeslagskrefter. Bruk alltid ekstrahåndtaket – hvis dette finnes – for å ha størst mulig kontroll over tilbakeslagskrefter eller reaksjonsmomenter ved oppkjøring.** Brukeren kan beherske tilbakeslags- og reaksjonsmomenter med egnede tiltak.

**b) Hold aldri hånden i nærheten av det roterende innsatsverktøyet.** Innsatsverktøyet kan bevege seg over hånden din ved tilbakeslag.

**c) Unngå at kroppen din befinner seg i området der elektroverktøyet vil bevege seg ved et tilbakeslag.** Tilbakeslaget driver elektroverktøyet i motsatt retning av slipeskivens dreieretning på blokkeringsstedet.

**d) Vær spesielt forsiktig i hjørner, på skarpe kanter osv. Du må forhindre at innsatsverktøy avpelles fra arbeidsstykket eller klemmes fast.** Det roterende innsatsverktøyet har en tendens til å klemmes fast i hjørner, på skarpe kanter eller hvis det avpelles. Dette forårsaker kontrolltapp eller tilbakeslag.

**e) Ikke bruk sagbleadet med kjeder eller tenner.** Slike verktøy forårsaker ofte et tilbakeslag eller at man mister kontrollen over elektroverktøyet.

## Spesielle advarsler om polering

**a) Det må aldri finnes løse deler på polerheten, spesielt ikke festesnorer. Putt unna eller kapp festesnorene.** Løse roterende festesnorer kan gripe tak i fingrene dine eller vikle seg inn i arbeidsstykket.

## Spesielle advarsler om sandpapiersliping

**a) Ikke bruk overdimensjonerte slipeskiver, følg produsentens informasjoner om slipepapir-størrelsen.** Slipeskiver som peker ut over slipetallerkenen kan forårsake skader og føre til at slipeskivene blokkerer eller revner eller til at det oppstår tilbakeslag.

## Ytterlige sikkerhets- og arbeidsinstruksjoner

Ved sliping av metall flyr det gnister. Pass på at ingen personer blir utsatt for fare. På grunn av brannfaren må det ikke finnes noen brennbare materialer i nærheten (gnistområdet). Ikke bruk støvavsug.

Unngå at flyvende gnister og slipestøv treffer kroppen.

Ikke grip inn i det farlige området når kniven er i gang!

Slå straks av apparat når det oppstår store svingninger eller du fastslår andre mangler. Kontroller maskinen for å fastslå årsaken.

Spon eller fliser må ikke fjernes mens maskinen er i gang.

Ikke kast brukte vekselbatterier i varmen eller husholdningsavfallet. Milwaukee tilbyr en miljøriktig deponering av gamle vekselbatterier; vennligst spør din fagforhandler.

Ikke oppbevar vekselbatterier sammen med metallgjenstander (kortslutningsfare).

Vekselbatterier av systemet C12 skal kun lades med lader av systemet C12. Ikke lad opp batterier fra andre systemer.

Ikke åpne vekselbatterier og ladere, de skal oppbevares i tørre rom. Beskyttes mot fuktighet.

Under ekstreme belastninger og ekstreme temperaturer kan det lekke ut batterievæske fra utskiftbare batterier. Ved berøring med batterievæske, vask umiddelbart med såpe og vann. Ved kontakt med øynene må øynene skylles grundig i rennende vann i minst 10 minutter. Oppsøk lege umiddelbart.

**Advarsel!** For å unngå fare for en brann forårsaket av en kortslutning, av personskader eller skader av produktet, må det forhindres at batteripakken eller laderen dypes i væsker og også sørges for at ingen væsker kan komme inn i apparatene eller batteriene. Korroderende og ledende væsker som saltvann, visse kjemikalier og blekemidler eller produkt som inneholder blekemidler kan forårsake en kortslutning.

## FORMÅLMESSIG BRUK

Slipe- og polerverktøyet er egnet for sliping og polering av lakk, overflatebehandlinger, plast og andre glatte overflater.

I tvilstilfeller ta hensyn til instruksjonene tilprodusenten av tilbehøret.

Elektroverktøyet er kun egnet for tørr bearbeiding.

## ARBEIDSNSTRUKSJONER

Bruk alltid ekstrahåndtaket.

Det emnet som skal bearbeides må være fastspent, hvis det ikke blir holdt av sin egen vekt. Før aldri emnet med hånden mot skiven.

## VEDLIKEHOLD

Hold alltid luftenåpningene på maskinen rene.

Bruk kun Milwaukee tilbehør og reservedeler. Komponenter der utskifting ikke er beskrevet skal skiftes ut hos Milwaukee kundeservice (se brosjyre garanti/ kundeserviceadresser).

Ved behov kan du be om en eksplosjonstegning av apparatet hos din kundeservice eller direkte hos Techtronic

## CE-SAMSVARERKLÆRING

Vi erklærer i alene ansvar at produktet beskrevet i "Teknisk data" overensstemmer med alle relevante forskrifter til Eu direktiv 2011/65/EU (RoHS), 2014/30/EU, 2006/42/EF og de følgende harmoniserte normative dokumentene.

EN 60745-1:2009+A11:2010  
EN 60745-2-3:2011 + A2:2013  
EN 55014-1:2006+A1:2009+A2:2011  
EN 55014-2:2015  
EN 50581:2012

Winnenden, 2017-11-30

Alexander Krug  
Managing Director



Autorisert til å utarbeide den tekniske dokumentasjonen

Techtronic Industries GmbH  
Max-Eyth-Straße 10  
71364 Winnenden  
Germany

## BATTERIER

Vekselbatterier som ikke er brukt over lengre tid skal etterlades før bruk.

En temperatur over 50°C reduserer vekselbatteriets kapasitet. Unngå oppvarming i sol eller ved varmeovner (fyring) i lengre tid.

Hold tilkoplingskontaktene på lader og vekselbatteri rene.

For optimal holdbarhet må batteriene lades opp helt etter bruk.

For å sikre en lengst mulig brukstid av batteriene skal disse etter oppladning taes ut av laderen.

Ved lagring av batteriene lengre enn 30 dager:

Lagre batteriet tørt ved ca. 27°C.

Lagre batteriet ved en oppladningstilstand på ca. 30%-50%. Lade opp batteriet igjen etter 6 måneder.

## TRANSPORT AV LITIUUM-ION-BATTERI

Litium-ion-batterier faller under de lovfestede forskriftene om transport av farlig gods.

Transporten av disse batteriene må rette seg etter lokale, nasjonale og internasjonale forskrifter og bestemmelser.

- Forbruker har lov å transportere disse batteriene på gaten uten reglementering.
- Den kommersielle transport av Litium-ion-batterier av spedisjonsfirma faller under bestemmelsene om transport av farlig gods. Forberedningene av forsendelsen og transport skal utelukkende gjennomføres av personer som har blitt skolert til dette. Hele prosessen skal følges opp av fagfolk.

Følgende punkter skal tas hensyn til ved transport:

- Kontroller at kontaktene er beskyttet og isolert for å unngå kortslutninger.
- Pass på at batteripakken i forpakningen ikke kan skli fram og tilbake.
- Skadede eller batterier som lekker er det ikke lov å transportere.

Ta kontakt med spedisjonsfirma for ytterlige henvisninger.

## SYMBOLER



OBS! ADVARSEL! FARE!



Ta ut vekselbatteriet før du arbeider på maskinen



Les nøye gjennom bruksanvisningen før maskinen tas i bruk.



Bruk alltid vernebrille når du arbeider med maskinen.



Bruk vernehansker !



Elektriske apparater, batterier/oppladbare batterier skal ikke kastes sammen med vanlig husholdningsavfall. Elektriske og elektroniske apparater og oppladbare batterier skal samles separat og leveres til miljøvennlig deponering hos en avfallsbedrift. Informer deg hos myndighetene på stedet eller hos din fagforhandler hvor det finnes recycling bedrifter og oppsamlingssteder.



CE-tegn

ØPmax = 76 mm

Maksimal polerings ytelse

ØSmax = 51 mm

Maksimal slipe ytelse



Nasjonalt Konformitetstegn Ukraina



EurAsian Konformitetstegn.

## TEKNISKA DATA

### Poler-/Slipmaskin

Produktionsnummer	4477 93 03... ...000001-999999
Batterispänning	12 V
Märkvarvtal 1:a växel	0-2800 min <sup>-1</sup>
Märkvarvtal 2:a växel	0-8300 min <sup>-1</sup>
Polerhjul diameter	76 mm
Diameter slipskiva	51 mm
Spindelgånga	M9x0,75
Vikt enligt EPTA 01/2003 (2,0 Ah)	1,0 kg
Vikt enligt EPTA 01/2003 (4,0 Ah)	1,2 kg
<b>Buller-/vibrationsinformasjon</b> Måtværdene har tagits fram baserande på EN 60 745. A-værdet av maskinens ljudnivå utgör: Ljudtrycksnivå (Onoggrannhet K=3dB(A)) Ljudeffektsnivå (Onoggrannhet K=3dB(A)) <b>Använd hörselskydd!</b> Totala vibrationsvärden (vektorsumma ur tre riktningar) framtaget enligt EN 60745. Polering Vibrationsemissionsvärde a <sub>n,p</sub> Onoggrannhet K Slipning med sandpapper Vibrationsemissionsvärde a <sub>n,ds</sub> Onoggrannhet K	68,24 dB(A) 79,20 dB(A)  2,95 m/s <sup>2</sup> 1,83 m/s <sup>2</sup>  2,3 m/s <sup>2</sup> 1,5 m/s <sup>2</sup>

## VARNING

Den i de här anvisningarna angivna vibrationsnivån har uppmåtts enligt ett i EN 60745 normerat mätförfarande och kan användas vid jämförelse mellan olika elverktyg. Nivån är även lämplig att använda vid en preliminär bedömning av vibrationsbelastningen.

Den angivna vibrationsnivån representerar den huvudsakliga användningen av det aktuella elverktøyet. Men om elverktøyet ska användas i andra användningsområden, tillsammans med avvikende insatsverktøy eller efter otillräckligt underhåll, kan vibrationsnivån skilja sig. Det kan øka vibrationsbelastningen betydeligt under hela arbeidstiden.

För att få en exaktare bedömning av vibrationsbelastningen ska även den tid beaktas, under vilken elverktøyet är avstängt eller är påslaget, utan att det verkligen används. Det kan reducera vibrationsbelastningen betydeligt under hela arbeidstiden.

Lägg som skydd för användaren fast extra säkerhetsåtgärder mot vibrationernas verkan, som till exempel: underhåll av elverktøy och insatsverktøy, varmhållning av händer och organisering av arbetsförlopp.

**⚠️ VARNING! Läs all säkerhetsinformation och alla anvisningar.** Fel som uppstår till följd av att anvisningarna nedan inte följs kan orsaka elstöt, brand och/eller allvarliga kroppsskador.  
**Förvara alla varningar och anvisningar för framtida bruk.**

## ⚠️ SÄKERHETSANVISNINGAR POLER-/SLIPMASKIN

**Gemensamma säkerhetsanvisningar för sandpappersslipning och polering:**

**a) Elverktøyet kan användas som poleringsmaskin og slippappersslipmaskin. Beakta alla sikkerhetsanvisninger, anvisninger, illustrationer og data som leveres med elverktøyet.** Om nedanstående anvisningar ignoreres finns risk for att elstöt, brand och/eller allvarliga personskador uppstår.

**b) Den här maskinen är inte avsedd for kapning og slipning og arbeiten med trådborste.** Tillämpningar som maskinen inte är avsedd for kan fororsaka faror og personskador.

**c) Använd inte tillbehör som tillverkaren inte uttryckligen godkânt og rekommenderat for detta elverktøy.** Även om tillbehör kan fästas på elverktøyet finns det ingen garanti for en säker användning.

**d) Det tillåtna varvtalet for insatsverktøyet måste minst vara så høgt som angivet högsta varvtal på elektroverktøyet.** Tillbehör som roterer snabbare än tillåtet, kan gå sönder og flyga omkring.

**e) Insatsverktøyetts ytterdiameter og tjocklek ska överensstämna med måttuppgifterna for elverktøyet.** Ett felaktigt dimensionerat insatsverktøy kan inte avskärmas eller kontrolleras i tillräcklig utsträckning.

**f) Gången på tillbehøret måste stämna överens med slippindelns. För tillbehör som man fäster med hjälp av en fläns måste borrhålet stämna överens med FLÄNS diameter.** Tillbehör som inte passar till maskinen roterar ojämnt, vibrerar mycket kraftigt og kan leda till att du inte längre har kontroll över maskinen.

**g) Använd aldrig skadade insatsverktøy. Kontrollera före varje användning insatsverktøyet som t. ex. slipskivor avseende splitterskador og sprickor, slippindeller avseende sprickor reporer eller kraftigt nedslitning, stålborstar avseende lösa eller brustna trådar.** Om elverktøyet eller insatsverktøyet skulle falla ned kontrollera om skada uppstått eller montera ett skadat insatsverktøy. Du og andra personer i nærheten ska efter kontroll og montering av insatsverktøy ställa er utanför insatsverktøyetts rotationsradie og sedan låta elverktøyet rotera en minut med högsta varvtal. Skadade insatsverktøy går i de flesta fall sönder vid denna provkörning.

**h) Använd personlig skyddsutrustning. Använd alltefter avsett arbete ansiktsskärm, ögonskydd eller skyddsglasögon. Om så behövs, använd dammfiltermask, hörselskydd, skyddshandskar eller skyddsförkläde som skyddar mot små utslungade slipp- og materialpartiklar. Ögonen ska skyddas mot utslungade främmande partiklar.**



som kan uppstå under arbetet. Damm- och andningsskydd måste kunna filtrera bort det damm som eventuellt uppstår under arbetet. Risk finns för hörselskada under en längre tids kraftigt buller.

**i) Se till att andra personer håller ett säkert avstånd till ditt arbetsområde. Alla som närmar sig arbetsområdet måste bära personlig skyddsutrustning.** Brottstycken från verktyget eller brutna insatsverktyg kan flyga iväg och orsaka personskador även utanför arbetsområdet.

**j) Håll fast apparaten med hjälp av de isolerade greppytorna när du utför arbeten där arbetsverktyget skulle kunna träffa på dolda elledningar.** Kontakt med spänningsförande ledningar kan också överföra spänning på verktygets metalldelar och leda till en elektrisk stöt.

**k) Lägg aldrig ifrån dig elverktyget förrän insatsverktyget är helt stillastående.** Det roterande insatsverktyget kan komma i kontakt med underlaget och du kan då förlora kontrollen över elverktyget.

**l) Elverktyget får inte rotera när det bärs.** Kläder kan vid tillfällig kontakt med det roterande insatsverktyget dras in varvid insatsverktyget dras mot din kropp.

**m) Rengör regelbundet elverktygets ventilationsöppningar.** Motorfläkten drar in damm i huset och en kraftig anhopning av metalldamm kan orsaka farliga elströmmar.

**n) Använd aldrig elverktyget i närheten av brännbara material.** Gnistor kan antända detta material.

**o) Använd inte insatsverktyg som kräver kylvätska.** Användningen av vatten eller andra flytande kylmedel kan leda till elektriska stötar.

#### Varning för bakslag

Ett bakslag är en plötslig reaktion hos insatsverktyget när t. ex. slipskivan, sliprondellen, stålborsten hakar upp sig eller blockerar. Detta leder till abrupt uppbromsning av det roterande insatsverktyget. Härvid accelererar ett okontrollerat elverktyg mot insatsverktygets rotationsriktning vid inklämningsstället.

Om t. ex. en slipskiva hakar upp sig eller blockerar i arbetsstycket kan slipskivans kant i arbetsstycket klämmas fast varvid slipskivan bryts sönder eller orsakar bakslag. Slipskivan rör sig nu mot eller bort från användaren beroende på skivans rotationsriktning vid inklämningsstället. Härvid kan slivskivor även brista.

Bakslag uppstår till följd av missbruk eller felaktig hantering av elverktyget. Detta kan undvikas genom skyddsåtgärder som beskrivs nedan.

**a) Håll stadigt i elverktyget samt kroppen och armarna i ett läge som är lämpligt för att motstå bakslagskrafter. Använd alltid stödhandtaget för bästa möjliga kontroll av bakslagskrafter och reaktionsmoment vid start.** Användaren kan genom lämpliga försiktighetsåtgärder bättre behärska bakslags- och reaktionskrafterna.

**b) Håll alltid handen på betryggande avstånd från det roterande insatsverktyget.** Insatsverktyget kan vid ett bakslag gå mot din hand.

**c) Undvik att hålla kroppen inom det område elverktyget vid ett bakslag rör sig.** Bakslaget kommer att driva elverktyget i motsatt riktning till slipskivans rörelse vid inklämningsstället.

**d) Var särskilt försiktig vid bearbetning av hörn, skarpa kanter osv. Håll emot så att insatsverktyget inte studsar ut från arbetsstycket eller kommer i kläm.** På hörn, skarpa kanter eller vid studsning tenderar det roterande insatsverktyget att komma i kläm. Detta kan leda till att kontrollen förloras eller att bakslag uppstår.

**e) Använd inte kedje- eller tandat sågblad.** Sådana insatsverktyg orsakar ofta bakslag eller gör att du förlorar kontrollen över elverktyget.

#### Speciella säkerhetsanvisningar för polering

**a) Se till att inga lösa delar finns på polerhättan t.ex. fastspänningsband. Kläm in eller kapa fastspänningsbanden.** Lösa roterande fastspänningsband kan gripa tag i fingren eller dras in i arbetsstycket.

#### Speciella säkerhetsanvisningar för sandpappersslipning

**a) Använd inte för stora slippapper, se tillverkarens uppgifter om slippapperets storlek.** Slippapper som står ut över sliprondellen kan leda till personskada, blockera, rivas sönder eller också orsaka bakslag.

#### Övriga säkerhets- och användningsinstruktioner

Vid slipning av metall uppstår gnistor. Se till att personer inte skadas. Pga brandrisken får inga brännbara material finnas i närheten (inom gnistområdet). Använd inte dammsugning!

Förhindra att du kommer i kontakt med gnistor och slipdamm.

OBS! Håll bort fingrarna från de roterande knivarna.

Frånkoppla maskinen omedelbart om kraftiga vibrationer uppstår eller andra felfunktioner registreras. Kontrollera maskinen för lokalisering av orsak.

Avlägsna aldrig spån eller flisor när maskinen är igång.

Kasta inte förbrukade batterier. Lämna dem till Milwaukee Tools för återvinning.

Förvara ej batteriet ihop med metallföremål, kortslutning kan uppstå.

System C12 batterier laddas endast i System C12 laddare. Ladda inte batterier från andra system.

Batterier lagras torrt och skyddas för fukt.

Under extrem belastning eller extrem temperatur kan batterivätska tränga ut ur skadade utbytesbatterier. Vid beröring med batterivätska tvätta genast av med vatten och tvål. Vid ögonkontakt spola genast i minst 10 minuter och kontakta genast läkare.

**Varning!** För att undvika den fara för brand, personskador eller produktskador som orsakas av en kortslutning, doppa inte ner verktyget, utbytesbatteriet eller laddaren i vätskor och se till att ingen vätska kan tränga in i apparaterna eller batterierna. Korroderande eller ledande vätskor, som saltvatten, vissa kemikalier, blekningsmedel eller produkter som innehåller blekmedel, kan orsaka en kortslutning.

#### ANVÄND MASKINEN ENLIGT ANVISNINGARNA

Slip- och polerapparaten lämpar sig för slipning och polering av lack, beläggningar, plaster och andra släta ytor.

Följ vidtveksamma fall anvisningarna från tillverkaren av tillbehöret.

Detta elverktyg ska endast användas för torr bearbetning.

#### ARBETSANVISNINGAR

Använd alltid stödhandtag.

Spänn fast arbetsstycket om det inte ligger stadigt till följd av egen vikt. För aldrig arbetsstycket för hand mot slipskivan.

#### SKÖTSEL

Se till att motorhöljets luftslitsar är rena.

Använd endast Milwaukee tillbehör och reservdelar. Reservdelar vars utbyte ej beskrivs byts bäst av Milwaukee auktoriserad serviceverkstad (se broschyr Garanti/Kundtjänstadresser).

Vid behov av sprängskiss, kan en sådan, genom att uppgge maskinens art. nr. (som finns på typskylten) erhållas från: Techtronic Industries GmbH, Max-Eyth-Straße 10, 71364 Winnenden, Germany.

#### CE-FÖRSÄKRAN

Vi intygar och ansvarar för att den produkt som beskrivs under "Tekniska data" överensstämmer med alla relevanta bestämmelser i direktiv 2011/65/EU (RoHS), 2014/30/EU, 2006/42/EG och följande harmoniserade normerande dokument:

EN 60745-1:2009+A11:2010  
EN 60745-2-3:2011 + A2:2013  
EN 55014-1:2006+A1:2009+A2:2011  
EN 55014-2:2015  
EN 50581:2012

Winnenden, 2017-11-30

*Alexander Krug*

Alexander Krug  
Managing Director



Befullmäktigad att sammanställa teknisk dokumentation.

Techtronic Industries GmbH  
Max-Eyth-Straße 10  
71364 Winnenden  
Germany

#### BATTERIER

Batteri som ej använts på länge måste laddas före nytt bruk.

En temperatur över 50°C reducerar batteriets effekt. Undvik längre uppvärmning tex i solen eller nära ett element.

Se till att anslutningskontaktarna i laddaren och på batteriet är rena.

För att batterierna ska få lång livslängd ska de laddas fulla efter användning.

För att få en så lång livslängd som möjligt bör laddningsbara batterier avlägsnas från laddaren när de är laddade.

Om laddningsbara batterier lagras längre än 30 dagar: Lagra batteriet torrt och vid ca 27°C.

Lagra batteriet vid ca 30%-50% av laddningskapaciteten. Ladda batterierna på nytt var 6:e månad.

#### TRANSPORTERA LITIJUMJON-BATTERIER

För litiumjon-batterier gäller de lagliga föreskrifterna för transport av farligt gods på väg.

Därför får dessa batterier endast transporteras enligt gällande lokala, nationella och internationella föreskrifter och bestämmelser.

- Konsumenter får transportera dessa batterier på allmän väg utan att behöva beakta särskilda föreskrifter.
- För kommersiell transport av litiumjon-batterier genom en speditorsfirma gäller emellertid bestämmelserna för transport av farligt gods på väg. Endast personal som känner till alla tillämpliga föreskrifter och bestämmelser får förbereda och genomföra transporten. Hela processen ska följas upp på fackmässigt sätt.

Följande ska beaktas i samband med transporten av batterier:

- Säkerställ att alla kontakter är skyddade och isolerade för att undvika kortslutning.
- Se till att batteripacken inte kan glida fram och tillbaka i förpackningen.
- Transportera aldrig batterier som läcker, har runnit ut eller är skadade.

För mer information vänligen kontakta din speditorsfirma.

#### SYMBOLER



OBSERVERA! VARNING! FARA!



Drag ur batteripaket innan arbete utföres på maskinen.



Läs instruktionen noga innan du startar maskinen.



Använd alltid skyddsglasögon.



Bär skyddshandskar!



Elektriska maskiner, batterier/uppladdningsbara batterier och får inte slängas tillsammans med de vanliga hushållssoporna. Elektriska maskiner och uppladdningsbara batterier ka samlas separat och lämnas till en avfallsstation för miljövänlig avfallshantering. Kontakta den lokala myndigheten respektive kommunen eller fråga återförsäljare var det finns speciella avfallsstationer för elskrot.



CE-symbol

ØPmax = 76

Maximal polereffekt

mm

ØSmax = 51

Maximal slipeffekt

mm



Nationell symbol för överensstämmelse Ukraine

TR 066



EurAsian överensstämmelsesymbol.

TEKNISET ARVOT	M12 BPS
<b>Kiillotus-/Hiomakoneen</b>	
Tuotantonumero	4477 93 03... ...000001-999999
Jännite vaihtoakku	12 V
Nimellinen kierrosluku 1. vaihteella	0-2800 min <sup>-1</sup>
Nimellinen kierrosluku 2. vaihde	0-8300 min <sup>-1</sup>
Kiilloittaminen läpimitta	76 mm
Hiomalaikan läpimitta	51 mm
Karan kierre	M9x0,75
Paino EPTA-menettelyn 01/2003 mukaan (2,0 Ah)	1,0 kg
Paino EPTA-menettelyn 01/2003 mukaan (4,0 Ah)	1,2 kg
<b>Melunpäästö-/tärinätiedot</b>	
Mitta-arvot määritetty EN 60 745 mukaan. Koneen tyyppillinen A-luokitettu melutaso: Melutaso (Epävarmuus K=3dB(A)) Äänenvoimakkuus (Epävarmuus K=3dB(A))	68,24 dB(A) 79,20 dB(A)
<b>Käytä kuulosuojaimia!</b>	
Värähtelyn yhteisarvot (kolmen suunnan vektorisummitattuna EN 60745 mukaan. Kiilloittaminen Värähtelyemissioarvo a <sub>h,p</sub> Epävarmuus K Hiekkapaperihionta Värähtelyemissioarvo a <sub>h,ds</sub> Epävarmuus K	2,95 m/s <sup>2</sup> 1,83 m/s <sup>2</sup>  2,3 m/s <sup>2</sup> 1,5 m/s <sup>2</sup>

## VAROITUS

Näissä ohjeissa mainittu värähtelytaso on mitattu EN 60745 -standardin mukaisella mittausmenetelmällä ja sitä voidaan käyttää sähkötyökalujen vertaamiseen. Sitä voidaan käyttää myös värähtelyrasituksen väliaikaiseen arviointiin.

Mainittu värähtelytaso edustaa sähkötyökalun pääasiallista käyttöä. Jos sähkötyökalua kuitenkin käytetään muihin tehtäviin, poikkeavin työkaluin tai riittämättömästi huoltaen, värähtelytaso voi olla erilainen. Se voi korottaa värähtelyrasitusta koko työajan osalta.

Tarkan värähtelyrasituksen toteamiseen tulee ottaa huomioon aika, jona laite on kytketty pois tai on kylläkin päällä, mutta ei käytössä. Se voi pienentää värähtelyrasitusta koko työajan osalta.

Määrittele lisäturvatoimenpiteitä käyttäjän suojaamiseksi värinöiden vaikutukselta, kuten esimerkiksi: sähkötyökalujen ja käyttötyökalujen huolto, käsien lämpiminä pitäminen, työvaiheiden organisaatio.

**VAROITUS! Lue kaikki turvallisuusmääräykset ja ohjeet.** Turvallisuusohjeiden noudattamisen laiminlyönti saattaa johtaa sähköiskuun, tulipaloon ja/tai vakavaan loukkaantumiseen.

**Säilytä kaikki turvallisuus- ja muut ohjeet tulevaisuutta varten.**

## KIILLOTUS-/HIOMAKONEEN TURVALLISUUSMÄÄRÄYKSET

**Yhteiset turvallisuusohjeet hiekkapaperihiomista ja kiillotusta:**

**a) Tätä sähkötyökalua tulee käyttää teräsharjamakoneena ja hiekkapaperihiomakoneena. Ota huomioon kaikki varo-ohjeet, ohjeet, piirustukset ja tiedot, joita saat sähkötyökalun kanssa.** Ellet noudata seuraavia ohjeita, saattaa se johtaa sähköiskuun, tulipaloon ja/tai vaikeisiin loukkaantumisiin.

**b) Tämä sähkötyökalu ei sovellu katkaisu- ja karkeahiontalaikat ja teräsharja.** Sellainen käyttö, jota varten sähkötyökalua ei ole tehty, saattaa aiheuttaa vaaratilanteita ja vammoja.

**c) Älä käytä mitään lisälaitteita, joita ei valmistaja ole tarkoittanut tai suositellut nimenomaan tälle sähkötyökalulle.** Vain se, että pystyt kiinnittämään laitetta sähkötyökaluusi ei takaa sen turvallista käyttöä.

**d) Käyttötyökalun sallitun kierrosluvun täytyy olla vähintään yhtä korkea kuin sähkötyökalulla ilmoitettu**

**korkein kierrosluku.** Sallittua nopeammin pyörivät lisävarusteet voivat rikkoutua ja lentää ympärinsä.

**e) Käyttötyökalun ulkohalkaisijan ja paksuuden täytyy vastata sähkötyökalun mittatietoja.** Väärin mitoitettuja käyttötyökaluja ei voida suojata tai kontrolloida riittävästi.

**f) Lisävarusteiden kierteiden täytyy olla samat kuin hiomakaran kiertteet. Jos lisävarusteet asennetaan laipan avulla, niin lisävarusteen poranreian tulee olla sama kuin LAIPAN halkaisija.** Lisävarusteet, jotka eivät sovi laitteeseen, pyörivät epätasaisesti, tärisivät liian voimakkaasti ja saattavat aiheuttaa laitteen hallinnan menetyksen.

**g) Älä käytä vaurioituneita vaihtotyökaluja.** Tarkista ennen jokaista käyttöä, ettei vaihtotyökalussa, kuten hiomalaikoissa ole pirstoutumia tai halkemia, hiomalautasessa halkeamia tai voimakasta kulumista, teräsharjassa irtonaisia tai katkenneita lankoja. Jos sähkötyökalu tai vaihtotyökalu putoaa, tulee tarkistaa, että se on kunnossa tai sitten käyttää ehjää vaihtotyökalua. Kun olet tarkistanut ja asentanut vaihtotyökalun, pidä itsesi ja lähistöllä olevat henkilöt loitolla pyörivän vaihtotyökalun tasosta ja anna sähkötyökalun käydä minuahti täydellä kierrosluvulla. Vaurioituneet vaihtotyökalut menevät yleensä rikki tässä ajassa.

**h) Käytä henkilökohtaisia suojavarusteita.** Käytä käytöstä riippuen kokokasvonaamiota, silmäsuojusta tai suojalaseja. Jos mahdollista, käytä polynaamaria, kuulonsuojainta, suojakäsineitä tai erikoissuojavaatetta, joka suojaa sinut pieniltä hioma- ja materiaalihiukkasilta. Silmät tulee suojata lenteleviltä vierailta esineiltä, jotka

saattavat syntyä erilaisessa käytössä. Pöly- tai hengitysuojanaamareiden täytyy suodattaa pois työstössä syntyvä pöly. Jos olet pitkään alltiina voimakkaalle melulle, saattaa se vaikuttaa heikentävästi kuuloon.

**i) Huolehdi siitä, että muut henkilöt ovat turvallisen välimatkan päässä työalueestasi.** Jokaisen, joka astuu työalueelle, täytyy käyttää henkilökohtaisia suojava-rustuksia. Työstettävän kappaleen tai rikkoutuneiden käyttötyökalujen irtonaiset palat voivat lentää ympäriinsä ja aiheuttaa loukkaantumisia myös varsinaisen työalueen ulkopuolella.

**j) Pitele laitetta vain eristetyistä tarttumapinnoista, kun suoritat sellaisia töitä, joissa leikkaustyökalu saattaa osua piilossa oleviin sähköjohtoihin.** Kosketus jännitteelliseen johtoon saattaa tehdä myös laitteen metalliosat jännitteellisiksi ja aiheuttaa sähköiskun.

**k) Älä koskaan laske sähkötyökalua pois, ennen kuin käyttötyökalu on pysähtynyt täydellisesti.** Pyörivä käyttötyökalu voi joutua kosketuksiin laskeutumispinnan kanssa, minkä seurauksena voit menettää sähkötyökalun hallinnan.

**l) Älä koskaan pidä sähkötyökalua käynnissä sitä kan-taessasi.** Vaatteesi voi hetkellisen kosketuksen seurauksena tarttua kiinni pyörivään vaihtotyökaluun, joka saattaa porautua kehoosi.

**m)Puhdista sähkötyökalusi tuuletusaukot säännöllisesti.** Moottorin tuuletin imee pölyä työkalun koteloon, ja voimakas metallipölyn kasautuma voi synnyttää sähköisiä vaaratilanteita.

**n) Älä käytä sähkötyökalua helposti palavien materiaalien läheisyydessä.** Kipinät voivat sytyttää nämä materiaalit.

**o) Älä ota käyttöön työkaluja, jotka vaativat nestemäisiä jäähdytysaineita.** Veden tai muiden nestemäisten jäähdytysaineiden käytöstä voi olla seurauksena sähköisku.

## Takaisku ja vastaavat varo-ohjeet

Takaisku on äkillinen reaktio, joka syntyy pyörivän vaihtotyökalun, kuten hiomalaikan, hiomalautasen tai teräsharjan tarttuessa kiinni tai jäädessä puristukseen. Tarttuminen tai puristukseen joutuminen johtaa pyörivän vaihtotyökalun äkilliseen pysähdykseen. Tällöin hallitsematon sähkötyökalu sinkoutuu tarttumakohdasta vaihtotyökalun kiertosuunnasta vastakkaiseen suuntaan.

Jos esim. hiomalaikka tarttuu tai joutuu puristukseen työkappaleeseen, saattaa hiomalaikan reuna, joka on uponnut työkappaleeseen, juuttua kiinni aiheuttaen hiomalaikan ponnahtuksen ulos työkappaleesta tai aiheuttaa takaiskun. Hiomalaikka liikkuu silloin käyttävää henkilöä vasten tai pois päin hänestä, riippuen laikan kiertosuunnasta tarttumakohdassa. Tällöin hiomalaikka voi myös murtua.

Takaisku johtuu sähkötyökalun väärinkäytöstä tai käytöstä väärään tarkoitukseen. Se voidaan estää sopivin varoitoimin, joita selostetaan seuraavassa.

**a) Pitele sähkötyökalua tukevasti ja saata keho si käsivartesi asentoon, jossa pystyt vastaamaan takaiskuvoimiin.** Käytä aina lisäkahvaa, jos sinulla on sellainen, jotta pystyisit parhaalla mahdollisella tavalla hallitsemaan takaiskuvoimia tai vastamomenteja työkalun ryntökäynnissä. Käyttävä henkilö pystyy hallitsemaan takaisku ja vastamomentitvoimat noudattamalla sopivia suojatoimenpiteitä.

**b) Älä koskaan tuo kättäsi lähelle pyörivää vaihtotyökalua.** Vaihtotyökalu saattaa takaiskun sattuessa liikkua kätesi yli.

**c) Vältä pitämästä kehoasi alueella, johon sähkötyökalu liikkuu takaiskun sattuessa.** Takaisku pakottaa sähkötyökalun vastakkaiseen suuntaan hiomalaikan liikkeeseen nähden tarttumiskohdassa.

**d) Työskentele erityisen varovasti kulmien, terävien reunojen jne. alueella, estä vaihtotyökalua ponnahtamasta takaisin työkalupääleestä ja juuttumasta kiinni.** Pyörivällä vaihtotyökalulla on taipumus juuttua kiinni kulmissa, terä-

vissä reunoissa tai saadessaan kimmokkeen. Tämä johtaa hallinnan pettämiseen tai takaiskuun.

**e) Älä käytä ketjusahan tai hammastettua sahan terää.** Sellaiset käyttötyökalut aiheuttavat usein takaiskun tai sähkötyökalun hallinnan menettämisen.

## Erityiset varo-ohjeet kiillotukseen

**a) Älä hyväksy mitään irtonaisia osia kiillotushupussa, esim. kiinnitysnauhoja. Piilota tai lyhennä kiinnitysnauhat.** Irtonaiset pyörivät kiinnitysnauhat voivat tarttua sormeesi tai työkappaleeseen.

## Erityiset varoohjeet hiekkapaperihiontaan

**a) Älä käytä ylisuuria hiomapyöröjä, vaan noudata valmistajan ohjeita hiomapyöröjen koosta.** Hiomapyöröt jotka ulottuvat hiomalautasen ulkopuolelle, saattavat aiheuttaa loukkaantumista tai johtaa kiinnijuuttumiseen, hiomapyörön repeytymiseen tai takaiskuun.

## Täydentäviä turvallisuusmääräyksiä ja työskentelyohjeita

Metallien hionnassa syntyy kipinöintiä. Tarkista, ettei kenellekään aiheuteta vaaraa. Tulipalovaaran takia ei lähistöllä saa olla mitään palavia aineita (kipinäetäisytydellä). Pölynpoistoa ei käytetä.

Vältä sinkoilevien kipinöiden ja hiomapölyn osumista kehoosi.

Älä koskaan vie käsiä käynnissä olevan koneen vaarallisille alueille.

Pysäytä laite välittömästi jos siinä esiintyy huomattavaa värähtelyä tai huomaat muuta puutetta. Tarkista kone vian aiheuttajan määrittämiseksi.

Lastuja tai puruja ei saa poistaa koneen käydessä.

Käytettyjä vaihtoakkuja ei saa poltaa eikä poistaa normaalin jätehuollon kautta. Milivaukeella on tarjolla vanhoja vaihtoakkuja varten ympäristöystävällinen jätehuoltopalvelu.

Vaihtoakkuja ei saa säilyttää yhdessä metalliesineiden kanssa (oikosulkuvaara).

Käytä ainoastaan System C12 latauslaitetta System C12 akkujen lataukseen. Älä käytä muiden järjestelmien akkuja.

Vaihtoakkuja ja latauslaitteita ei saa avata. Säilytys vain kuivissa tiloissa. Suojattava kosteudelta.

Vaurioituneesta akusta saattaa erittyä suolaista nestettä tai poikkeavassa lämpötilassa ylitää akkuhappoa . Ihonkohta, joka on joutunut kosketukseen akkuhapon kanssa on viipymättä pestävä vedellä ja saippualla. Silmä, johon on joutunut akkuhappoa, on huuhdeltava vedellä vähintään 10 minuutin ajan, jonka jälkeen on viipymättä hakeuduttava lääkärin apuun.

**Varoitus!** Jotta vältetään lyhytsulun aiheuttama tulipalon, loukkaantumisen tai tuotteen vahingoittumisen vaara, älä koskaan upota työkalua, vaihtoakkuja tai latauslaitetta nesteeseen ja huolehdi siitä, ettei mitään nesteitä pääse tunkeutumaan laitteiden tai akkujen sisään. Syövyttävät tai sähköä johtavat nesteet, kuten suolavesi, tietyt kemikaalit ja lakkaisaineet tai valkaisuaineita sisältävät tuotteet voivat aiheuttaa lyhytsulun.

## TARKOITUKSEN MUKAINEN KÄYTTÖ

Hioma- ja kiillotuslaite sopii käytettäväksi hiomiseen ja kiillottamiseen. voidaan käyttää lakka- ja muovipintojen sekä muiden sileiden pintojen ja pinnoitteiden kiillotukseen.

Epäselvissä tapauksissa noudata lisävarusteiden valmistajienantamia ohjeita.

Konetta saa käyttää ainoastaan kuivatyöskentelyyn.

## TYÖSKENTELYOHJEITA

Käytä aina lisäkädensijaa.

Työstettävä kappale on kiinnitettävä, ellei se omapainonsa vuoksi pysy paikallaan. Älä koskaan vie työkalua kädelläsi hiomalaikkaa vasten.

## HUOLTO

Pidä moottorin ilmanottoaukot puhtaina.

Käytä vain Milwaukee:n lisälaitteita ja varaosia. Käytä ammattitaitoisten Milwaukee-huoltosopimusliikkeiden palveluja muiden kuin käyttöohjeessa kuvattujen osien vaihdossa. (esite takuu/huoltoilikeuutelo).

Tarpeen vaatiessa voit pyytää lähettämään laitteen kokoonpanopiirustuksen ilmoittamalla arvokilven numeron seuraavasta osoitteesta: Techtronic Industries GmbH, Max-Eyth-Straße 10, 71364 Winnenden, Germany.

## TODISTUS CE-STANDARDINMUKAISUUDESTA

Vakuutamme yksinvastuullisesti, että kohdassa "Tekniset tiedot" kuvattu tuote vastaa kaikkia sitä koskevia direktiivien 2011/65/EU (RoHS), 2014/30/EU, 2006/42/EY määräyksiä sekä seuraavia harmonisoituja standardisoivia asiakirjoja:

EN 60745-1:2009+A11:2010  
EN 60745-2-3:2011 + A2:2013  
EN 55014-1:2006+A1:2009+A2:2011  
EN 55014-2:2015  
EN 50581:2012

Winnenden, 2017-11-30

  
Alexander Krug  
Managing Director



Valtuutettu kokoamaan tekniset dokumentit.

Techtronic Industries GmbH  
Max-Eyth-Straße 10  
71364 Winnenden  
Germany

## AKKU

Pitkään käyttämättä olleet vaihtoaukot on ladattava ennen käyttöä.

Yli 50°C lämpötilassa akun suorituskyky heikkenee. Välttämään akkujen säilyttämistä auringossa tai kuumissa tiloissa.

Pidä aina latauslaitteen ja akun kosketinpinnat puhtaina. Optimaalisen käyttöön saavuttamiseksi akut on ladattava täyteen käytön jälkeen.

Mahdollisimman pitkän elinajan takaamiseksi akut tulee poistaa laturista lataamisen jälkeen.

Akkuja yli 30 päivää säilytettäessä: Säilytä akku yli 27 °C:ssa ja kuivassa. Säilytä akku sen latauksen ollessa 30 % - 50 %. Lataa akku 6 kuukauden välein uudelleen.

## LITIUM-IONIAKKUJEN KULJETTAMINEN

Litium-ioniakut kuuluvat vaarallisten aineiden kuljetuksesta annettujen lakien piiriin.

Näiden akkujen kuljettaminen täytyy suorittaa noudattaen paikallisia, kansallisia ja kansainvälisiä määräyksiä ja säädöksiä.

- Kuluttajat saavat ilman muuta kuljettaa näitä akkuja teitä pitkin.
- Kaupallisessa kuljetuksessa huolintaliikkeiden täytyy kuljettaa litium-ioniakkuja vaarallisten aineiden kuljetuksesta annettujen määräysten mukaisesti.
- Ainoastaan tähän vastaavasti koulutetut henkilöt saavat suorittaa kuljetuksen valmistelutoimet ja itse kuljetuksen. Koko prosessia tulee valvoa asiantuntevasti.

Seuraavat kohdat tulee huomioida akkuja kuljetettaessa:

- Varmista, että akkujen kontaktit on suojattu ja eristetty, jotta vältetään lyhytsulut.
- Huolehdi siitä, ettei akkusarja voi luiskahtaa paikaltaan pakkauksen sisällä.
- Vahingoittuneita tai vuotavia akkuja ei saa kuljettaa.

Pyydä tarkemmat tiedot huolintaliikkeeltäsi.

## SYMBOLIT



HUOMIO! VAROITUS! VAARA!



Ota akku pois ennen kaikkia koneeseen tehtäviä toimenpiteitä.



Lue käyttöohjeet huolellisesti, ennen koneen käynnistämistä.



Käytä laitteella työskennellessäsi aina suojalaseja.



Käytä suojakäsineitä!



Sähkölaitteita, paristoja/akkuja ei saa hävittää yhdessä kotitalousjätteiden kanssa. Sähkölaitteet ja akut tulee kerätä erikseen ja toimittaa kierrätysliikkeeseen ympäristöystävällistä hävittämistä varten. Pyydä paikallisilta viranomaisilta tai alan kauppiailta tarkemmat tiedot kierrätyspisteistä ja keräyspaikoista.



CE-merkki

ØPmax = 76 mm

Suurin kiillotusteho

ØSmax = 51 mm

Suurin hiontateho



Kansallinen standardinmukaisuusmerkki Ukraina



EurAsian-vaatimustenmukaisuusmerkki.

## ΤΕΧΝΙΚΑ ΣΤΟΙΧΕΙΑ

### μηχανή στίλβωσης/λείανσης

Αριθμός παραγωγής	M12 BPS
4477 93 03... ...000001-999999	
Τάση ανταλλακτικής μπαταρίας	12 V
Ονομαστικός αριθμός στροφών 1η ταχύτητα	0-2800 min <sup>-1</sup>
Ονομαστικός αριθμός στροφών 2η ταχύτητα	0-8300 min <sup>-1</sup>
Διάμετρος στίλβωσης	76 mm
Διάμετρος δίσκου λείανσης	51 mm
Σπείρωμα ατράκτου	M9x0,75
Βάρος σύμφωνα με τη διαδικασία EPTA 01/2003 (2,0 Ah)	1,0 kg
Βάρος σύμφωνα με τη διαδικασία EPTA 01/2003 (4,0 Ah)	1,2 kg
<b>Πληροφορίες θορύβου/δονήσεων</b> Τιμές μέτρησης εξακριβωμένες κατά EN 60 745. Η σύμφωνη με την καμπύλη A εκτιμηθείσα στάθμη θορύβου του μηχανήματος αναφέρεται σε: Στάθμη ηχητικής πίεσης (Ανασφάλεια K=3dB(A)) Στάθμη ηχητικής ισχύος (Ανασφάλεια K=3dB(A)) <b>Φοράτε προστασία ακοής (ωασιπίδες)!</b> Υλικές τιμές κραδασμών (άθροισμα διανυσμάτων τριών διευθύνσεων) εξακριβώθηκαν σύμφωνα με τα πρότυπα EN 60745. Στίλβωμα Τιμή εκπομπής δονήσεων a <sub>n,p</sub> Ανασφάλεια K Λείανση με γυαλόχαρτο Τιμή εκπομπής δονήσεων a <sub>n,DS</sub> Ανασφάλεια K	68,24 dB(A) 79,20 dB(A)  2,95 m/s <sup>2</sup> 1,83 m/s <sup>2</sup>  2,3 m/s <sup>2</sup> 1,5 m/s <sup>2</sup>

## ΠΡΟΕΙΔΟΠΟΙΗΣΗ

Το αναφερόμενο σ' αυτές τις οδηγίες επίπεδο δονήσεων έχει μετρηθεί με μια τυποποιημένη σύμφωνα με το EN 60745 μέθοδο μέτρησης και μπορεί να χρησιμοποιηθεί για τη σύγκριση των ηλεκτρικών εργαλείων μεταξύ τους. Αυτό είναι επίσης κατάλληλο για μια προσωρινή εκτίμηση της επιβάρυνσης των δονήσεων.

Το αναφερόμενο επίπεδο δονήσεων αντιπροσωπεύει τις κύριες χρήσεις του ηλεκτρικού εργαλείου. Εάν όμως το ηλεκτρικό χρησιμοποιείται σε άλλες χρήσεις, με διαφορετικά εργαλεία εφαρμογής ή ανεπαρκή συντήρηση, μπορεί να υπάρξει απόκλιση του επιπέδου δονήσεων. Αυτό μπορεί να αυξήσει σημαντικά την επιβάρυνση των δονήσεων για τη συνολική διάρκεια της εργασίας.

Για μια ακριβή εκτίμηση της επιβάρυνσης των δονήσεων οφείλουν επίσης να λαμβάνονται υπόψη οι χρόνοι, στους οποίους η συσκευή είναι απενεργοποιημένη ή είναι μεν ενεργοποιημένη αλλά δεν χρησιμοποιείται πραγματικά. Αυτό μπορεί να μειώσει σημαντικά την επιβάρυνση των δονήσεων για τη συνολική διάρκεια της εργασίας.

Καθορίζετε πρόσθετα μέτρα ασφαλείας για την προστασία του χειριστή από την επίδραση των δονήσεων όπως για παράδειγμα: Συντήρηση του ηλεκτρικού εργαλείου και των εργαλείων εφαρμογής, διατηρείτε ζεστά τα χέρια, οργάνωση των διαδικασιών εργασίας.

**⚠ ΠΡΟΣΟΧΗ!** Διαβάστε όλες τις οδηγίες ασφαλείας και τις οδηγίες χρήσεως. Αμέλειες κατά την τήρηση των προειδοποιητικών υποδείξεων μπορεί να προκαλέσουν ηλεκτροπληξία, κίνδυνο πυρκαγιάς ή και σοβαρούς τραυματισμούς. Φυλάξτε όλες τις προειδοποιητικές υποδείξεις και οδηγίες για κάθε μελλοντική χρήση.

## ⚠ ΟΔΗΓΙΕΣ ΑΣΦΑΛΕΙΑΣ ΓΙΑ ΤΗΝ ΜΗΧΑΝΗ ΣΤΙΛΒΩΣΗΣ/ΛΕΙΑΝΣΗΣ

Κινόνες προειδοποιητικές υποδείξεις για και λείανση με σμιριδόχαρτο και για στίλβωση

a) Αυτό το ηλεκτρικό εργαλείο πρέπει να χρησιμοποιείται σαν για στίλβωση καθώς και λειαντήρας με σμιριδόχαρτο. Να λαμβάνετε πάντοτε υπόψη σας όλες τις προειδοποιητικές υποδείξεις, τις οδηγίες, τις απεικονίσεις και τα στοιχεία που σας παραδίδονται μαζί με το ηλεκτρικό εργαλείο. Η μη τήρηση των οδηγιών που ακολουθούν, μπορεί να οδηγήσει σε ηλεκτροπληξία, φωτιά και/ή σε σοβαρούς τραυματισμούς.

b) Αυτό το ηλεκτρικό εργαλείο δεν είναι κατάλληλο κόψιμο και ξεχόνδρισμα και εργασίες με μεταλλικές βούρτσες. Χρήσεις, οι οποίες δεν προβλέπονται για το ηλεκτρικό εργαλείο μπορούν να οδηγήσουν σε κινδύνους και να προκαλέσουν τραυματισμούς.

c) Μη χρησιμοποιήσετε ποτέ εξαρτήματα που δεν προβλέπονται και δεν προτάθηκαν από τον κατασκευαστή ειδικά γι' αυτό το ηλεκτρικό εργαλείο. Μόνο η διαπίστωση ότι μπορείτε να στερεώσετε ένα εξάρτημα στο ηλεκτρικό εργαλείο σας δεν εγγυάται την ασφαλή χρήση του.

d) Ο επιτρεπτός αριθμός στροφών του ανταλλακτικού εξαρτήματος πρέπει να είναι τουλάχιστον τόσο υψηλός όσο ο μέγιστος αριθμός

στροφών που αναφέρεται επάνω στο ηλεκτρικό εργαλείο. Εξαρτήματα τα οποία περιστεφώνονται με ταχύτητα μεγαλύτερη από την επιτρεπτή, ενδέχεται να σπαστούν και να εκσφενδονιστούν.

e) Η εξωτερική διάμετρος και το πάχος του ανταλλακτικού εξαρτήματος πρέπει να ανταποκρίνονται στις διαστάσεις του ηλεκτρικού σας εργαλείου. Ανταλλακτικά εξαρτήματα με εσφαλμένους διαστάσεις δε μπορούν να καλυφθούν ή να ελεγχθούν επαρκώς.

f) Το πάσο των αξεσουάρ πρέπει να ταιριάζει με το πάσο του άξονα (ελικοειδή κοχλία). Για αξεσουάρ που μοντράρονται με παρέμβυσμα πρέπει η οπή του αξεσουάρ να είναι ίδια σε διάμετρο με το παρέμβυσμα. Αξεσουάρ που δεν ταιριάζουν στην συσκευή δουλεύουν έκκεντρα, δημιουργώντας πολύ δυνατές δονήσεις που μπορεί να οδηγήσουν στην απώλεια ελέγχου της συσκευής.

g) Μη χρησιμοποιείτε χαλασμένα εργαλεία. Να ελέγχετε πάντοτε τα εργαλεία που πρόκειται να χρησιμοποιήσετε, π. χ. τους δίσκους κοπής για σπασίματα και ρωγμές, του δίσκους λείανσης για ρωγμές, φθορές ή ξεφτίσματα και τις σφραγιστικές για χαλαρά ή σπασμένα σύρματα. Σε περίπτωση που το ηλεκτρικό εργαλείο ή κάποιο χρησιμοποιήσιμο εργαλείο πέσει κάτω, τότε ελέγξτε το εργαλείο μήπως έχει υποστεί κάποια βλάβη ή χρησιμοποιήστε ένα άλλο, άψογο εργαλείο. Μετά τον έλεγχο και την τοποθέτηση του εργαλείου που πρόκειται να χρησιμοποιήσετε πρέπει να απομακρύνετε τυχόν παρευρισκόμενα πρόσωπα από το επίπεδο περιστροφής του εργαλείου, κι ακολουθώντας ν' αφήσετε το ηλεκτρικό εργαλείο να εργαστεί ένα λεπτό υπό το μέγιστο αριθμό στροφών χωρίς φορτίο. Τυχόν χαλασμένα εργαλεία σπάνε ως επί το πλείστον κατά τη διάρκεια αυτού του χρόνου δοκιμής.

h) Να φοράτε πάντοτε τη δική σας, ατομική προστατευτική ενδυμασία. Να χρησιμοποιείτε επίσης, ανάλογα με την εκάστοτε





TEKNİK VERİLER	M12 BPS
<b>Polisaj/taşılama</b>	
Üretim numarası	4477 93 03... ...000001-999999
Kartuş akü gerilimi	12 V
Devir sayısı 1. viteste	0-2800 min <sup>-1</sup>
Devir sayısı 2. vites	0-8300 min <sup>-1</sup>
Parlatma tekerlek çapı	76 mm
Taşılama diski çapı	51 mm
Mil dişi	M9x0,75
Ağırlığı ise EPTA-üretici 01/2003'e göre (2,0 Ah)	1,0 kg
Ağırlığı ise EPTA-üretici 01/2003'e göre (4,0 Ah)	1,2 kg
<b>Gürültü/Vibrasyon bilgileri</b>	
Ölçüm değerleri EN 60 745 e göre belirlenmektedir.	
Aletin, frekansa bağımlı uluslararası ses basıncı seviyesi değerlendirme eğrisi A'ya göre tipik gürültü seviyesi:	
Ses basıncı seviyesi (Tolerans K=3dB(A))	68,24 dB(A)
Akustik kapasite seviyesi (Tolerans K=3dB(A))	79,20 dB(A)
<b>Koruyucu kulaklık kullanın!</b>	
Toplam titreşim değeri (üç yönün vektör toplamı) EN 60745'e göre belirlenmektedir:	
Polisaj	
Titreşim emisyon değeri a <sub>n,p</sub>	2,95 m/s <sup>2</sup>
Tolerans K	1,83 m/s <sup>2</sup>
Zımpara kağıdı ile zımparalama	
Titreşim emisyon değeri a <sub>n,DS</sub>	2,3 m/s <sup>2</sup>
Tolerans K	1,5 m/s <sup>2</sup>

## UYARI

Bu talimatlarda belirtilen titreşim seviyesi, EN 60745 standardına uygun bir ölçme metodu ile ölçülmüştür ve elektrikli el aletleri birbiriyile karşılaştırmak için kullanılabilir. Ölçüm sonuçları ayrıca titreşim yükünün geçici değerlendirmesi için de uygundur.

Belirtilen titreşim seviyesi, elektrikli el aletinin genel uygulamaları için geçerlidir. Ancak elektrikli el alet başka uygulamalar için, farklı eklenti parçalarıyla ya da yetersiz bakım koşullarında kullanılırsa, titreşim seviyesi farklılık gösterebilir. Bu durumda, titreşim yükü toplam çalışma zaman aralığı içerisinde belirgin ölçüde yükselebilir.

Titreşim yükünün tam bir değerlendirmesi için ayrıca cihazın kapalı olduğu süreler ve cihazın çalışır durumda olduğu, ancak gerçek kullanımında bulunmadığı süreler de dikkate alınmalıdır. Böylelikle, toplam çalışma zamanı aralığı boyunca meydana gelen titreşim yükü belirgin ölçüde azaltılabilir.

Kullanıcıyı titreşimlerin etkisinden korumak üzere, örneğin elektrikli el aletlerinin ve eklenti parçalarının bakımı, ellerin sıcak tutulması ve iş açıklarının organizasyonu gibi ek güvenlik tedbirleri belirleyiniz.

**⚠ UYARI! Bütün güvenlik notlarını ve talimatları okuyunuz.** Açıklanan uyarılara ve talimat hükümlerine uyulmadığı takdirde elektrik çarpmalarına, yangınlara ve/veya ağır yaralanmalara neden olunabilir. **Bütün uyarıları ve talimat hükümlerin ileride kullanmak üzere saklayın.**

### ⚠ POLİSAJ/TAŞLAMA MAKİNESİ GÜVENLİK UYARILARI

Kumlu zımpara kağıdı ile zımparalama ve polisaj için müşterek uyarılar:

**a) Bu elektrikli el aleti kumlu zımpara kağıdı ile zımparalama olarak kullanılmak üzere geliştirilmiştir ve polisaj. Elektrikli el aleti ile birlikte teslim edilen bütün uyarılara, talimata, şekillere ve verilere uyun hareket edin.** Aşağıdaki talimat hükümlerine uymadığınız takdirde elektrik çarpması, yangın veya ağır yaralanma tehlikesi ile karşılaşabilirsiniz.

**b) Bu elektrikli alet uygun değildir, ayırma ve kaba taşılama ile tel fırça ve ayırma taşılatıcıları.** Elektrikli alet için öngörülmeyen kullanımlar risklere ve yaralanmalara sebebiyet verebilir.

**c) Üretici tarafından özel olarak bu alet öngörülmeyen ve tavsiye edilmeyen aksesuar kullanmayın.** Bir aksesuarı elektrikli el aletinize takabiliyor olmanız güvenli kullanımı garanti etmez.

**d) Kullanılan takımın izin verilen devri, en az elektrikli cihaz üzerinde yazılı azami devir kadar yüksek olmalıdır.**

İzin verileden daha hızlı dönen aksesuar kırılabilir ve etrafa fırlayabilir.

**e) Kullanılan takımın dış çapı ve kalınlığı elektrikli cihazın ölçü bilgilerine uygun olmalıdır.** Yanlış ölçüye sahip takımlar yeteri kadar korunamaz veya kontrol edilemezler.

**f) Aksesuar parçalarının dişlileri taşılama milinin dişlilerine uygun olmalıdır.** Bir flanş yardımıyla monte edilen aksesuar parçalarında, aksesuar parçasının deliği FLANS çapına uygun olmalıdır. Cihazta oturmayan aksesuar parçaları tam dairesel dönmeyler, aşırı titreşirler ve cihaz üzerindeki hâkimiyetin kaybedilmesine neden olabılırlr.

**g) Hasarlı uçları kullanmayın.** Her kullanımdan önce taşılama disklerinde çatlak ve çizik olup olmadığını, zımpara tablalarında çizik ve aşınma olup olmadığını, tel fırçalarda gevşeme veya kırık teller olup olmadığını kontrol edin. Elektrikli el aleti veya uç yere düşecek olursa hasar görüp görmediklerini kontrol edin, gerekiyorsa hasar görmemiş başka bir uç kullanın. Kullanacağınız ucu kontrol edip taktıktan sonra ucun dönme alanı yakınında bulunan kişileri uzaklaştırın ve elektrikli el aletini bir dakika en yüksek devir sayısında çalıştırın. Hasarlı uçlar çoğu zaman bu test süresinde kırılır.

**h) Kişisel koruyucu donanım kullanın. Yaptığımız işe göre tam yüz siperliği, göz koruma donanımı veya koruyucu gözlük kullanın. Eğer uygunsa küçük taşılama ve malzeme parçacıklarına karşı koruma sağlayan toz**

**maskesi, koruyucu kulaklık, koruyucu iş eldivenleri veya özel iş önlüğü kullanın.** Gözler çeşitli uygulamalarda etrafa savrulan parçacıklardan korunmalıdır. Toz veya soluma maskesi çalışma sırasında ortaya çıkan tozları filtre eder. Uzun süre yüksek gürültü altında çalışırsanız işitme kaybına uğrayabilirsiniz.

**i) Diğer insanların çalışma sahanıza güvenli mesafede durmasına dikkat ediniz. Çalışma sahasına giren herkes kişisel koruyucu donanım kullanmalıdır.** İş parçası kırıkları veya kırılan takımlar savrulabilir ve doğrudan çalışma sahasının dışında da yaralanmalara neden olabilir.

**j) Kesme aletinin eğrilmiş elektrik kabloları isabet eden çalışmalar yapılırken cihazı izole edilmiş kollarında tutun.** Voltaj geçiren borular ile temas etme durumu metal olan cihaz parçalarını voltaja tabi tutabilir ve elektrik çarpmasına sebebiyet verir.

**k) Takım tamamen durmadan elektrikli cihazı asla yere koymayınız.** Dönen takımın bırakılan yüzeyle temas etmesi durumunda elektrikli cihazın kontrolünü kaybedebilirsiniz.

**l) Elektrikli el aletini çalışır durumda taşımayın.** Giysileriniz rastlantı sonucu dönmekte olan uç tarafından tutulabilir ve uç bedeninize temas edebilir.

**m)Elektrikli el aletinizin havalandırma deliklerini düzenli olarak temizleyin.** Motor fanı tozu gövdeye çeker ve metal tozunun aşırı birikimi elektrik çarpma tehlikesini ortaya çıkarır.

**n) Elektrikli cihazı asla yanıcı malzemelerin yanında kullanmayınız.** Kıvılcımlar bu malzemeleri tutuşturabilir.

**o) Sıvı soğutma maddeleri gerektiren takımlar kullanmayınız.** Su veya sıvı başka soğutma maddelerinin kullanılması elektrik çarpmasına yol açabilir.

### Gerri tepme ve buna ait uyarılar

Gerri tepme, dönmekte olan taşılama diski, zımpara tablası, tel fırça ve benzeri uçların takılması veya bloke olması sonucu ortaya çıkan ani tepkidir. Takılma ve blokaj dönmekte olan ucun ani olarak durmasına neden olur. Bu gibi durumlarda elektrikli el aleti blokaj yerinden ucun dönme yönünün tersine doğru savrulur.

Örneğin bir taşılama diski iş parçası içinde takılır veya bloke olursa, taşılama diskinin içine giren kenarı tutulur ve disk kırılır veya geri tepme kuvvetinin ortaya çıkmasına neden olur. Bu durumda taşılama diski blokaj yerinden, diskin dönme yönüne bağlı olarak kullanıcıya doğru veya kullanıcının tersine hareket eder. Bu gibi durumlarda taşılama disklerinin kırılma olasılığı da vardır.

Gerri tepme kuvveti elektrikli el aletinin yanlış veya hatalı kullanımı sonucu ortaya çıkar. Gerri tepme kuvvetleri aşağıda açıklanan koruyucu önlemlerle önlenebilir.

**a) Elektrikli el aletini sıkıca tutun ve bedeniniz ile elerinizi geri tepme kuvvetlerini rahatça karşılayabilecek duruma getirin.** Alet hızlanırken ortaya çıkabilecek geri tepme kuvvetlerini veya reaksiyon momentlerini optimal ölçüde karşılayabilmek için eğer varsa her zaman ek tutamağı kullanın. Kullanıcı uygun önlemler alarak geri tepme ve reaksiyon kuvvetlerine hakim olabilir.

**b) Elinizi hiçbir zaman dönen ucun yakınına getirmeyin.** Uç geri tepme sırasında elinize doğru hareket edebilir.

**c) Bedeninizi geri tepme sırasında elektrikli el aletinin hareket edebileceği alandan uzak tutun.** Gerri tepme kuvveti elektrikli el aletini blokaj yerinden taşılama diskinin dönme yönünün tersine doğru iter.

**d) Özellikle köşeleri, keskin kenarları ve benzerlerini işlerken dikkatli olun. Ucun iş parçasından dışarı çıkmasını ve takılıp sıkışmasını önleyin.** Dönmekte olan uç köşelerde, keskin kenarlarda çalışırken sıkışmaya eğilimlidir. Bu ise kontrol kaybına veya geri tepmeye neden olur.

**e) Zincirli veya dişli testere bıçakları kullanmayınız.** Bu gibi takımlar sıklıkla geri tepmeye veya elektrikli cihaz üzerindeki kontrolün kaybedilmesine neden olur.

### Polisaj işlemine ait özel uyarılar

**a) Özellikle tespit ipi olmak üzere polisaj kapağında gevşek parça bırakmayın.** Tespit iplerini düzğünce yerleştirin veya kısaltın; birlikte dönen tespit ipleri parmaklarınızı kapabilir veya iş parçasına sarılabilir.

### Zımpara kağıtları ile çalışmaya ait özel uyarılar

**a) Boyutları yüksek zımpara kağıtlarını kullanmayın, zımpara kağıtları için üreticinin verilerine uyun.** Zımpara tablasından dışarı çıkıntı yapan zımpara kağıtları yaralanmalara neden olabılırler, blokaja neden olabılırler, yırtılabilirler veya geri tepme kuvvetlerinin oluşmasına neden olabılırler.

### Ek güvenlik ve çalışma talimatları

Taşılama işlemi sırasında ortaya çıkan kıvılcımlara dikkat edin, yanıcı malzemeler tutuşabilir.

Uçuşan kıvılcımların ve taşılama tozunun vücudunuza çarpmasına sakının.

Dönmekte olan bıçağın tehlike alanındaki hiçbir şeye dokunmayın!

Hissedilir ölçüde titreşim oluşmaya başlarsa veya normal olmayan başka aksaklıklar ortaya çıkarsa aleti hemen kapatın. Bu aksaklıkların nedenini belirlemek için aleti kontrol edin.

Alet çalışır durumda iken talaş ve kırpıntıları temizlemeye çalışmayın.

Kullanılmış kartuş aküleri ateşe veya ev çöplerine atmayın. Milwaukee, kartuş akülerin çevreye zarar vermeyecek biçimde tasfiye edilmesine olanak sağlayan hizmet sunar; Lütfen bu konuda yetkili satıcınıza bilgi alın.

Kartuş aküleri metal parça veya eşyalarla birlikte saklamayın (kısa devre tehlikesi).

C18 sistemli kartuş aküleri sadece C12 sistemli şarj cihazları ile şarj edin. Başka sistemli aküleri şarj etmeyin.

Kartuş aküleri ve şarj cihazınızı açmayın ve sadece kuru yerlerde saklayın. Neme ve ıslanmaya karşı koruyun.

Aşırı zorlanma veya aşırı ısınma sonucu hasar gören kartuş akülerden batarya sıvısı dışarı akabilir. Batarya sıvısı ile temasa gelen yeri hemen bol su ve sabunla yıkayın. Batarya sıvısı gözünüze kaçacak olursa en azından 10 dakika yıkayın ve zaman geçirmeden bir hekime başvurun.

**Uyarı!** Bir kısa devreden kaynaklanan yangın, yaralanma veya ürün hasarları tehlikesini önlemek için aleti, güç paketini veya şarj cihazını asla sıvıların içine daldırmayınız ve cihazların ve pillerin içine sıvı girmesini önleyiniz. Tuzlu su, belirli kimyasallar, ağartıcı madde veya ağartıcı madde içeren ürünler gibi korozyif veya iletken sıvılar kısa devreye neden olabilir.

#### KULLANIM

Taşılama ve polisaj cihazı metal olan üst yüzeylerin taşlanması ve polisaj yapılması için uygundur. Polisaj uçları lakların, kaplamaların, plastiklerin ve diğer parlak yüzeyli malzemenin polisajı için kullanılabılır.

örneğin metal veya taş ve plastik taşılamatabağı ile taşılama ve çelik tel fırça ile çalışırken.

Bu elektrikli alet sadece susuz çalışmak için uygundur.

#### ÇALIŞMA AÇIKLAMALARI

Daima ilave sapı kullanın.

Kendi ağırlığı ile güvenli biçimde durmuyorsa iş parçasının uygun bir tertibatla sıkıca tespit edilmesi gerekir. İş parçasını hiçbir zaman elinizle diske doğru tutmayın.

#### BAKIM

Aletin havalandırma aralıklarını daima temiz tutun.

Sadece Milwaukee aksesuarını ve yedek parçalarını kullanın. Değiştirilmesi açıklanmamış olan parçaları bir Milwaukee müşteri servisinde değiştirin (Garanti broşürüne ve müşteri servisi adreslerine dikkat edin).



Gerektiği takdirde aletin dağınık görünüş şeması, alet tipinin ve tip etiketi üzerindeki sayının bildirilmesi koşuluyla müşteri servisinden veya doğrudan Techtronic Industries GmbH, Max-Eyth-Straße 10, 71364 Winnenden, Germany adresinden istenebilir.

## CE UYGUNLUK BEYANI

Tek sorumlu olarak "Teknik Veriler" bölümünde tarif edilen ürünün 2011/65/EU (RoHS), 2014/30/EU, 2006/42/EC sayılı direktifin ve aşağıdaki harmonize temel belgelerin bütün önemli hükümlerine uygun olduğunu beyan etmekteyiz:

EN 60745-1:2009+A11:2010  
EN 60745-2-3:2011 + A2:2013  
EN 55014-1:2006+A1:2009+A2:2011  
EN 55014-2:2015  
EN 50581:2012

Winnenden, 2017-11-30



Alexander Krug  
Managing Director



Teknik evrakları hazırlamakla görevlendirilmiştir.

Techtronic Industries GmbH  
Max-Eyth-Straße 10  
71364 Winnenden  
Germany

## AKÜ

Uzun süre kullanım dışı kalmış kartuş aküleri kullanmadan önce şarj edin.

50°C üzerindeki sıcaklıklar kartuş akünün performansını düşürür. Akünün güneş ışığı veya mekân sıcaklığı altında uzun süre ısınmamasına dikkat edin.

Şarj cihazı ve kartuş aküdeki bağlantı kontaklarını temiz tutun.

Akünün ömrünün mükemmel bir şekilde uzun olması için kullandıktan sonra tamamen doldurulması gerekir.

Ömrünün mümkün olduğu kadar uzun olması için akülerin yüklemeye yapıldıktan sonra doldurma cihazından uzaklaştırılması gerekir.

Akünün 30 günden daha fazla depolanması halinde: Aküyü yaklaşık 27°C'de kuru olarak depolayın.

Aküyü yüklemeye durumunun takriben % 30 - %50 olarak depolayın.

Aküyü her 6 ay yeniden doldurun.

## LİTYUM İYON PİLLERİN TAŞINMASI

Lityum iyon piller tehlikeli madde taşımacılığı hakkındaki yasal hükümler tabidir.

Bu piller, bölgesel, ulusal ve uluslararası yönetmeliklere ve hükümlere uyularak taşınmak zorundadır.

- Tüketiciler bu pilleri herhangi bir özel şart aranmaksızın karayoluyla taşıyabilirler.
- Lityum iyon pillerin nakliye şirketleri tarafından ticari taşımacılığı için tehlikeli madde taşımacılığının hükümleri geçerlidir. Şevk hazırlığı ve taşıma sadece ilgili eğitimi görmüş personel tarafından gerçekleştirilebilir. Bütün süreç uzmanca bir refakatçilik altında gerçekleştirilmek zorundadır.

Pillerin taşınması sırasında aşağıdaki hususlara dikkat edilmesi gerekmektedir:

- Kısa devre oluşmasını önlemek için kontakların korunmuş ve izole edilmiş olmasını sağlayınız.
- Pil paketinin ambalajı içinde kaymamasına dikkat ediniz.
- Hasarlı veya akmış pillerin taşınması yasaktır.

Ayrıca bilgiler için nakliye şirketinize başvurunuz.

## SEMBOLLER



DİKKAT! UYARI! TEHLİKE!



Aletin kendinde bir çalışma yapmadan önce kartuş aküyü çıkarın.



Lütfen aleti çalıştırmadan önce kullanma kılavuzunu dikkatli biçimde okuyun.



Aletle çalışırken daima koruyucu gözlük kullanın.



Koruyucu eldivenlerinizi takınız!



Elektrikli cihazların, pillerin/akülerin evsel atıklarla birlikte bertaraf edilmesi yasaktır. Elektrikli cihazlar ve aküler ayrılarak biriktirilmeli ve çevreye zarar vermeden bertaraf edilmeleri için bir atık değerlendirme tesisine götürülmelidirler. Yerel makamlara veya satıcınıza geri dönüşüm tesisleri ve atık toplama merkezlerinin yerlerini danışınız.



CE işareti

ØPmax = 76 mm

Maksimum polisaj gücü

ØSmax = 51 mm

Maksimum taşlama gücü



Ulusal uygunluk işareti Ukrayna



EurAsian Uyumluluk işareti

## TECHNICKÁ DATA

Leštička/Bruska	M12 BPS
Výrobní číslo	4477 93 03... ...000001-999999
Napětí výměnného akumulátoru	12 V
Jmenovité otáčky na 1.st.rychlosti	0-2800 min <sup>-1</sup>
Jmenovité otáčky na 2.st.rychlosti	0-8300 min <sup>-1</sup>
Průměr leštící kotouče	76 mm
Průměr brusného kotouče	51 mm
Závit vřetene	M9x0,75
Hmotnost podle prováděcího předpisu EPTA 01/2003 (2,0 Ah)	1,0 kg
Hmotnost podle prováděcího předpisu EPTA 01/2003 (4,0 Ah)	1,2 kg
<b>Informace o hluku / vibracích</b> Naměřené hodnoty odpovídají EN 60 745. V třídě A posuzovaná hladina hluku přístroje činí typicky: Hladina akustického tlaku (Kolísavost K=3dB(A)) Hladina akustického výkonu (Kolísavost K=3dB(A)) <b>Používejte chrániče sluchu !</b> Celkové hodnoty vibrací (vektorový součet tří směrů) zjištěné ve smyslu EN 60745. Leštění Hodnota vibračních emisí a <sub>h,p</sub> Kolísavost K Broušení skelným papírem Hodnota vibračních emisí a <sub>h,ds</sub> Kolísavost K	68,24 dB(A) 79,20 dB(A)  2,95 m/s <sup>2</sup> 1,83 m/s <sup>2</sup>  2,3 m/s <sup>2</sup> 1,5 m/s <sup>2</sup>

## VAROVÁN

Úroveň chvění uvedená v tomto návodu byla naměřena podle metody měření stanovené normou EN 60745 a může být použita pro porovnání elektrického nářadí. Hodí se také pro průběžný odhad zatížení chvěním.

Uvedená úroveň chvění představuje hlavní účely použití elektrického nářadí. Jestliže se ale elektrické nářadí používá pro jiné účely, s odlišnými nástroji nebo s nedostatečnou údržbou, může se úroveň chvění odlišovat. To může značně zvýšit zatížení chvěním během celé pracovní doby.

Pro přesný odhad zatížení chvěním se musí také zohlednit časy, během kterých je přístroj vypnutý nebo kdy je sice v chodu, ale skutečně se s ním nepracuje. To může zatížení chvěním během celé pracovní doby značně snížit.

Stanovte doplňková bezpečnostní opatření pro ochranu obsluhy před účinky chvění jako například: technická údržba elektrického nářadí a nástrojů, udržování teploty rukou, organizace pracovních procesů.

**⚠ UPOZORNĚNÍ! Přečtěte si všechny bezpečnostní pokyny a návody.** Zanedbání při dodržování varovných upozornění a pokynů mohou mít za následek úder elektrickým proudem, požár a/nebo těžká poranění.  
**Všchna varovná upozornění a pokyny do budoucna uschovejte.**

## ⚠ BEZPEČNOSTNÍ POKYNY LEŠTIČKA/BRUSKA

**Společná varovná upozornění k smirkování a leštění:**

**a) Toto elektronářadí se používá jako leštička a bruska brusným papírem. Dbejte všech varovných upozornění, pokynů, zobrazení a údajů, jež jste s elektronářadím obdrželi.** Pokud následující pokyny nedodržíte, může to vést k úderu elektrickým proudem, požáru nebo těžkým poraněním.

**b) Toto elektrické nářadí není vhodné k řezání a hrubování brusným kotoučem a kartáčování.** Použití tohoto elektrického nářadí k jiným než určeným účelům může vést k ohrožení zdraví a ke zranění.

**c) Nepoužívejte žádné příslušenství, které není výrobcem speciálně pro toto elektronářadí určeno a doporučeno.** Pouze to, že můžete příslušenství na Vaše elektronářadí upevnit, nezaručuje bezpečné použití.

**d) Přípustný počet otáček vkládaného nástroje musí být minimálně stejně vysoký jako maximální počet otáček uvedený na elektrickém nářadí.** Příslušenství, které se točí rychleji, než je přípustné, se může rozbit a rozletět do okolí.

**e) Vnější průměr a tloušťka vkládaného nástroje musí odpovídat rozměrovým údajům vašeho elektrického přístroje.** Špatně vyměřené vkládané nástroje nelze dostatečně zakrýt ani kontrolovat.

**f) Závit dílu příslušenství se musí shodovat se závitěm vřetena brusného kotouče.** U dílů příslušenství, které se montují pomocí příruby, se musí vyvrtaný otvor dílu příslušenství shodovat s průměrem PRÍRUBY. Díly příslušenství, které nejsou pro daný přístroj vhodné, běží nepravdělně, příliš vibrují a mohou vést k tomu, že dojde ke ztrátě kontroly nad přístrojem.

**g) Nepoužívejte žádné poškozené nasazovací nástroje.** Zkontrolujte před každým použitím nasazovací nástroje jako brusné kotouče na odštěpky a trhliny, brusné talíře na trhliny, oter nebo silné opotřebení, drátěné kartáče na uvolněné nebo zlomené dráty. Spadne-li elektronářadí nebo nasazovací nástroj z výšky, zkontrolujte zda není poškozený nebo použijte nepoškozený nasazovací nástroj. Pokud jste nasazovací nástroj zkontrolovali a nasadili, držte se Vy a v blízkosti nacházející se osoby mimo rovinu rotujícího nasazovacího nástroje a nechte stroj běžet jednu minutu s nejvyššími otáčkami. Poškozené nasazovací nástroje většinou v této době testování prasknou.

**h) Noste osobní ochranné vybavení.** Podle aplikace použijte ochranu celého obličeje, ochranu očí nebo ochranné brýle. Taktéž adekvátně noste ochrannou masku proti prachu, ochranu sluchu, ochranné rukavice nebo speciální zástěru, jež Vás ochrání před malými

**částicemi brusiva a materiálu.** Oči mají být chráněny před odletujícími cizími tělisky, jež vznikají při různých aplikacích. Protiprachová maska či respirátor musejí při používání vznikající prach odfiltrovat. Pokud jste dlouho vystaveni silnému hluku, můžete utrpět ztrátu sluchu.

**i) Zajistěte, aby se ostatní osoby zdržovaly v bezpečné vzdálenosti od vašeho pracoviště.** Každý, kdo vstoupí na pracoviště, musí nosit osobní ochranné pomůcky. Úlomky obrobku nebo odlomené vložené nástroje mohou odletnout a způsobit zranění i mimo oblast bezprostředního pracoviště.

**j) Při provádění prací, při kterých nástroj může narazit na skryta elektrická vedení, držte přístroj za izolované přidržovací plochy.** Při kontaktu s vedením pod napětím se pod napětím mohou dostat i kovové vodivé části brusky a způsobit úraz elektrickým proudem.

**k) Elektrické nářadí nesmíte nikdy odložit dříve, než se vložený nástroj zcela zastaví.** Otáčející se vložený nástroj se může dostat do kontaktu s odkládací plochou, a vy tak můžete ztratit kontrolu nad elektrickým přístrojem.

**l) Nenechte elektronářadí běžet po dobu, co jej nesete.** Váš oděv může být náhodným kontaktem s otáčejícím se nasazovacím nástrojem zachycen a nasazovací nástroj se může zavrtat do Vašeho těla.

**m) Čistěte pravidelně větrací otvory Vašeho elektronářadí.** Ventilátor motoru vtahuje do tělesa prach a silné nahromadění kovového prachu může způsobit elektrická rizika.

**n) Elektrický přístroj nepoužívejte v blízkosti hořlavých materiálů.** Jiskry mohou tyto materiály zapálit.

**o) Nepoužívejte vkládané nástroje, které vyžadují tekutá chladiva.** Použití vody nebo jiných tekutých chladiv může způsobit zásah elektrickým proudem.

#### Zpětný ráz a odpovídající varovná upozornění

Zpětný ráz je náhlá reakce v důsledku zaseknutého nebo zablokovaného otáčejícího se nasazovacího nástroje, jako je brusný kotouč, brusný talíř, drátěný kartáč atd. Zaseknutí nebo zablokování vede k náhlému zastavení rotujícího nasazovacího nástroje. Tím nekontrolovaně elektronářadí akceleruje v místě zablokování proti směru otáčení nasazovacího nástroje.

Pokud se např. zpříčí nebo zablokuje brusný kotouč v obrobku, může se hrana brusného kotouče, která se zanouje do obrobku, zakousnout a tím brusný kotouč vylomit nebo způsobit zpětný ráz. Brusný kotouč se potom pohybuje k nebo od obsluhující osoby, podle směru otáčení kotouče na místě zablokování. Při tom mohou brusné kotouče i prasknout.

Zpětný ráz je důsledek nesprávného nebo chybného použití elektronářadí. Lze mu zabránit vhodnými preventivními opatřeními, jak je následně popsáno.

**a) Držte elektronářadí dobře pevně a uveďte Vaše tělo a paže do polohy, ve které můžete zachytit síly zpětného rázu.** Je-li k dispozici, používejte vždy přidavnou rukojeť, abyste měli co největší možnou kontrolu nad silami zpětného rázu nebo reakčním momentu při rozběhu. Obsluhující osoba může vhodnými preventivními opatřeními zvládnout síly zpětného rázu a reakčního momentu.

**b) Nikdy nedávejte Vaši ruku do blízkosti otáčejících se nasazovacích nástrojů.** Nasazovací nástroj se při zpětném rázu může pohybovat přes Vaši ruku.

**c) Vyhýbejte se Vaším tělem oblastí, kam se bude elektronářadí při zpětném rázu pohybovat.** Zpětný ráz vřaní elektronářadí v místě zablokování do opačného směru k pohybu brusného kotouče.

**d) Zvlášť opatrně pracujte v místech rohů, ostrých hran apod. Zabraňte, aby se nasazovací nástroj odrazil od obrobku a vzpříčil.** Rotující nasazovací nástroj je u rohů, ostrých hran a pokud se odrazí náchylný na vzpříčení se. Toto způsobí ztrátu kontroly nebo zpětný ráz.

**e) Nepoužívejte řetězový ani ozubený pilový list.** Takovto vložené nástroje často způsobují zpětný ráz nebo ztrátu kontroly nad elektrickým přístrojem.

#### Zvláštní varovná upozornění k leštění

**a) Nepřipusťte žádné uvolněné části na leštícím potahu, zvláště upevňovací provázek. Upevňovací provázky dobře urovňte nebo zkratťe.** Volně, spolu se otáčející upevňovací provázky mohou zachytit Vaše prsty nebo se zatnout do obrobku.

#### Zvláštní varovná upozornění ke smirkování

**a) Nepoužívejte žádné předimenzované brusné listy, ale dodržujte údaje výrobce k velikosti brusných listů.** Brusné listy, které vyčnívají přes brusný talíř, mohou způsobit poranění a též vést k zablokování, roztržení brusných listů nebo ke zpětnému rázu.

#### Další bezpečnostní a pracovní pokyny

Při broušení kovů odletují jiskry. Dbejte, aby nedošlo k poškození osob. V blízkosti (kam zaletují jiskry) se nesmí nacházet žádné hořlavé látky - nebezpečí požáru. Nepoužívejte odsavač prachu.

Předcházejte tomu, aby se odletující jiskry a brusný prach dostaly do kontaktu s tělem.

Nesahat do nebezpečné zóny běžícího stroje.

Stroj okamžitě vypněte, zjistíte-li neobvyklé vibrace nebo jiné problémy. Stroj přezkoušejte, abyste zjistili příčinu problémů.

Pokud stroj běží, nesmí být odstraňovány třísky nebo odštěpky.

Použitě nevyhazujte do domovního odpadu nebo do ohně. Milwaukee nabízí ekologickou likvidaci starých článků, ptejte se u vašeho obchodníka s nářadím.

Náhradní akumulátor neskladujte s kovovými předměty, nebezpečí zkratů.

Akumulátor systému C12 nabíjejte pouze nabíječkou systému C12. Nenabíjejte akumulátory jiných systémů.

Náhradní akumulátory ani nabíječku neotvírejte, skladujte je v suchu, ochraňte před vlhkem.

Při extrémní zátěži či vysoké teplotě může z akumulátoru vytékat kapalina. Při zasažení touto kapalinou okamžitě zasažená místa omyjte vodou a mýdlem. Při zasažení očí okamžitě důkladně po dobu alespoň 10min. omývat a neodkladně vyhledat lékaře.

**Varování!** Abyste zabránili nebezpečí požáru způsobeného zkratem, poraněním nebo poškozením výrobku, neponořujte nářadí, výměnnou baterii nebo nabíječku do kapalin a zajistěte, aby do zařízení a akumulátorů nevnikly žádné tekutiny. Korodující nebo vodivé kapaliny, jako je slaná voda, určité chemikálie a bělicí prostředky nebo výrobky, které obsahují bělidlo, mohou způsobit zkrat.

#### OBLAST VYUŽITÍ

Bruska a leštička je vhodná k broušení a leštění laků, umělých hmot a jiných hladkých ploch.

Ve sporném případě seřídte pokyny výrobce příslušenství. Toto elektrické nářadí je vhodné pouze pro suché obrábění.

#### PRACOVNÍ POKYNY

Vždy používejte doplňkové madlo.

Obráběný kus musí být řádně upnut, není-li dostatečně těžký.

#### ÚDRŽBA

Větrací šterbiny nářadí udržujeme stále čisté.

Používejte výhradně náhradní díly a příslušenství Milwaukee. Díly, jejichž výměna nebyla popsána, nechávejte vyměnit v odborném servisu Milwaukee. (Viz záruční list.)

Při potřebě podrobného rozkresu konstrukce, oslovte informací o typu a čísle přímo servis a nebo výrobce, Techtronic Industries GmbH, Max-Eyth-Straße 10, 71364 Winnenden, Germany.

#### CE-PROHLÁŠENÍ O SHODĚ

Výhradně na vlastní zodpovědnost prohlašujeme, že se výrobek popsaný v "Technických údajích" shoduje se všemi relevantními předpisy směrnice 2011/65/EU (RoHS), 2014/30/ES, 2006/42/ES a s následujícími harmonizovanými normativními dokumenty:

EN 60745-1:2009+A11:2010  
EN 60745-2-3:2011 + A2:2013  
EN 55014-1:2006+A1:2009+A2:2011  
EN 55014-2:2015  
EN 50581:2012

Winnenden, 2017-11-30

Alexander Krug  
Managing Director



Zplnomocněn k sestavování technických podkladů.

Techtronic Industries GmbH  
Max-Eyth-Straße 10  
71364 Winnenden  
Germany

#### AKUMULÁTORY

Déle nepoužívané akumulátory je nutné před použitím znovu nabít.

Teplota přes 50°C snižuje výkon akumulátoru. Chraňte před dlouhým přehříváním na slunci či u topení.

Kontakty nabíječky a akumulátoru udržujte v čistotě.

Pro optimální životnost je nutné akumulátory po použití plně dobít.

K zabezpečení dlouhé životnosti by se akumulátory měly po nabití vyjmout z nabíječky.

Při skladování akumulátoru po dobu delší než 30 dní:

Skladujte akumulátor v suchu při cca 27°C.  
Skladujte akumulátor při cca 30%-50% nabíjecí kapacity.  
Opakujte nabíjení akumulátoru každých 6 měsíců.

#### PŘEPRAVA LITHIUM-IONTOVÝCH BATERIÍ

Lithium-iontové baterie spadají podle zákonných ustanovení pod přepravu nebezpečného nákladu.

Přeprava těchto baterií se musí realizovat s dodržováním lokálních, vnitrostátních a mezinárodních předpisů a ustanovení.

- Spotřebitelé mohou tyto baterie bez problémů přepravovat po komunikacích.
- Komerční přeprava lithium-iontových baterií prostřednictvím přepravních firem podléhá ustanovením o přepravě nebezpečného nákladu. Přípravu k vyexpedování a samotnou přepravu směji vykonávat jen příslušně vyškolené osoby. Na celý proces se musí odborně dohlížet.

Při přepravě baterií je třeba dodržovat následující:

- Zajistěte, aby kontakty byly chráněné a izolované, aby se zamezilo zkratům.
- Dávejte pozor na to, aby se svazek baterií v rámci balení nemohl sesmeknout.
- Poškozené a vyteklé baterie se nesmějí přepravovat.

Ohledně dalších informací se obraťte na vaši přepravní firmu.

#### SYMBOLY



POZOR! VAROVÁNÍ! NEBEZPEČÍ!



Před zahájením veškerých prací na vrtacím šroubováku vyjmout výměnný akumulátor.



Před spuštěním stroje si pečlivě pročtete návod k používání.



Při práci se strojem neustále nosit ochranné brýle.



Používejte ochranné rukavice!



Elektrická zařízení, baterie/akumulátory se nesmí likvidovat společně s odpadem z domácnosti.

Elektrická zařízení, baterie/akumulátory je třeba sbírat odděleně a odevzdat je v recyklačním podniku na ekologickou likvidaci.

Na místních úřadech nebo u vašeho specializovaného prodejce se informujte na recyklační podniky a sběrné dvory.



Značka CE

ØPmax = 76 mm

Maximální výkon leštění

ØSmax = 51 mm

Maximální výkon broušení



TR 066

Národní znak shody Ukrajiny



Euroasijská značka shody



TECHNICKÉ ÚDAJE	M12 BPS
<b>Leštička/Brúska</b>	
Výrobné číslo	4477 93 03... ...000001-999999
Napätie výmenného akumulátora	12 V
Menovitý počet obrátok v 1. prevodovom stupni	0-2800 min <sup>-1</sup>
Menovitý počet obrátok v 2. prevodovom stupni	0-8300 min <sup>-1</sup>
Priemer leštiace kotúče	76 mm
Priemer brúsneho kotúča	51 mm
Závit vretena	M9x0,75
Hmotnosť podľa vykonávacieho predpisu EPTA 01/2003 (2,0 Ah)	1,0 kg
Hmotnosť podľa vykonávacieho predpisu EPTA 01/2003 (4,0 Ah)	1,2 kg
<b>Informácia o hluku / vibráciách</b> Namerané hodnoty určené v súlade s EN 60 745. V triede A posudzovaná hladina hluku prístroja činí typicky: Hladina akustického tlaku (Kolísavosť K=3dB(A)) Hladina akustického výkonu (Kolísavosť K=3dB(A))	68,24 dB(A) 79,20 dB(A)
<b>Používajte ochranu sluchu!</b> Celkové hodnoty vibrácií (vektorový súčet troch smerov) zistené v zmysle EN 60745.	
Leštenie Hodnota vibračných emisií a <sub>h,p</sub> Kolísavosť K	2,95 m/s <sup>2</sup> 1,83 m/s <sup>2</sup>
Brúsenie brúsnym papierom Hodnota vibračných emisií a <sub>h,ds</sub> Kolísavosť K	2,3 m/s <sup>2</sup> 1,5 m/s <sup>2</sup>

## POZOR

Úroveň vibrácií uvedená v týchto pokynoch bola nameraná meracou metódou, ktorú stanovuje norma EN 60745 a je možné ju použiť na vzájomné porovnanie elektrického náradia. Hodí sa aj na predbežné posúdenie kmitavého namáhania.

Uvedená úroveň vibrácií reprezentuje hlavné aplikácie elektrického náradia. Ak sa však elektrické náradie používa pre iné aplikácie, s odlišnými vložkami nástrojmi alebo s nedostatočnou údržbou, môže sa úroveň vibrácií líšiť. Toto môže kmitavé namáhanie v priebehu celej pracovnej doby podstatne zvýšiť.

Pre presný odhad kmitavého namáhania by sa mali tiež zohľadniť doby, v ktorých je náradie vypnuté alebo je síce v chode, ale v skutočnosti sa nepoužíva. Toto môže kmitavé namáhanie v priebehu celej pracovnej doby zreteľne redukovať.

Stanovte dodatočné bezpečnostné opatrenia pre ochranu obsluhy pred účinkami vibrácií, ako napríklad: údržba elektrického náradia a vložných nástrojov, udržiavanie teploty rúk, organizácia pracovných postupov.

**⚠ UPOZORNENIE! Prečítajte si všetky bezpečnostné pokyny a návody.** Zanedbanie dodržiavania Výstražných upozornení a pokynov uvedených v nasledujúcom texte môže mať za následok zásah elektrickým prúdom, spôsobí požiar a/alebo ťažké poranenie.  
**Tieto Výstražné upozornenia a bezpečnostné pokyny starostlivo uschovajte na budúce použitie.**

## ⚠ BEZPEČNOSTNÉ POKYNY LEŠTIČKA/BRÚSKA

**Bezpečnostné pokyny pre brúsenie brúsnym papierom a leštenie:**

**a) Toto ručné elektrické náradie sa používa ako leštička a ako brúska na brúsenie skleneným papierom. Rešpektujte všetky výstražné upozornenia, pokyny, obrázky a údaje, ktoré ste dostali s týmto ručným elektrickým náradím.** Ak by ste neodržali nasledujúce pokyny, mohlo by to mať za následok zásah elektrickým prúdom, vznik požiaru a/alebo vážne poranenie.

**b) Toto elektrické náradie nie je vhodné k rezaniu a hrubovaniu brúsnym kotúčom a kefovaním.** Použitie tohto elektrického náradia k iným než určeným účelom môže viesť k ohrozeniu zdravia a k zraneniu.

**c) Nepoužívajte žiadne také príslušenstvo, ktoré nebolo výrobcom určené a odporúčané špeciálne pre toto ručné elektrické náradie.** Okolnosť, že príslušenstvo sa dá na ručné elektrické náradie upevniť, ešte neznamená, že to zaručuje jeho bezpečné používanie.

**d) Prípustné otáčky pracovného nástroja musia byť minimálne také vysoké ako najvyššie otáčky uvedené na elektrickom náradí.** Príslušenstvo, ktoré sa otáča rýchlejšie, sa môže zlomiť a rozletieť.

**e) Vonkajší priemer a hrúbka pracovného nástroja musí zodpovedať údajom o rozmeroch vášho elektrického náradia.** Zle zmerané pracovné nástroje nemôžu byť dostatočne chránené alebo kontrolované.

**f) Závit dielov príslušenstva sa musí zhodovať so závitom vretena brúsneho kotúča.** Pri dieloch príslušenstva, ktoré sa montujú pomocou príruby, sa musí vyvrtaný otvor dielu príslušenstva zhodovať s priemerom **PRÍRUBY**. Diely príslušenstva, ktoré nie sú pre daný prístroj vhodné, bežia nepravideľne, príliš vibrujú a môžu viesť k tomu, že dôjde k strate kontroly nad prístrojom.

**g) Nepoužívajte žiadne poškodené pracovné nástroje.** Pred každým použitím tohto ručného elektrického náradia skontrolujte, či nie sú pracovné nástroje, ako napr. brúsne kotúče, vyštrbené alebo vylomené, či nemajú brúsne tanierne vylomené miesta, trhliny alebo miesta intenzívneho opotrebovania, či nie sú na drôtených kefách uvoľnené alebo poľamané drôty. Keď ručné elektrické náradie alebo pracovný nástroj spadli na zem, prekontrolujte, či nie sú poškodené, alebo použite nepoškodený pracovný nástroj. Keď ste prekontrolovali a upli pracovný nástroj, zabezpečte, aby ste neboli v rovine rotujúceho nástroja, a aby sa tam ani nenachádzali žiadne iné osoby, ktoré sú v blízkosti vášho pracoviska, a nechajte ručné elektrické náradie bežať jednu minútu

na maximálne obrátky. Poškodené pracovné nástroje sa obvyčajne počas tejto doby testovania zlomia.

**h) Používajte osobné ochranné prostriedky. Podľa druhu použitia náradia používajte ochranný štít na celú tvár, štít na oči alebo ochranné okuliare. Pokiaľ je to primerané, používajte ochrannú dýchaciu masku, chrániče sluchu, pracovné rukavice alebo špeciálnu zásteru, ktorá Vás ochráni pred odletujúcimi drobnými čiastočkami brusiva a obrábaného materiálu.** Predovšetkým oči treba chrániť pred odletujúcimi cudzími telieskami, ktoré vznikajú pri rôznom spôsobe používania náradia. Ochrana proti prachu alebo ochranná dýchacia maska musia predovšetkým odfiltrovať konkrétny druh prachu, ktorý vzniká pri danom druhu použitia náradia. Keď je človek dlhšiu dobu vystavený hlasnému hluku, môže utrieť stratu sluchu.

**i) V prípade iných osôb dbajte na bezpečnú vzdialenosť k vašej pracovnej oblasti. Každý, kto vstúpi do pracovnej oblasti, musí nosiť osobné ochranné vybavenie.** Úlomky obročku alebo zlomené pracovné nástroje môžu odletieť a spôsobiť úrazy aj mimo priamej pracovnej oblasti.

**j) Pri realizovaní prác, pri ktorých nástroj môže naraziť na skryté elektrické vedenia, držte prístroj za izolované pridržovacie plošky.** Pri kontakte s vedením pod napätím sa pod napätie môžu dostať aj kovové vodivé časti brúsky a spôsobiť úraz elektrickým prúdom.

**k) Elektrické náradie nikdy neodkladajte skôr, ako sa pracovný nástroj úplne zastaví.** Otáčajúci sa pracovný nástroj sa môže dostať do styku s odkladacou plochou, čím môžete stratiť kontrolu nad elektrickým náradím.

**l) Nikdy nemajte ručné elektrické náradie zapnuté vtedy, keď ho prenášate na iné miesto.** Náhodným kontaktom Vašich vlasov alebo vášho oblečenia s rotujúcim pracovným nástrojom by sa Vám pracovný nástroj mohol zavrtáť do tela.

**m) Pravidelne čistite vetracie otvory svojho ručného elektrického náradia.** Ventilátor motora vŕha do telesa náradia prach a veľké nahromadenie kovového prachu by mohlo spôsobiť vznik nebezpečného zásahu elektrickým prúdom.

**n) Elektrické náradie nepoužívajte v blízkosti horľavých materiálov.** Iskry môžu tieto materiály zapáliť.

**o) Nepoužívajte žiadne pracovné nástroje, ktoré vyžadujú kvapalnú chladiacu prostriedky.** Používanie vody alebo iných kvapalných chladiacich prostriedkov môže viesť k zásahu elektrickým prúdom.

## Spätný ráz a príslušné výstražné upozornenia

Spätný ráz je náhlou reakciou náradia na vzpričený, zaseknutý alebo blokujúci pracovný nástroj, napríklad brúsny kotúč, brúsny tanier, drôtená kefa a pod. Zaseknutie alebo zablokovanie vedie k náhlemu zastaveniu rotujúceho pracovného nástroja. Takýmto spôsobom sa nekontrolované ručné elektrické náradie rozkrúti na zablokovanom mieste proti smeru otáčania pracovného nástroja.

Keď sa napríklad brúsny kotúč vzpriechi alebo zablokuje v obročku, môže sa hrana brúsneho kotúča, ktorá je zapichnutá do obročku, zachytiť v materiáli a tým sa vylomiť z brúsneho taniera, alebo spôsobiť spätý ráz náradia. Brúsny kotúč sa potom pohybuje smerom k osobe alebo smerom preč od nej podľa toho, aký bol smer otáčania kotúča na mieste zablokovania. Brúsne kotúče sa môžu v takomto prípade aj rozlomiť.

Spätný ráz je následkom nesprávneho a chybného používania ručného elektrického náradia. Vhodnými preventívnymi opatreniami, ktoré popisujeme v nasledujúcom texte, mu možno zabrániť.

**a) Ručné elektrické náradie vždy držte pevne a svoje telo a ruky udržiavajte vždy v takej polohe, aby ste vydržali prípadný spätý ráz náradia.** Pri každej práci používajte prídavnú rukoväť, ak ju máte k dispozícii, aby ste mali čo najväčšiu kontrolu nad silami spätne-

ho rázu a reakčnými momentmi pri rozbehu náradia. Pomocou vhodných opatrení môže obsluhujúca osoba silu spätného rázu a sily reakčných momentov zvládnuť.

**b) Nikdy nedávajte ruku do blízkosti rotujúceho pracovného nástroja.** Pri spätnom ráze by Vám mohol pracovný nástroj zasiahnuť ruku.

**c) Nemajte telo v priestore, do ktorého by sa mohlo ručné elektrické náradie v prípade spätného rázu vymrštiť.** Spätný ráz vymršti ručné elektrické náradie proti smeru pohybu brúsneho kotúča na mieste blokovania.

**d) Mimoriadne opatrne pracujte v oblasti rohov, ostrých hrán a pod. Zabráňte tomu, aby obroček vymrštil pracovný nástroj proti Vám, alebo aby sa v ňom pracovný nástroj zablokoval.** Rotujúci pracovný nástroj má sklon zablokovať sa v rohoch, na ostrých hranách alebo vtedy, keď je vyhodnotený. To spôsobí stratu kontroly nad náradím alebo jeho spätný ráz.

**e) Nepoužívajte žiadny reťazový alebo uzavrený pílový list.** Takého pracovné nástroje spôsobujú často spätý ráz alebo stratu kontroly nad elektrickým náradím.

## Osobitné výstražné upozornenia pre leštenie

**a) Nepripustte, aby boli uvoľnené niektoré súčiastky leštiaceho návleku, najmä upevňovacie šnúrky. Upevňovacie šnúrky zložte alebo skráťte.** Uvoľnené otáčajúce sa upevňovacie šnúrky by Vám mohli zachytiť prsty, alebo by sa mohli zachytiť v obročku.

## Osobitné bezpečnostné pokyny pre brúsenie brúsnym papierom

**a) Nepoužívajte žiadne nadrozmerne brúsne listy, ale dodržiavajte údaje výrobcu o rozmeroch brúsnych listov.** Brúsne listy, ktoré presahujú okraj brúsneho taniera, môžu spôsobiť poranenie a viesť k zablokovaniu, alebo k roztrhnutiu brúsnych listov alebo k spätnému rázu.

## Ďalšie bezpečnostné a pracovné pokyny

Pri brúsení kovov dochádza k lietaniu iskier. Dávajte pozor, aby neboli ohrozené žiadne osoby. Z dôvodu nebezpečia požiaru nesmú byť v blízkosti (oblast' lietania iskier) žiadne horľavé materiály. Nepoužívať odsávač prachu.

Predchádzajte tomu, aby sa odletujúce iskry a brúsny prach dostali do kontaktu s telom.

Nesiahajte do nebezpečnej oblasti bežiacich nožov!

Ak za chodu prístroja dôjde k výraznému kmitaniu alebo sa vyskytnú iné nedostatky, okamžite ho vypnite. Stroj skontrolujte, aby ste zistili príčinu.

Triesky alebo úlomky sa nesmú odstraňovať za chodu stroja.

Opotrebované výmenné akumulátory nezahadzujte do ohňa alebo medzi domový odpad. Milwaukee ponúka likvidáciu starých výmenných akumulátorov, ktorá je v súlade s ochranou životného prostredia; informujte sa u Vášho predajcu.

Výmenné akumulátory neskladovať spolu s kovovými predmetmi (nebezpečenstvo skratu).

Výmenné akumulátory systému C12 nabíjajte len nabíjacími zariadeniami systému C12. Akumulátory iných systémov týmto zariadením nenabíjajte.

Výmenné akumulátory a nabíjacie zariadenia neotvárajte a skladujte len v suchých priestoroch. Chrániť pred vlhkosťou.

Pri extrémnych záťažach alebo extrémnych teplotách môže dôjsť k vytekaniu batérovej tekutiny z poškodeného výmenného akumulátora. Ak dôjde ku kontaktu pokožky s roztokom, postihnute miesto umyť vodou a mydlom. Ak sa roztok dostane do očí, okamžite ich dôkladne vypláchnuť po dobu min. 10 min a bezodkladne vyhľadať lekára.

**Varovanie!** Aby ste zabránili nebezpečenstvu požiaru spôsobeného skratom, poraneniam alebo poškodeniam výrobku, neponárajte náradie, výmennú batériu alebo

nabíjačku do kvapalín a postarajte sa o to, aby do zariadení a akumulátorov nevnikli žiadne tekutiny. Korodujúce alebo vodivé kvapaliny, ako je slaná voda, určité chemikálie a bieliace prostriedky alebo výrobky, ktoré obsahujú bieliadlo, môžu spôsobiť škrt.

## POUŽITIE PODĽA PREDPISOV

Brúska a leštička je vhodná k brúseniu a lešteniu lakov, ochranných vrstiev, plastov a iných hladkých povrchov.

V spornom prípade sa riadte pokynmi výrobcov príslušenstva.

Toto elektrické náradie je vhodné iba na suché obrábanie.

## NAPOTKI ZA DELO

používať vždy prídavnú rukoväť.

Opracovávaný obrobok musí byť pevne upnutý, pokiaľ nedrží vlastnou váhou. Nikdy nevedte obrobok rukou proti kotúčom.

## ÚDRZBA

Vetracie otvory udržiavať stále v čistote.

Používať len Milwaukee príslušenstvo a náhradné diely. Súčiastky bez návodu na výmenu treba dať vymeniť v jednom z Milwaukee zákazníckych centier (viď brožúru Záruka/Adresy zákazníckych centier).

Pri udaní typu stroja a čísla nachádzajúceho sa na štítku dá sa v prípade potreby vyžiadať explozívna schéma prístroja od vášho zákazníckeho centra alebo priamo v Techtronic Industries GmbH, Max-Eyth-Straße 10, 71364 Winnenden, Germany.

## CE - VYHLÁSENIE KONFORMITY

Výhradne na vlastnú zodpovednosť vyhlasujeme, že výrobok popísaný v "Technických údajoch" sa zhoduje so všetkými relevantnými predpismi smernice 2011/65/EU (RoHS), 2014/30/EU, 2006/42/EC a nasledujúcimi harmonizujúcimi normatívnymi dokumentmi:

EN 60745-1:2009+A11:2010  
EN 60745-2-3:2011 + A2:2013  
EN 55014-1:2006+A1:2009+A2:2011  
EN 55014-2:2015  
EN 50581:2012

Winnenden, 2017-11-30

Alexander Krug  
Managing Director



Splnomocnený zostaví technické podklady.

Techtronic Industries GmbH  
Max-Eyth-Straße 10  
71364 Winnenden  
Germany

## AKUMULÁTORY

Dlhší čas nepoužívané výmenné akumulátory pred použitím dobiť.

Teplota vyššia ako 50°C znižuje výkon výmenného akumulátora. Zabráňte dlhšiemu ohriatiu slnkom alebo kúrením.

Pripájacie kontakty na nabíjacom zariadení a výmennom akumulátore udržiavať čisté.

Pre optimálnu životnosť je nutné akumulátory po použití plne dobiť.

K zabezpečeniu dlhej životnosti by sa akumulátory mali po nabití vybrať z nabíjačky.

Pri skladovaní akumulátora po dobu dlhšiu než 30 dní: Skladujte akumulátor v suchu pri cca 27°C.

Skladujte akumulátor pri cca 30%-50% nabíjacej kapacite. Opakujte nabíjanie akumulátora každých 6 mesiacov.

## PREPRAVA LÍTIOVO-IÓNOVÝCH BATÉRIÍ

Lítiovo-iónové batérie podľa zákonných ustanovení spadajú pod prepravu nebezpečného nákladu.

Preprava týchto batérií sa musí realizovať s dodržiavaním lokálnych, vnútroštátnych a medzinárodných predpisov a ustanovení.

- Spotrebiteľia môžu tieto batérie bez problémov prepravovať po cestách.
- Komerčná preprava lítiovo-iónových batérií prostredníctvom špeciálnych firiem podlieha ustanoveniam o preprave nebezpečného nákladu. Príprava k vyexpedovaniu a samotnú prepravu smú vykonávať iba adekvátne vyškolené osoby. Na celý proces sa musí odborné dohliadať.

Pri preprave batérií treba dodržiavať nasledovné:

- Zabezpečte, aby boli kontakty chránené a izolované, aby sa zamedžilo skratom.
- Dávajte pozor na to, aby sa zväzok batérií v rámci balenia nemohol zošmyknúť.
- Poškodené a vytečené batérie sa nesmú prepravovať.

Kvôli ďalším informáciám sa obráťte na vašu špecičnú firmu.

## SYMBOLY



POZOR! NEBEZPEČENSTVO!



Pred každou prácou na stroji výmenný akumulátor vytiahnuť.



Pred prvým použitím prístroja si pozorne prečítajte návod na obsluhu.



Pri práci so strojom vždy noste ochranné okuliare.



Používajte ochranné rukavice!



Elektrické zariadenia, batérie/akumulátory sa nesmú likvidovať spolu s odpadom z domácností.

Elektrické zariadenia, batérie/akumulátory treba zbierať oddelene a odovzdať ich v recyklačnom podniku na ekologickú likvidáciu. Na miestnych úradoch alebo u vášho špecializovaného predajcu sa spýtajte na recyklačné podniky a zberné dvory.



Značka CE

ØPmax = 76 mm

Maximálny výkon leštenia

ØSmax = 51 mm

Maximálny výkon brúsenia



Národný znak zhody Ukrajiny

Euroázijská značka zhody

## DANE TECHNICZNE

### Polerka/Szlifierka

Numer produkcyjny

Napięcie baterii akumulatorowej

Znamionowa prędkość obrotowa na pierwszym biegu

Znamionowa prędkość obrotowa drugi bieg

Średnica koła polerowania

Średnica tarczy szlifierskiej

Gwint wrzeciona roboczego

Ciężar wg procedury EPTA 01/2003 (2,0 Ah)

Ciężar wg procedury EPTA 01/2003 (4,0 Ah)

### Informacja dotycząca szumów/wibracji

Zmierzone wartości wyznaczono zgodnie z normą EN 60 745. Poziom szumów urządzenia oszacowany jako A wynosi typowo:

Poziom ciśnienia akustycznego (Niepewność K=3dB(A))

Poziom mocy akustycznej (Niepewność K=3dB(A))

### Należy używać ochroniaczy uszu!

Wartości łączne drgań (suma wektorowa trzech kierunków) wyznaczone zgodnie z normą EN 60745

Polerowanie

Wartość emisji drgań a<sub>h,p</sub>

Niepewność K

Szlifowanie papierem ściernym

Wartość emisji drgań a<sub>h,ds</sub>

Niepewność K

## M12 BPS

4477 93 03...  
...000001-999999

12 V

0-2800 min<sup>-1</sup>

0-8300 min<sup>-1</sup>

76 mm

51 mm

M9x0,75

1,0 kg

1,2 kg

68,24 dB(A)

79,20 dB(A)

2,95 m/s<sup>2</sup>

1,83 m/s<sup>2</sup>

2,3 m/s<sup>2</sup>

1,5 m/s<sup>2</sup>

## OSTRZEŻENIE

Podany w niniejszych instrukcjach poziom drgań został zmierzony za pomocą metody pomiarowej zgodnej z normą EN 60745 i może być użyty do porównania ze sobą elektronarzędzi. Nadaje się on również do tymczasowej oceny obciążenia wibracyjnego.

Podany poziom drgań reprezentuje główne zastosowania elektronarzędzia. Jeśli jednakże elektronarzędzie użyte zostanie do innych celów z innym narzędziami roboczymi lub nie jest dostatecznie konserwowane, wtedy poziom drgań może wykazywać odchylenia. Może to wyraźnie zwiększyć obciążenie wibracjami przez cały okres pracy.

Dla dokładnego określenia obciążenia wibracjami należy uwzględnić również czasy, w których urządzenie jest wyłączone względnie jest włączone, lecz w rzeczywistości nie pracuje. Może to spowodować wyraźną redukcję obciążenia wibracyjnego w całym okresie pracy.

Należy wprowadzić dodatkowe środki zapobiegawcze celem ochrony obsługującego przed oddziaływaniem drgań, jak na przykład: konserwacja narzędzi roboczych i elektronarzędzi, nagrzanie rąk, organizacja przebiegu pracy.

**⚠ OSTRZEŻENIE! Należy przeczytać wszystkie wskazówki dotyczące bezpieczeństwa i instrukcje.** Błędy w przestrzeganiu poniższych wskazówek mogą spowodować porażenie prądem, pożar i/lub ciężkie obrażenia ciała. **Należy starannie przechowywać wszystkie przepisy i wskazówki bezpieczeństwa dla dalszego zastosowania.**

## ⚠ WSKAZÓWKI DOTYCZĄCE BEZPIECZEŃSTWA - POLERKA/SZLIFIERKA

**Wspólne wskazówki ostrzegawcze dotyczące szlifowania okładziną ścierną i polerowania:**

**a) Elektronarzędzie należy używać jako maszyny do polerowania i szlifierki z użyciem okładziny ściernej. Należy przestrzegać wszystkich wskazówek ostrzegawczych, przepisów, opisów i danych, które otrzymał Państwo wraz z elektronarzędziem. Jeśli nie będą przestrzegane następujące przepisy, może dojść do porażenia prądem, pożaru i/lub ciężkich obrażeń ciała.**

**b) Niniejsze narzędzie elektryczne nie nadaje się do rozcinięcia i szlifowania zgrubne, robót z użyciem szczotek drucianych. Zastosowanie narzędzia elektrycznego do celów, do których nie jest ono przewidziane, może spowodować zagrożenia i obrażenia ciała.**

**c) Nie należy używać osprzętu, który nie jest przewidziany i polecany przez producenta specjalnie do tego urządzenia. Fakt, że osprzęt daje się zamontować do elektronarzędzia, nie jest gwarantem bezpiecznego użycia.**

**d) Dopuszczalna liczba obrotów osprzętu musi być przynajmniej tak wysoka, jak maksymalna liczba obrotów podana na**

**urządzeniu elektrycznym. Osprzęt, który obraca się szybciej niż jest to dozwolone, może pęknąć i zostać ciśnięty w powietrze.**

**e) Średnica zewnętrzna oraz grubość osprzętu tnącego musi odpowiadać wymiarom ustalonym dla stosowanego urządzenia elektrycznego. Osprzęt o nieprawidłowych wymiarach nie może być dostatecznie osłaniany ani kontrolowany.**

**f) Gwint części osprzętu musi być zgodny z gwintem wrzeciona ściernicy. W przypadku części osprzętu, które mocowane są za pomocą kołnierza, otwór osprzętu musi być zgodny ze średnicą KOŁNIERZA. Części osprzętu, które nie pasują do urządzenia, wykazują bicie, zbyt mocno wibrują mogą prowadzić do tego, że zostanie utracona kontrola nad urządzeniem.**

**g) W żadnym wypadku nie należy używać uszkodzonych narzędzi roboczych. Przed każdym użyciem należy skontrolować oprzyrządowanie, np. ściernice pod kątem odprysków i pęknięć, talerz szlifierskie pod kątem pęknięć, starcia lub silnego zużycia, szczotki druciane pod kątem luźnych lub złamanych drutów. W razie upadku elektronarzędzia lub narzędzia roboczego, należy sprawdzić, czy nie uległo ono uszkodzeniu, lub użyć innego, nieuszkodzonego narzędzia. Jeśli narzędzie zostało sprawdzone i umocowane, elektronarzędzie należy włączyć na minutę na najwyższe obroty, zwracając przy tym uwagę, by osoba obsługująca i osoby postronne znajdujące się w pobliżu, znalazły się poza strefą obracającego się narzędzia. Uszkodzone narzędzia łamią się najczęściej w tym czasie próbnym.**

**h) Należy nosić osobiste wyposażenie ochronne. W zależności od rodzaju pracy, należy nosić maskę ochronną pokrywającą całą twarz, ochronę oczu lub okulary ochronne. W razie potrzeby należy użyć maski przeciwpyłowej, ochrony słuchu, rękawic ochronnych lub specjalnego fartucha,**



chroniącego przed małymi cząstkami ścieranego i obrabianego materiału. Należy chronić oczy przed unoszącymi się w powietrzu ciałami obcymi, powstałymi w czasie pracy. Maskę przeciwpyłową i ochronną dróg oddechowych muszą filtrować powstające podczas pracy pyły. Oddziaływanie hałasu przez dłuższy okres czasu, może doprowadzić do utraty słuchu.

**i) Zwrócić uwagę na to, aby osoby postronne również zachowywały bezpieczny odstęp od stanowiska pracy operatora urządzenia. Każdy, kto znajduje się w obrębie stanowiska pracy, musi posiadać odzież ochronną.** Odłamki obrabianego materiału oraz uszkodzony osprzęt może wirować w powietrzu i być źródłem skażeń także poza głównym obszarem pracy.

**j) Trzymaj urządzenie za izolowane powierzchnie chwytnie gdy wykonujesz roboty, w trakcie których narzędzie skrawające może natrafiać na ukryte przewody prądowe.** Dotknięcie przewodu przewodzącego prąd może spowodować, iż metalowe elementy elektronarzędzia znajdują się pod napięciem i mogą doprowadzić do porażenia prądem elektrycznym.

**k) Nigdy nie odkładaj urządzenia zanim obrotowy osprzęt tnący całkowicie się nie zatrzyma.** Obracające się narzędzia mogłyby nawiązać kontakt z powierzchnią, na którą zostały odłożone, przez co operator mógłby stracić kontrolę nad urządzeniem.

**l) Nie wolno przenosić elektronarzędzia, znajdującego się w ruchu.** Przypadkowy kontakt ubrania z obracającym się narzędziem roboczym może spowodować jego wciągnięcie i wwiercenie się narzędzia roboczego w ciało osoby obsługującej.

**m) Należy regularnie czyścić szczeliny wentylacyjne elektronarzędzia.** Dmuchała silnika wciąga kurz do obudowy, a duże nagromadzenie pyłu metalowego może spowodować zagrożenie elektryczne.

**n) Nie korzystać z urządzenia elektrycznego w pobliżu materiałów palnych.** Iskry mogłyby bowiem doprowadzić do ich zapalenia się.

**o) Nie korzystać z osprzętu wymagającego użycia płynnych czynników chłodzących.** Korystanie z wody lub innych płynnych czynników chłodzących może prowadzić do porażenia prądem.

#### Odrzut i odpowiednie wskazówki bezpieczeństwa

Odrzut jest nagłą reakcją elektronarzędzia na zablokowanie lub zawadzenie obracającego się narzędzia, takiego jak ściernica, talerz szlifierski, szczotka druciana itd. Zaczepienie się lub zablokowanie prowadzi do nagłego zatrzymania się obracającego się narzędzia roboczego. Niekontrolowane elektronarzędzie zostanie przez to szarpnięte w kierunku przeciwnym do kierunku obrotu narzędzia roboczego.

Gdy, np. ściernica zatnie się lub zakleszczy w obrabianym przedmiocie, zanurzona w materiale krawędź ściernicy, może się zablokować i spowodować jej wypadnięcie lub odrzut. Ruch ściernicy (w kierunku osoby obsługującej) lub od niej) uzależniony jest wtedy od kierunku ruchu ściernicy w miejscu zablokowania. Oprócz tego ściernice mogą się również złamać.

Odrzut jest następstwem niewłaściwego lub błędnego użycia elektronarzędzia. Można go uniknąć przez zachowanie opisanych poniżej odpowiednich środków ostrożności.

**a) Elektronarzędzie należy mocno trzymać, a ciało i ręce ustawić w pozycji, umożliwiającej złagodzenie odrzutu. Jeżeli w skład wyposażenia standardowego wchodzi uchwyt dodatkowy, należy go zawsze używać, żeby mieć jak największą kontrolę nad siłami odrzutu lub momentem odwodzącym podczas rozruchu.** Osoba obsługująca urządzenie może opanować szarpnięcia i zjawisko odrzutu poprzez zachowanie odpowiednich środków ostrożności.

**b) Nie należy nigdy trzymać rąk w pobliżu obracających się narzędzi roboczych.** Narzędzie robocze może wskutek odrzutu zranić rękę.

**c) Należy trzymać się z dala od strefy zasięgu, w której porusza się elektronarzędzie podczas odrzutu.** Na skutek odrzutu, elektronarzędzie przemieszcza się w kierunku przeciwnym do ruchu ściernicy w miejscu zablokowania.

**d) Szczególnie ostrożnie należy obrabiać narożniki, ostre krawędzie itd. Należy zapobiegać temu, by narzędzia robocze**

**zostały odbite lub by się one zablokowały.** Obracające się narzędzie robocze jest bardziej podatne na zakleszczenie przy obróbce kątów, ostrych krawędzi lub gdy zostanie odbite. Może to stać się przyczyną utraty kontroli lub odrzutu.

**e) Nie stosować brzeszczotów do pił łańcuchowych ani zębatych.** Osprzęt tnący tego typu prowadzi często do powstania odrzutu oraz utraty kontroli nad urządzeniem elektrycznym.

#### Szczególne wskazówki ostrzegawcze dotyczące polerowania

**a) Nie wolno pozwolić na to, by przy pokrywie polerskiej znajdowały się luźne części, przede wszystkim sznurki mocujące. Sznurki mocujące należy schować lub skrócić.** Luźne, kręcące się razem sznurki mocujące mogą uchwycić Państwa palce lub zaplątać się w obrabianym przedmiocie.

#### Szczególne wskazówki bezpieczeństwa dla szlifowania papierem ściernym

**a) Nie należy stosować zbyt wielkich arkuszy papieru ściernego.** Przy wyborze wielkości papieru ściernego, należy kierować się zaleceniami producenta. Wystający poza płytę szlifierską papier ścierny może spowodować obrażenia, a także doprowadzić do zablokowania lub rozdarcia papieru lub do odrzutu.

#### Dodatkowe wskazówki bezpieczeństwa i instrukcje robocze

Przy szlifowaniu metali powstają iskry. Nie narażać na niebezpieczeństwo żadnych osób. Ze względu na zagrożenie pożarowe w pobliżu miejsca pracy (w strefie wyrzucania iskier) nie powinny się znajdować materiały palne. Nie stosować odpylaczy. Zapobiegać, aby odpryskujące iskry i pył szlifierski nie były kierowane na ciało.

W żadnym wypadku nie zbliżać rąk do niebezpiecznego obszaru struga podczas pracy elektronarzędzia

Natychmiast wyłączyć elektronarzędzie w przypadku wystąpienia znacznych dźwięków lub w przypadku stwierdzenia innych usterek. Sprawdzić urządzenie w celu ustalenia przyczyny.

Podczas pracy elektronarzędzia nie wolno usuwać trocin ani drzazg.

Zużytych akumulatorów nie wolno wrzucać do ognia ani traktować jako odpadów domowych. Milwaukee oferuje ekologiczną utylizację zużytych akumulatorów.

Nie przechowywać akumulatorów wraz z przedmiotami metalowymi (niebezpieczeństwo zwarcia).

Akumulatory Systemu C12 należy ładować wyłącznie przy pomocy ładowarek Systemu C12. Nie ładować przy pomocy tych ładowarek akumulatorów innych systemów.

Nie otwierać wkładek akumulatorowych i ładowarek. Przechowywać w suchych pomieszczeniach. Chronić przed wilgocią.

W skrajnych warunkach temperatury lub przy bardzo dużym obciążeniu może dochodzić do wycieku kwasu akumulatorowego z uszkodzonych baterii akumulatorowych. W przypadku kontaktu z kwasem akumulatorowym należy natychmiast przemyć miejsce kontaktu wodą z mydłem. W przypadku kontaktu z oczami należy dokładnie przepłukiwać oczy przynajmniej przez 10 minut i zwrócić się natychmiast o pomoc medyczną.

**Ostrzeżenie!** Aby uniknąć niebezpieczeństwa pożaru, obrażeń lub uszkodzeń produktu na skutek zwarcia, nie wolno zanurzać narzędzia, akumulatora wymiennego ani ładowarki w cieczach i należy zatroszczyć się o to, aby do urządzeń i akumulatorów nie dostały się żadne ciecze. Zwarcie spowodować mogą korodujące lub przewodzące ciecze, takie jak woda morska, określone chemikalia i wybielacze lub produkty zawierające wybielacze.

#### WARUNKI UŻYTKOWANIA

Szlifierka lub polerka przeznaczona jest do szlifowania lub polerowania lakierów, powłok, tworzyw sztucznych oraz innych gładkich powierzchni.

W razie wątpliwości przestrzegać wskazówek producenta osprzętu.

Elektronarzędzie nadaje się tylko do obróbki na suchu.

#### WSKAZÓWKI DOTYCZĄCE UŻYTKOWANIA

Posługiwać się zawsze uchwytem dodatkowym.

Jeśli ciężar własny obrabianego przedmiotu nie pozwala jego unieruchomienie, to należy go zamocować. W żadnym wypadku nie wolno przedmiotu obrabianego prowadzić względem tarczy.

#### UTRZYMANIE I KONSERWACJA

Otwory wentylacyjne elektronarzędzia muszą być zawsze drożne. Należy stosować wyłącznie wyposażenie dodatkowe i części zamienne Milwaukee. W przypadku konieczności wymiany części, dla których nie podano opisu, należy skontaktować się z przedstawicielami serwisu Milwaukee (patrz lista punktów obsługi gwarancyjnej/serwisowej).

Na życzenie można otrzymać rysunek widoku zespołu rozebranego. Przy zamawianiu należy podać numer oraz typ elektronarzędzia umieszczony na tabliczce znamionowej. Zamówienia można dokonać albo u lokalnych przedstawicieli serwisu, albo bezpośrednio w Techtronic Industries GmbH, Max-Eyth-Straße 10, 71364 Winnenden, Germany.

#### DEKLARACJA ZGODNOŚCI CE

Oświadczamy na naszą wyłączną odpowiedzialność, że produkt opisany w punkcie "Dane techniczne" jest zgodny ze wszystkimi istotnymi przepisami Dyrektywy 2011/65/EU (RoHS), 2014/30/EU, 2006/42/WE oraz z następującymi zharmonizowanymi dokumentami normatywnymi:

EN 60745-1:2009+A11:2010  
EN 60745-2-3:2011 + A2:2013  
EN 55014-1:2006+A1:2009+A2:2011  
EN 55014-2:2015  
EN 50581:2012

Winnenden, 2017-11-30



Alexander Krug  
Managing Director



Upelnomocniony do zestawienia danych technicznych

Techtronic Industries GmbH  
Max-Eyth-Straße 10  
71364 Winnenden  
Germany

#### BATERIE AKUMULATOROWE

Akumulatory, które nie były przez dłuższy czas użytkowane, należy przed użyciem naładować.

W temperaturze powyżej 50°C następuje spadek osiągniętych wkładki akumulatorowej. Unikać długotrwałego wystawienia na oddziaływanie ciepła lub promieni słonecznych (niebezpieczeństwo przegrzania).

Styki ładowarek i wkładek akumulatorowych należy utrzymywać w czystości

Dla zapewnienia optymalnej żywotności akumulatory po użyciu należy naładować do pełnej pojemności.

Dla zapewnienia możliwie długiej żywotności akumulatory należy wyjąć z ładowarki po ich naładowaniu.

W przypadku składowania akumulatorów dłużej aniżeli 30 dni: Przechowywać je w suchym miejscu w temperaturze ok. 27°C. Przechowywać je w stanie naładowanym do ok. 30% - 50%. Ładować je ponownie co 6 miesięcy.

#### TRANSPORT AKUMULATORÓW LITOWO-JONOWYCH

Akumulatory litowo-jonowe podlegają ustawowym przepisom dotyczącym transportu towarów niebezpiecznych.

Transport tych akumulatorów winien odbywać się przy przestrzeganiu lokalnych, krajowych i międzynarodowych rozporządzeń i przepisów.

• Odbiorcom nie wolno transportować tych akumulatorów po drogach ot tak po prostu.

• Komercyjny transport akumulatorów litowo-jonowych przez przedsiębiorstwa spedycyjne podlega przepisom dotyczącym transportu towarów niebezpiecznych. Przygotowania do wysyłki oraz transport mogą być wykonywane wyłącznie przez odpowiednio przeszkolone osoby. Cały proces winien odbywać się pod fachowym nadzorem.

W czasie transportu akumulatorów należy przestrzegać następujących punktów:

- Celem uniknięcia zwarcia należy upewnić się, że zestyki są zabezpieczone i zaizolowane.
- Zwracać uwagę na to, aby zespół akumulatorów nie mógł się przemieszczać we wnętrzu opakowania.
- Nie wolno transportować akumulatorów uszkodzonych lub z wyciekającym z elektrolitem.

Odnośnie dalszych wskazówek należy zwrócić się do swojego przedsiębiorstwa spedycyjnego.

#### SYMBOLE



UWAGA! OSTRZEŻENIE  
NIEBEZPIECZEŃSTWO!



Przed przystąpieniem do jakichkolwiek prac na elektronarzędziu należy wyjąć wkładkę akumulatorową.



Przed uruchomieniem elektronarzędzia zapoznać się uważnie z treścią instrukcji.



Podczas pracy należy zawsze nosić okulary ochronne.



Nosić rękawice ochronne!



Urządzenia elektryczne, baterie/akumulatory nie mogą być usuwane razem z odpadami pochodzącymi z gospodarstw domowych.

Urządzenia elektryczne i akumulatory należy gromadzić oddzielnie i w celu usuwania ich do odpadów zgodnie z wymaganiami środowiska naturalnego oddawać do przedsiębiorstwa utylizacyjnego. Proszę zasięgnąć informacji o centrach recyklingowych i punktach zbiorczych u władz lokalnych lub u wyspecjalizowanego dostawcy.



Znak CE

ØPmax = 76 mm

Maksymalna wydajność polerowania

ØSmax = 51 mm

Maksymalna wydajność szlifowania



Krajowy znak zgodności Ukraina



Znak zgodności EurAsian

MŰSZAKI ADATOK	M12 BPS
<b>Polírozó-/Csiszológép</b>	
Gyártási szám	4477 93 03... ...000001-999999
Akkumulátor feszültség	12 V
Névleges fordulatszám 1. sebességben	0-2800 min <sup>-1</sup>
Névleges fordulatszám 2. fokozatban	0-8300 min <sup>-1</sup>
Polírozó kerek átmérője	76 mm
Csiszolókorong átmérő	51 mm
Tengelymenet	M9x0,75
Súly a 01/2003 EPTA-eljárás szerint (2,0 Ah)	1,0 kg
Súly a 01/2003 EPTA-eljárás szerint (4,0 Ah)	1,2 kg
<b>Zaj-/Vibráció-információ</b>	
A közölt értékek megfelelnek az EN 60 745 szabványnak. A készülék munkahelyi zajszintje tipikusan: Hangnyomás szint (K bizonytalanság=3dB(A)) Hangteljesítmény szint (K bizonytalanság=3dB(A))	68,24 dB(A) 79,20 dB(A)
<b>Hallásvédő eszköz használata ajánlott!</b>	
Összesített rezgésértékek (három irány vektoriális összeg az EN 60745-nek megfelelően meghatározva.	
Polírozás ah,D rezegésemisszió érték K bizonytalanság	2,95 m/s <sup>2</sup> 1,83 m/s <sup>2</sup>
Homokpapíros csiszolás ah,D rezegésemisszió érték K bizonytalanság	2,3 m/s <sup>2</sup> 1,5 m/s <sup>2</sup>

## FIGYELMEZTETÉS

A jelen utasításokban megadott rezgésszint értéke az EN 60745-ben szabályozott mérési eljárásnak megfelelően került le mérésre, és használható elektromos szerszámokkal történő összehasonlításhoz. Az érték alkalmas a rezgésterhelés előzetes megbecslésére is.

A megadott rezgésszint-érték az elektromos szerszám legfőbb alkalmazásait reprezentálja. Ha az elektromos szerszámot azonban más alkalmazásokhoz, eltérő használt szerszámokkal vagy nem elegendő karbantartással használják, a rezgésszint értéke eltérő lehet. Ez jelentősen megnövelheti a rezgésterhelést a munkavégzés teljes időtartama alatt.

A rezgésterhelés pontos megbecsléséhez azokat az időket is figyelembe kell venni, melyekben a készülék lekapcsolódik, vagy ugyan működik, azonban ténylegesen nincs használatban. Ez jelentősen csökkentheti a rezgésterhelést a munkavégzés teljes időtartama alatt.

Határozzon meg további biztonsági intézkedéseket a kezelő védelmére a rezgések hatása ellen, például: az elektromos és a használt szerszámok karbantartásával, a kezek melegen tartásával, a munkafolyamatok megszervezésével.

**▲ FIGYELMEZTETÉS!** Olvasson el minden biztonsági útmutatást és utasítást. A következőkben leírt előírások betartásának elmulasztása áramütésekhez, tűzhoz és/vagy súlyos testi sérülésekhez vezethet.

**Kérjük a későbbi használatra gondosan őrizze meg ezeket az előírásokat.**

## ▲ A POLÍROZÓ-/CSISZOLÓGÉPRE VONATKOZÓ BIZTONSÁGI ÚTMUTATÁSOK

**Közös figyelmeztető tájékoztató a csiszolópapírral végzett csiszoláshoz és polírozáshoz:**

**a) Ez az elektromos kéziszerszám polírozógépként és csiszolópapíros csiszológépként. Ügyeljen minden figyelmeztető jelzésre, előírásra, ábrára és adatra, amelyet az elektromos kéziszerszámmal együtt megkapott.** Ha nem tartja be a következő előírásokat, akkor ez áramütéshez, tűzhoz és/vagy súlyos személyi sérülésekhez vezethet.

**b) Ez az elektromos szerszám nem alkalmas vágó- és nagyoló korongok, drótkéfékkel végzendő munkákhoz.** Az elektromos szerszám olyan használata, amely nem felel meg a rendeltetésének, veszélyeket és sérüléseket okozhat.

**c) Ne használjon olyan tartozékokat, amelyeket a gyártó ehhez az elektromos kéziszerszámmal nem irányzott elő és nem javasolt.** Az a tény, hogy a tartozék rögzíteni tudja az elektromos kéziszerszámra, nem garantálja annak biztonságos alkalmazását.

**d) A betétszerszám megengedett fordulatszámának legalább annyianak kell lennie, mint az elektromos szerszámon megadott legnagyobb fordulatszám.** Az olyan tartozék, ami a megengedett fordulatszámnál gyorsabban forog, eltörhet vagy lerepülhet.

**e) Az alkalmazott szerszám külső átmérőjének és vastagságának meg kell felelnie az elektromos szerszámon megadott méretadatoknak.** A nem megfelelő méretű szerszámot nem lehet kellőképpen leburkolni és ellenőrizni.

**f) A tartozékok menetének egyeznie kell a csiszolóorsó menetével.** Olyan tartozékoknál, amelyeket karima segítségével szerelnek fel, a tartozék furatának meg kell egyeznie a KARIMA átmérőjével. A készülékhez nem megfelelő tartozékok egyenetlenül járnak, túl erősen rezegnek és a készülék feletti ellenőrzés elvesztését okozhatják.

**g) Ne használjon megrongálódott betétszerszámokat. Vizsgálja meg minden egyes használat előtt a betétszerszámokat: ellenőrizze, nem pattogzott-e le és nem repedt-e meg a csiszolókorong, nincs-e eltörve, megrepedve, vagy nagy mértékben elhasználódva a csiszoló tányér, nincsenek-e a drótkéfében kilazult, vagy eltörött drótok. Ha az elektromos kéziszerszám vagy a betétszerszám leesik, vizsgálja felül, nem rongálódott-e meg, vagy használjon egy hibátlan betétszerszámot. Miután ellenőrizte, majd behelyezte a készülékbe a betétszerszámot, tartózkodjon Ön saját maga és minden más a közelben található személy is a forgó betétszerszám síkján kívül és járassa egy percig az elektromos kéziszerszámot a legnagyobb fordulatszámmal. A megrongá-**

lódott betétszerszámok ezalatt a próbaidő alatt általában már szétörtenek.

**h) Viseljen személyi védőfelszerelést. Használjon az alkalmazásnak megfelelő teljes védőálarcot, szemvédőt vagy védőszemüveget. Amennyiben célszerű, viseljen porvédő álarcot, zajtompító fülvédőt, védő kesztyűt vagy különleges kötényt, amely távol tartja a csiszolószerszám- és anyagrészcskéket.** Mindenképpen védje meg a szemét a kirepülő idegen anyagoktól, amelyek a különböző alkalmazások során keletkeznek. A por- vagy védőálarcnak meg kell szűrnie a használat során keletkező port. Ha hosszú ideig ki van téve az erős zaj hatásának, elvesztheti a hallását.

**i) Ügyeljen arra, hogy más személyek biztos távolságra legyenek a munkaterülettől. Minden személynek védőfelszerelést kell viselnie, aki belép a munkaterületre.** A munkadarabról lepatlanó szilánkok vagy a letört szerszámrészek szétrepülhetnek, és a közvetlen munkaterületen kívül is sérüléseket okozhatnak.

**j) A készüléket a szigetelt markolatfelületeket fogva tartsa, ha olyan munkálatokat végez, melyeknél a vágószerszám rejtett elektromos vezetékbe.** Egy feszültség alatt lévő vezetékkel történő érintkezés a készülék fémes alkatrészeit is feszültség alá helyezheti, és ez áramütéshez vezethet.

**k) Ne tegye le soha addig az elektromos szerszámot, amíg a mozgó betétszerszám nem állt le teljesen.** A forgó betétszerszám hozzáérhet a felfekvő felülethez, és ezáltal kontrollálhatatlanná válhat az elektromos szerszám.

**l) Ne járassa az elektromos kéziszerszámot, miközben azt a kezében tartja.** A forgó betétszerszám egy véletlen érintkezés során bekaphatja a ruháját és a betétszerszám belefűrődhat a testébe.

**m) Tisztítsa meg rendszeresen az elektromos kéziszerszáma szellőzőnyílásait.** A motor ventilátora beszívja a port a házba, és nagyobb mennyiségű fémpor felhalmozódása elektromos veszélyekhez vezethet.

**n) Ne használja az elektromos szerszámot gyűlékony anyagok közelében.** A szikráktól meggyulladhatnak ezek az anyagok.

**o) Ne használjon olyan betétszerszámokat, melyekhez folyékony hűtőközeg szükséges.** A víz vagy más folyékony hűtőközeg használata áramütést okozhat.

## Visszarugás és megfelelő figyelmeztető tájékoztatók

A visszarugás a beékelődő vagy leblokkoló forgó betétszerszám, például csiszolókorong, csiszoló tányér, drótkéfe stb. hirtelen reakciója. A beékelődés vagy leblokkolás a forgó betétszerszám hirtelen leállításához vezet. Ez az irányítatlan elektromos kéziszerszámot a betétszerszámnak a leblokkolási ponton fennálló forgási irányával szembeni irányban felgyorsítja.

Ha például egy csiszolókorong megszorul vagy leblokkol a megmunkálásra kerülő munkadarabban, a csiszolókorongnak a munkadarabba bemenülő éle leáll és így a csiszolókorong kiugorhat vagy visszarugást okozhat. A csiszolókorong ekkor a korongnak a leblokkolási pontban fennálló forgásiirányától függően a kezelő személy felé, vagy attól távolodva mozog. A csiszolókorongok ilyenkor el is törhetnek.

A visszarugás az elektromos kéziszerszám hibás vagy helytelen használatának következménye. Ezt az alábbiakban leírásra kerülő megfelelő óvatossági intézkedésekkel meg lehet gátolni.

**a) Tartsa szorosan fogva az elektromos kéziszerszámot, és hozza a testét és a karjait olyan helyzetbe, amelyben fel tudja venni a visszarugási erőket. Használja mindig a pótfogantyút, amennyiben létezik, hogy a lehető legjobban tudja uralni a visszarugási erőket, illetve felfutáskor a reakciós nyomaték felé.** A kezelő személy megfelelő óvatossági intézkedésekkel uralni tud a visszarugási és reakcióerők felett.

**b) Soha ne vigye a kezét a forgó betétszerszám közelébe.** A betétszerszám visszarugás esetén a kezéhez érhet.

**c) Kerülje el a testével azt a tartományt, ahová egy visszarugás az elektromos kéziszerszámot mozgatja.** A visszarugás az elektromos kéziszerszámot a csiszolókorongnak a leblokkolási pontban fennálló forgásiirányával ellentétes irányba hajtja.

**d) A sarkok és élek közelében különösen óvatosan dolgozzon, akadályozza meg, hogy a betétszerszám lepatlanjon a munkadarabról, vagy megszoruljon a munkadarabban.** A forgó betétszerszám a sarkoknál, élénél és lepatlanás esetén könnyen megszorul. Ez a készülék feletti uralom elvesztéséhez, vagy visszarugáshoz vezet.

**e) Ne használjon láncfűrészlapot vagy fogazott fűrészlapot.** Az ilyen szerszámalkatrészek gyakran visszacsapódást okoznak, vagy ahhoz vezetnek, hogy kontrollálhatatlanná válik az elektromos szerszám.

## Külön figyelmeztetések és tájékoztató a polírozáshoz

**a) Ne tegye lehetővé, hogy a polírozóburán laza részek, mindeneke előtt rögzítő zsinórok legyenek. Megfelelően rögzítse, vagy rövidítse le a rögzítő zsinórokat.** A géppel együtt forgó laza rögzítő zsinórok bekaphatják a kezelő ujjait, vagy beakadhatnak a munkadarabba.

## Külön figyelmeztetések és tájékoztató a csiszolópapír alkalmazásával történő csiszoláshoz

**a) Ne használjon túl nagy csiszolólapokat, hanem kizárólag a gyártó által előírt méretet.** A csiszoló tányéron túl kilógó csiszolólapok személyi sérülést okozhatnak, valamint a csiszolólapok leblokkolásához, széttépődéséhez, vagy visszarugáshoz vezethetnek.

## További biztonsági és munkavégzési utasítások

Fémek csiszolásakor szikra keletkezhet. Ügyeljen a közelben tartózkodó személyek testi épségére, illetve a gyűlékony anyagokat távolítsa el a munkaterületről. Ne használjon porzsívót.

Kerülje el, hogy a szikrahullás és a csiszoláskor keletkező por a testével érintkezzen.

Soha ne érjen a kések veszélyes zónájába működés közben.

A készüléket azonnal ki kell kapcsolni, ha szokatlanul erős rezgés vagy más, hibára utaló jelenség lépne fel. Vizsgálja meg a készüléket, hogy mi lehet a helytelen működés oka.

A munka közben keletkezett forgácsokat, szilánkokat, törmeléket, stb. csak a készülék teljes leállása után szabad a munkaterületről eltávolítani.

A használt akkumulátort ne dobja tűzbe vagy a háztartási szemétkébe. Tájékoztódjon a szakszerű megsemmisítés helyi lehetőségeiről.

Az akkumulátort ne tárolja együtt fém tárgyakkal. (Rövidzárlat veszélye).

Az C12 elnevezésű rendszerhez tartozó akkumulátorokat kizárólag a rendszerhez tartozó töltővel töltsen fel. Ne használjon más rendszerbe tartozó töltőt.

Az akkumulátort, töltőt nem szabad megbontani és kizárólag száraz helyen szabad tárolni. Nedvességtől óvni kell.

Akkumulátor sav folyhat a sérült akkumulátorból extrém terhelés alatt, vagy extrém hő miatt. Ha az akkumulátor sav a bőrre kerül azonnal mossa meg szappanos vízzel. Szembe kerülés esetén folyóvíz alatt tartsa a szemét minimum 10 percig és azonnal forduljon orvoshoz.

**Figyelmeztetés!** A rövidzárlat általi tűz, sérülések vagy termékkárosodások veszélye elkerülésére ne merítse a szerszámot, a cserélhető akkut vagy a töltőkészüléket folyadékokba, és gondoskodjon arról, hogy ne hatoljanak folyadékok a készülékekbe és az akkukba. A korrozív hatású vagy vezetéképes folyadékok, mint pl. a sós víz, bizonyos vegyi anyagok, fehérítők vagy fehérítő tartalmú termékek, rövidzárlatot okozhatnak.



## RENDELTESSZERŰ HASZNÁLAT

A csiszoló- és polírozó készülék fém felületek csiszolására és polírozására lakkok, fedőrétegek, műanyagok és más sima felületek polírozására használható.

Kétséges esetben fi gyelembre kellvenni a tartozék gyártójának útmutatásait.

Az elektromos szerszám csak száraz megmunkálásra alkalmas.

## A HASZNÁLATRA VONATKOZÓ ÚTMUTATÁSOK

A készüléket a segédanyagúval együtt kell használni.

A munkadarabot rögzíteni kell, amennyiben saját súlyá nem tartja meg biztonságosan. A munkadarabot soha nem szabad kézzel vezetni a korong irányába.

## KARBANTARTÁS

A készülék szellőzőnyílásait mindig tisztán kell tartani.

Javításhoz, karbantáshoz kizárólag Milwaukee alkatrészeket és tartozékokat szabad használni. A készülék azon részeinek cseréjét, amit a kezelési útmutató nem engedélyez, kizárólag a javításra feljogosított márkaszervíz végezheti. (Lásd a szervizlistát)

Szükség esetén a készülékek robbantott ábráját - a készülék típusa és azonosító száma alapján a területileg illetékes Milwaukee márkaszerviztől vagy közvetlenül a gyártótól (Techtronic Industries GmbH, Max-Eyth-Straße 10, 71364 Winnenden, Germany) lehet kérni.

## CE-AZONOSSÁGI NYILATKOZAT

Egyedüli felelősséggel kijelentjük, hogy a "Műszaki Adatok" alatt leírt termék a 2011/65/EU (RoHS), 2014/30/EU, 2006/42/EK irányelvek minden releváns előírásának, ill. az alábbi harmonizált normatív dokumentumoknak megfelel:

EN 60745-1:2009+A11:2010  
EN 60745-2-3:2011 + A2:2013  
EN 55014-1:2006+A1:2009+A2:2011  
EN 55014-2:2015  
EN 50581:2012

Winnenden, 2017-11-30

Alexander Krug  
Managing Director



Műszaki dokumentáció összeállításra felhatalmazva

Techtronic Industries GmbH  
Max-Eyth-Straße 10  
71364 Winnenden  
Germany

## AKKUK

A hosszabb ideig üzemben kívül lévő akkumulátort használat előtt ismételtelen fel kell tölteni.

50°C feletti hőmérsékletnél csökkenhet az akkumulátor teljesítménye. Kerülni kell a túlzottan meleg helyen vagy napon történő hosszabb idejű tárolást.

A töltő és az akkumulátor csatlakozóit mindig tisztán kell tartani.

Az optimális élettartam érdekében használat után az akkukat teljesen fel kell tölteni.

A lehetőleg hosszú élettartamhoz az akkukat feltöltés után ki kell venni a töltőkészülékből.

Az akku 30 napot meghaladó tárolása esetén:

Az akkut kb. 27 °C-on, száraz helyen kell tárolni.

Az akkut kb. 30-50%-os töltöttségű állapotban kell tárolni. Az akkut 6 havonta újra fel kell tölteni.

## LÍTIUM-ION AKKUK SZÁLLÍTÁSA

A lítium-ion akkuk a veszélyes áruk szállítására vonatkozó törvényi rendelkezések hatálya alá tartoznak.

Az ilyen akkuk szállításának a helyi, országos és nemzetközi előírások és rendelkezések betartása mellett kell történnie.

- A fogyasztók minden további nélkül szállíthatják az ilyen akkukat közúton.
- A lítium-ion akkuk szállítmányozási vállalatok általi kereskedelmi célú szállítására a veszélyes áruk szállítására vonatkozó rendelkezések érvényesek. A kiszállítás előkészítését és a szállítást kizárólag megfelelő képzettségű személyek végezhetik. A teljes folyamatnak szakmai felügyelet alatt kell történnie.

A következő pontokat kell figyelembe venni akkuk szállításakor:

- Biztosítsa, hogy a rövidzárlatok elkerülése érdekében az érintkezők védve és szigetelve legyenek.
- Ügyeljen arra, hogy az akkucsomag ne tudjon elcsúszni a csomagoláson belül.
- Tilos sérült vagy kifolyt akkukat szállítani.

További útmutatásokért forduljon szállítmányozási vállalatához.

## SZIMBÓLUMOK



FIGYELEM! FIGYELMEZTETÉS!  
VESZÉLY!



Karbantartás, javítás, tisztítás, stb. előtt az akkumulátort ki kell venni a készülékből.



Kérjük alaposan olvassa el a tájékoztatót mielőtt a gépet használja.



Munkavégzés közben ajánlatos védőszemüveget viselni.



Hordjon védőkesztyűt!



Az elektromos eszközöket, elemeket/akkukat nem szabad a háztartási hulladékkal együtt ártalmatlanítani. Az elektromos eszközöket és akkukat szelektíven kell gyűjteni, és azokat környezetbarát ártalmatlanítás céljából hulladékhasznosító üzemben kell leadni. A helyi hatóságoknál vagy szakkereskedőjénél tájékozódjon a hulladékudvarokról és gyűjtőhelyekről.



CE-jelölés

ØPmax = 76 mm

Maximális polírozási teljesítmény

ØSmax = 51 mm

Maximális csiszolóteljesítmény



Ukrán nemzeti megfelelőségi jelölés



Eurázsiai megfelelőségi jelzés.

## TEHNIČNI PODATKI

### Polirno-/Brusilni stroj

Proizvodna številka

### M12 BPS

4477 93 03...  
...000001-999999

Napetost izmenljivega akumulatorja

12 V

Nazivno število vrtljajev v 1. prestavi

0-2800 min<sup>-1</sup>

Nazivno število vrtljajev v 2. prestavi

0-8300 min<sup>-1</sup>

Premer poliranje koleša

76 mm

Premer brusilne plošče

51 mm

Vretenasti navoj

M9x0,75

Teža po EPTA-proceduri 01/2003 (2,0 Ah)

1,0 kg

Teža po EPTA-proceduri 01/2003 (4,0 Ah)

1,2 kg

### Informacije o hrupnosti/vibracijah

Vrednosti merjenja ugotovljene ustrežno z EN 60 745.

Raven hrupnosti naprave ovrednotena z A, znaša tipično:

Nivo zvočnega tlaka (Nevarnost K=3dB(A))

68,24 dB(A)

Višina zvočnega tlaka (Nevarnost K=3dB(A))

79,20 dB(A)

### Nosite zaščito za sluh!

Skupna vibracijska vrednost (Vektorska vsota treh smerdoločena ustrežno EN 60745.

Poliranje

Vibracijska vrednost emisij a<sub>h,p</sub>

2,95 m/s<sup>2</sup>

Nevarnost K

1,83 m/s<sup>2</sup>

Brušenje s smirkovim papirjem

Vibracijska vrednost emisij a<sub>h,ds</sub>

2,3 m/s<sup>2</sup>

Nevarnost K

1,5 m/s<sup>2</sup>

## OPOZORILO

V teh navodilih navedena raven tresljajev je bila izmerjena po EN60745 normiranem merilnem postopku in lahko služi medsebojni primerjavi električnih orodij. Prav tako je primeren za predhodno oceno obremenitve s tresljaji.

Navedena raven tresljajev navaja najpomembnejše vrste rabe električnega orodja. Kadar se električno orodje uporablja za drugačne namene, z odstopajočimi orodji ali pa z nezadostnim vzdrževanjem, lahko raven tresljajev tudi odstopa. Le to lahko čez celoten delovni čas znatno zviša obremenitev s tresenjem.

Dejansko oceno obremenitve s tresljaji naj bi se upošteval tudi čas v katerem je naprava izklopljena ali sicer teče, vendar je dejansko ni v rabi. Le to lahko obremenitev s tresljaji čez celoten delovni čas znatno zmanjša.

Za zaščito upravljalca pred učinkom tresljajev uvedite dodatne zaščitne ukrepe npr.: Vzdrževanje električnega orodja in orodja, delo s toplimi rokami, organizacija delovnih potekov.

**⚠ OPOZORILO! Preberite vsa varnostna opozorila in navodila.** Napake zaradi neupoštevanja spodaj navedenih opozoril in napotil lahko povzročijo električni udar, požar in/ali težke telesne poškodbe.  
**Vsa opozorila in napotila shranite, ker jih boste v prihodnje še potrebovali.**

## ⚠ VARNOSTNA OPOZORILO POLIRNO-/BRUSILNI STROJ

Skupna opozorila za brušenje z brusnim papirjem in poliranje:

**a) To električno orodje se lahko uporablja za kot polirni ter brušenje z brusnim papirjem. Upoštevajte vsa opozorila, navodila, slikovne prikaze in podatke, ki ste jih prejeli skupaj z električnim orodjem.** Zaradi neupoštevanja spodaj navedenih navodil lahko pride do električnega udara, požara in/ali težkih telesnih poškodb.

**b) To električno orodje ni primerno za razdvajanje in grobo brušenje in delo z žičnimi krtačami.** Uporaba za katero stroj ni predviden, lahko povzroči nevarnosti in poškodbe.

**c) Ne uporabljajte pribora, ki ga proizvajalec za to orodje ni specialno predvidel in katerega uporabe ne priporoča.** Zgolj dejstvo, da lahko nek pribor pritrdite na Vaše električno orodje, še ne zagotavlja varne uporabe.

**d) Dovoljeno število vrtljajev uporabljenega orodja mora biti vsaj tako visoko, kot je največje število vrtljajev električnega orodja.** Pribor, ki se vrti hitreje od dovoljene števila vrtljajev, se lahko polomi in razleti.

**e) Zunanji premer in debelina delovnega orodja morajo odgovarjati navedbenim meram Vaše električne naprave.** Nepravilno izmerjeno uporabno orodje se ne more zadostno zasloniti oziroma kontrolirati

**f) Navoj delov pribora se mora ujemati s navojem brusilnega vretena.** Pri delih pribora, ki se nastajajo s pomočjo pribornice, se mora izvirna dela pribora ujemati s premerom PRIROBNICE. Deli pribora, ki ne pašejo na napravo, ne tečejo krožno, premočno vibrirajo in lahko privedejo do izgube nadzora nad napravo.

**g) Ne uporabljajte poškodovanih vsadnih orodij.** Pred vsako uporabo preglejte brusilne kolute, če se ne luščijo oziroma če nimajo razpok, brusilne krožnike, če nimajo razpok oziroma če niso močno obrabljeni ali izrabljeni, žične četke pa, če nimajo zrahljanih ali odlomljenih žic. Če pade električno orodje ali vsadno orodje na tla, pogledajte, če ni poškodovano in uporabljajte samo nepoškodovana vsadna orodja. Po kontroli in vstavljanju vsadnega orodja se ne zadržujte v ravnini vrtečega se vsadnega orodja, kar velja tudi za druge osebe v bližini. Električno orodje naj eno minuto deluje z najvišjim številom vrtljajev. Poškodovana vsadna orodja se največkrat zlomijo med tem preizkusnim časom.

**h) Uporabljajte osebno zaščitno opremo.** Odvisno od vrste uporabe si natakните zaščitno masko čez cel obraz, zaščito za oči ali zaščitna očala. Če je potrebno, nosite zaščitno masko proti prahu, zaščitne glušnike, zaščitne rokavice ali specialni predpasnik, ki Vas bo zavaroval pred manjšimi delci materiala, ki nastajajo pri

**brušenju.** Oči je treba zavarovati pred tujki, ki nastajajo pri različnih vrstah uporabe naprave in letijo naokrog. Zaščitna maska proti prahu ali dihalna maska morata filtrirati prah, ki nastaja pri uporabi. Predolgo izpostavljanje glasnemu hrupu ima lahko za posledico izgubo sluha.

**i) Pazite pri drugih osebah na varnostno razdaljo do Vašega delovnega področja. Vsakdo ki pristopi delovnem področju mora nositi osebno zaščitno opremo.** Drobci obdelovanca ali zlomljeno delovno orodje lahko odletijo in povzročijo poškodbe ven direktnega delovnega področja.

**j) Kadar izvajate dela pri katerih lahko orodje zadane prikriti električni napeljava, je napravo potrebno držati za izolirane prijemalne površine.** Stik z napeljavo pod napetostjo lahko spravi tudi kovinske dele naprave pod napetost in privede do električnega udara.

**k) Ne odlagajte električno napravo vse dokler se električna naprava ni popolnoma umirila.** Vrtečo delovno orodje lahko pride v kontakt z odlagalno površino s čimer lahko izgubite kontrolo nad električno napravo.

**l) Električno orodje naj medtem, ko ga prenašate naokrog, ne deluje.** Vrteče se vsadno orodje lahko zaradi naključnega kontakta zagradi Vaše oblačilo in se zavrti v Vaše telo.

**m) Prezračevalne reže Vašega električnega orodja morate redno čistiti.** Ventilator motorja povleče v ohišje prah in velika količina nabranega prahu je lahko vzrok za električno nevarnost.

**n) Ne uporabljajte električno napravo v bližini vnetljivih materialov.** Iskre lahko vnamejo te materiale.

**o) Ne uporabljajte delovno orodje katero zahteva tekoča sredstva hlajenja.** Uporaba vode ali ostalih tekočih sredstev hlajenja lahko vodijo do električnega udarca.

#### **Povratni udarec in ustrezna opozorila**

Povratni udarec je nenadna reakcija, ki nastane zaradi zagodenja ali blokiranja vrtečega se vsadnega orodja, na primer brusilnega koluta, brusilnega krožnika, žične ščetke in podobnega. Zagodenje ali blokiranje ima za posledico takojšnjo ustavitve vrtečega se vsadnega orodja. Nekomolitirano električno orodje se zaradi tega pospešeno premakne v smer, ki je nasprotna smeri vrtenja vsadnega orodja.

Če se na primer brusilni kolot zatakne ali zablokira v obdelovancu, se lahko rob brusilnega koluta, ki je potopljen v obdelovanec, zaplete vanj in brusilni kolot se odloži ali povzroči povratni udarec. Brusilni kolot se nato premakne proti uporabniku ali proč od njega, odvisno od smeri vrtenja brusilnega koluta na mestu blokiranja. Blokirni koloti se lahko pri tem tudi zlomijo.

Povratni udarec je posledica napačne ali pomanjkljive uporabe električnega orodja. Preprečite ga lahko z ustreznimi previdnostnimi ukrepi. Navedeni so v nadaljevanju besedila.

**a) Dobro držite električno orodje in premaknite telo in roke v položaj, v katerem boste lahko prestregli moč povratnega udarca. Če je na voljo dodatni ročaj, ga obvezno uporabljajte in tako zagotovite najboljše možno nadziranje moči povratnih udarcev ali reakcijskih momentov pri zagonu naprave.** Z ustreznimi previdnostnimi ukrepi lahko uporabnik obvlada moč povratnih udarcev in reakcijskih momentov.

**b) Nikoli z roko ne segajte v bližino vrtečih se vsadnih orodij.** V primeru povratnega udarca se lahko orodje premakne čez Vašo roko.

**c) Ne približujte telesa področju, v katerega se lahko v primeru povratnega udarca premakne električno orodje.** Povratni udarec potisne električno orodje v smer, ki je nasprotna smeri premikanja brusilnega koluta na mestu blokiranja.

**d) Posebno previdno delajte v kotih, na ostrih robovih in podobnih površinah. Preprečite, da bi vsadna orodja**

**odskočila od obdelovanca in se zagozdila.** Vrteče se vsadno orodje se v kotih, na ostrih robovih ali če odskoči, zlahka zagozdi. To povzroči izgubo nadzora ali povratni udarec.

**e) Ne uporabljajte veržni ali nazobčani žagin list.** Tako delovno orodje povzroči pogosto povratni udarec ali izgubo kontrole nad električno napravo.

#### **Posebna opozorila za poliranje**

**a) Polirna kapa ne sme imeti nobenih opletajočih delov, kar še posebno velja za pritrilne trakove. Pritrilne trakove spravite ali skrajšajte.** Opletajoči pritrilni trakovi, ki se vrtijo skupaj s polirno kapo, lahko zagrabijo Vaše prste ali se zapletejo v obdelovanec.

#### **Posebna opozorila za brušenje z brusnim papirjem**

**a) Ne uporabljajte predimenzioniranih brusilnih listov, temveč upoštevajte podatke proizvajalca o velikosti žaginega lista.** Brusilni listi, ki gledajo čez brusilni krožnik, lahko povzročijo telesne poškodbe ali pa blokiranje in trganje žaginega lista oziroma povratni udarec.

#### **Nadaljna varnostna in delovna opozorila**

Pri brušenju kovin nastaja iskenje. Pazite na to, da ne ogrožate nobenih oseb. Zaradi nevarnosti požara se v bližini (na področju iskenja) ne smejo nahajati nobeni gorljivi materiali. Ne uporabljajte odsesavanja prahu.

Izogibajte se temu, da bi iskenje in brusilni prah zadevali v telo.

Ne segajte na področje nevarnosti tekočih nožev!

Napravo takoj izklopite, če nastopijo znatne vibracije ali če ugotovite drugačne pomanjkljivosti. Preverite stroj, da ugotovite vzrok.

Trske ali iveri se pri tekočem stroju ne smejo odstranjevati. Izrabljenih izmenljivih akumulatorjev ne mečite v ogenj ali v gospodinjinske odpadke. Milwaukee nudi okolju prijazno odlaganje starih izmenljivih akumulatorjev; prosimo povprašajte vašega strokovnega trgovca.

Izmenljivih akumulatorjev ne hranite skupaj s kovinskimi predmeti (nevarnost kratkega stika).

Izmenljive akumulatorje sistema C12 polnite samo s polnilnimi aparati sistema C12. Ne polnite nobenih akumulatorjev iz drugih sistemov.

Izmenljivih akumulatorjev in polnilnih aparatov ne odpirajte in jih hranite samo v suhih prostorih. Zaščitite jih pred mokroto.

Pod ekstremno obremenitvijo ali ob ekstremni temperaturi iz poškodovanega izmenljivega akumulatorja lahko izteka akumulatorska tekočina. Po stiku z akumulatorsko tekočino prizadeto mesto takoj izperite z vodo in milom. Po stiku z očmi takoj najmanj 10 minut dolgo temeljito izpirajte in nemudoma obiščite zdravnika.

**Opozorilo!** V izogib, s kratkim stikom povzročene nevarnosti požara, poškodbe ali okvar na proizvodu, orodja, izmenljivega akumulatorja ali polnilne naprave ne potaplajte v tekočine in poskrbite, da ne bo prihajalo do vdora tekočin v naprave in akumulatorje. Korozivne ali prevodne tekočine, kot so slana voda, določene kemikalije in belila ali proizvodi, ki le ta vsebujejo, lahko povzročijo kratek stik.

#### **UPORABA V SKLADU Z NAMEMBOSTJO**

Brusna in polirna naprava je primerna za brušenje in poliranje lakov, slojev, umetnih mas in drugih gladkih površin.

Kadar ste v dvomu upoštevajte navodila proizvajalcapribora.

Električno orodje je primerno zgolj za suho obdelavo.

#### **PRACOVNE POKYNY**

Vedno uporabljajte dodatni ročaj.

Kos, ki ga želite obdelovati, mora biti trdno vpet, če ne drži že zaradi lastne teže. Nikoli obdelovalnega kosa ne vodite z roko proti plošči.

#### **VZDRŽEVANJE**

Pazite na to, da so prezračevalne reže stroja vedno čiste. Uporabljajte samo Milwaukee pribor in nadomestne dele. Poskrbite, da sestavne dele, katerih zamenjava ni opisana, zamenjajo v Milwaukee servisni službi (upoštevajte brošuro Garancija/Naslovi servisnih služb).

Po potrebi se lahko pri vaši servisni službi ali direktno pri Techtronic Industries GmbH naroči eksplozijska risba naprave ob navedbi tipa stroja in številke s tipske ploščice Techtronic Industries GmbH, Max-Eyth-Straße 10, 71364 Winnenden, Germany.

#### **CE-IZJAVA O KONFORMNOSTI**

V lastni odgovornosti izjavljamo, da se pod "Tehnični podatki" opisan proizvod ujema z vsemi relevantnimi predpisi smernice 2011/65/EU (RoHS), 2014/30/EU, 2006/42/ES in s sledečimi harmoniziranimi normativnimi dokumenti:

EN 60745-1:2009+A11:2010  
EN 60745-2-3:2011 + A2:2013  
EN 55014-1:2006+A1:2009+A2:2011  
EN 55014-2:2015  
EN 50581:2012

Winnenden, 2017-11-30

Alexander Krug  
Managing Director



Pooblaščen za izdelavo spisov tehnične dokumentacije.

Techtronic Industries GmbH  
Max-Eyth-Straße 10  
71364 Winnenden  
Germany

#### **AKUMULATORJI**

Izmenljive akumulatorje, ki jih daljši čas niste uporabljali, pred uporabo naknadno napolnite. Temperatura nad 50°C zmanjšuje zmogljivost izmenljivega akumulatorja. Izogibajte se daljšemu segrevanju zaradi sončnih žarkov ali grejta.

Pazite, da ostanje priključni kontakti na polnilnem aparatu in izmenljivem akumulatorju čisti.

za optimalno življenjsko dobo je potrebno akumulatorje po uporabi do konca napolniti.

Za čim daljšo življenjsko dobo naj se akumulatorji po napolnitvi vzamejo ven iz naprave za polnjenje.

Pri skladiščenju akumulatorjev dalj kot 30 dni: Akumulator skladiščiti pri 27°C in na suhem. Akumulator skladiščiti pri 30%-50% stanja polnjenja. Akumulator spet napolniti vsakih 6 mesecev.

#### **TRANSPORT LITIJ-IONSkih AKUMULATORJEV**

Litij-ionski akumulatorji so podvrženi zakonskim določbam transporta nevarnih snovi.

Transport teh akumulatorjev se mora izvajati upoštevajoč lokalne, nacionalne in mednarodne predpise in določbe.

- Potrošniki lahko te akumulatorje še nadalje transportirajo po cesti.
- Komercialni transport litij-ionskih akumulatorjev s strani špediterskih podjetij je potrjen določbam transporta nevarnih snovi. Priprava odpreme in transporta se lahko vrši izključno s strani ustrezno izoliranih oseb. Celoten proces je potrebno strokovno spremljati.

Pri transportu akumulatorjev je potrebno upoštevati sledeče točke:

- V izogib kratkim stikom zagotovite, da bodo kontakti zaščiteni in izolirani.
- Bodite pozorni na to, da paket akumulatorja v notranjosti embalaže ne bo mogel zdrsniti.
- Poškodovanih ali iztekajočih akumulatorjev ni dovoljeno transportirati.

Za nadaljnja navodila se obrnite na vaše špeditersko podjetje.

#### **SIMBOLI**



POZOR! OPOZORILO! NEVARNO!



Pred vsemi deli na stroji odstranite izmenljivi akumulator.



Prosimo, da pred uporabo pazljivo preberete to navodilo za uporabo.



Pri delu s strojem vedno nosite zaščitna očala.



Nositi zaščitne rokavice



Električnih naprav, baterij/akumulatorjev ni dovoljeno odstranjevati skupaj z gospodinjstvenimi odpadki. Električne naprave in akumulatorje je potrebno zbirati ločeno in za okolju prijazno odstranitev, oddati podjetju za reciklažo. Pri krajevnem uradu ali vašem strokovnem prodajalcu se pozanimajte glede reciklažnih dvorišč in zbirnih mest.



CE-znak

ØPmax = 76 mm

Maksimalna zmogljivost poliranja

ØSmax = 51 mm

Maksimalna zmogljivost brušenja



Nacionalna oznaka skladnosti Ukrajina



EurAsian oznaka o skladnosti.



TEHNIČKI PODACI	M12 BPS
<b>Poliranje/Brušenje</b>	
Broj proizvodnje	4477 93 03... ...000001-999999
Napon baterije za zamjenu	12 V
Nazivni broj okretaja u 1. Brzini	0-2800 min <sup>-1</sup>
Nazivni broj okretaja u 2. Brzini	0-8300 min <sup>-1</sup>
Promjer poliranja kotači	76 mm
Promjer brusne ploče	51 mm
Navoj vretena	M9x0,75
Težina po EPTA-proceduri 01/2003 (2,0 Ah)	1,0 kg
Težina po EPTA-proceduri 01/2003 (4,0 Ah)	1,2 kg
<b>Informacije o buci/vibracijama</b>	
Mjerne vrijednosti utvrdjene odgovarajuće EN 60 745. A-ocijenjeni nivo buke aparata iznosi tipično: nivo pritiska zvuka (Nesigurnost K=3dB(A)) nivo učinka zvuka (Nesigurnost K=3dB(A))	68,24 dB(A) 79,20 dB(A)
<b>Nositi zaštitu sluha!</b>	
Ukupne vrijednosti vibracije (Vektor suma tri smjersu odmjerene odgovarajuće EN 60745)	
Poliranje	
Vrijednost emisije vibracije a <sub>h,p</sub>	2,95 m/s <sup>2</sup>
Nesigurnost K	1,83 m/s <sup>2</sup>
Brušenje pješčanim papirom	
Vrijednost emisije vibracije a <sub>h,ds</sub>	2,3 m/s <sup>2</sup>
Nesigurnost K	1,5 m/s <sup>2</sup>

## UPOZORENIE

Ova u ovim uputama navedena razina titranja je bila izmjerena odgovarajuće jednom u EN 60745 normiranom mjernom postupku i može se upotrijebiti za usporedbu električnog alata međusobno. Ona je prikladna i za privremenu procjenu titrajnog opterećenja.

Navedena razina titranja reprezentira glavne primjene električnog alata. Ukoliko se električni alat upotrebljava u druge svrhe sa odstupajućim primijenjenim alatima ili nedovoljnim održavanjem, onda razina titranja može odstupati. To može titrajno opterećenje kroz cijeli period rada bitno povisiti.

Za točnu procjenu titrajnog opterećenja se moraju uzeti u obzir i vremena u kojima je uređaj isključen ili u kojima doduše radi, ali nije i stvarno u upotrebi. To može titrajno opterećenje bitno smanjiti za vrijeme cijelog radnog perioda.

Utvrdite dodatne sigurnosne mjere za zaštitu poslužioca protiv djelovanja titranja kao npr.: Održavanje električnih alata i upotrebljenih alata, održavanje topline ruku, organizacija i radne postupke.

**⚠ UPOZORENJE! Pročitajte molimo sve sigurnosna upozorenja i upute.** Ako se ne bi poštivala napomene o sigurnosti i upute to bi moglo uzrokovati strujni udar, požar i/ili teške ozljede.  
**Sačuvajte sve napomene o sigurnosti i upute za buduću primjenu.**

## ⚠ SIGURNOSNE UPUTE ZA STROJ ZA POLIRANJE/BRUŠENJE

Zajedničke upute s upozorenjima za brušenje brusnim papirom i poliranje:

**a) Ovaj električni alat treba koristiti kao uređaj za poliranje i brusilicu s brusnim papirom. Pridržavajte se svih naputaka s upozorenjem, uputa, prikaza i podataka koje ste dobili s električnim alatom.** Ako se ne bi pridržavali sljedećih uputa, moglo bi doći do električnog udara, požara i/ili teških ozljeda.

**b) Ovaj električni alat nije prikladan za odvajčko i grubo brušenje i radove sa žičanim četkama.** Primjene, za koje električni alat nije predviđen, mogu prouzročiti ugrožavanja i povrede.

**c) Ne koristite pribor koji proizvođač nije posebno predvidio i preporučio za ovaj električni alat.** Sama činjenica da se pribor može pričvrstiti na vaš električni alat, ne jamči sigurnu primjenu.

**d) Dozvoljeni broj okretaja alatnih nastavaka mora najmanje biti toliki kao što je i najveći broj okretaja**

**naveden na električnom alatu.** Oprema koja ima veći broj okretaja od dozvoljenog može se polomiti i razletjeti.

**e) Vanjski premjer i debljina korištenog alata moraju biti sukladni mjerama Vašeg električnog stroja.** Alati sa ne primjerenim mjerama se ne mogu dovoljno pokriti i kontrolirati.

**f) Navoj dijelova pribora se mora podudarati sa navojem brusnog vretena.** Kod dijelova pribora, koji se montiraju uz pomoć jedne prirubnice, bušotina dijela pribora se mora podudarati sa promjerom PRIRUBNICE. Dijelovi pribora, koji ne pristaju na uređaj, rade nepravilno, prejako vibriraju i mogu dovesti do gubitka kontrole nad uređajem.

**g) Ne koristite oštećene radne alate. Prije svake primjene kontrolirajte radne alate, kao što su brusne ploče na odlamanje komadića i pukotine, brusne tanjure na pukotine, trošenje ili veću istrošenost, čelične četke na oslobođene ili odlomljene žice. Ako bi električni alat ili radni alat pao, provjerite da li je oštećen ili koristite neoštećeni radni alat. Kada koristite ili kontrolirate radni alat, osobe koje se nalaze blizu držite izvan ravnine rotirajućeg radnog alata i ostavite električni alat da se jednu minutu vrti sa maksimalnim brojem okretaja.** Oštećeni radni alati najčešće se lome u vrijeme ovakvih ispitivanja.

**h) Nosite osobnu zaštitnu opremu. Ovisno od primjene koristite masku za zaštitu lica i zaštitne naočale. Ukoliko je to potrebno, nosite masku za zaštitu od prašine, štitnike za sluh, zaštitne rukavice ili specijalne pregače, koje će vas zaštititi od sitnih čestica od brušenja i ma-**

**terijala.** Oči treba zaštititi od letećih stranih tijela koja nastaju kod različitih primjena. Zaštitne maske protiv prašine ili za disanje moraju profiltrirati prašinu nastalu kod primjene. Ako ste dulje vrijeme izloženi buci, mogao bi vam se pogoršati sluh.

**i) Pazite, da su druge osobe na bezopasnoj udaljenosti od Vaše radne zone. Svako, ko ulazi u radnu zonu mora imati sredstva osobne zaštite.** Odlomljeni dijelovi obrađivanog materijala ili pokvareni alat mogu odskočiti i izazvati oštećenje ljudi čak i izvan neposredne radne zone.

**j) Držite spravu na izoliranim držačkim površinama kada izvodite radove kod kojih rezački alat može pogoditi skrivene vodove struje.** Kontakt sa vodom pod naponom može i metalne dijelove aparata staviti pod napon i dovesti do električnog udara.

**k) Nikad ne ostavljajte električni stroj bez nadzora, dok se alat ne zaustavi potpuno.** Alat koji se vrti može doći u kontakt sa površinom, na kojoj ste ostavili stroj, pri tome lako izgubite kontrolu nad strojem.

**l) Ne dopustite da električni alat radi dok ga nosite.** Rotirajući radni alat bi slučajnim kontaktom mogao zahvatiti vašu odjeću, a radni alat bi vas mogao ozlijediti.

**m) Redovito čistite otvore za hlađenje vašeg električnog alata.** Ventilator motora uvlači prašinu u kućište električnog alata, a veliko nakupljanje metalne prašine može uzrokovati električne opasnosti.

**n) Ne koristite električni stroj u blizini eksplozivnih tvari.** Iskre mogu zapaliti ove materijale.

**o) Ne koristite alat, koji se mora hladiti tekućinama.** Upotreba vode ili drugih tekućina za hlađenje mogu izazvati kratki spoj.

## Povratni udar i odgovarajuće upute upozorenja

Povratni udar je iznenadna reakcija zbog radnog alata koji se je zaglavio ili blokirao, kao što su brusilice, brusni tanjuri, čelične četke itd. Zaglavljivanje ili blokiranje dovodi do naglog zaustavljanja rotirajućeg radnog alata. Zbog toga će se nekontrolirani električni alat ubrzati u smjeru suprotnom od smjera rotacije radnog alata na mjestu blokiranja.

Ako bi se npr. brusna ploča zaglavila ili blokirala u izratku, tada rub brusne ploče koja je zarezala u izradak može odlomiti brusnu ploču ili uzrokovati povratni udar. Brusna ploča se kod toga pomiče prema osobi koja rukuje električnim alatom ili od nje, ovisno od smjera rotacije brusne ploče na mjestu blokiranja. Kod toga se brusne ploče mogu i odlomiti.

Povratni udar je posljedica pogrešne ili neispravne uporabe električnog alata. On se može spriječiti prikladnim mjerama opreza, kao što su dolje opisane.

**a) Električni alat držite čvrsto i vaše tijelo i ruke dovedite u položaj u kojem možete previjeti silu povratnog udara.** Ukoliko postoji koristite uvijek dodatnu ruku, kako bi imali najveću moguću kontrolu nad silama povratnog udara ili momentima reakcije kod rada električnog alata. Osoba koja rukuje električnim alatom može prikladnim mjerama opreza ovladati povratnim udarom ili silama reakcije.

**b) Vaše ruke nikada ne stavljajte blizu rotirajućeg radnog alata.** Radni alat se kod povratnog udara može pomaknuti preko vaših ruku.

**c) Vašim tijelom izbjegavajte područja u kojim se električni alat pomiče kod povratnog udara.** Povratni udar potiskuje električni alat u smjeru suprotnom od pomicanja brusne ploče na mjestu blokiranja.

**d) Posebno opreznim radom u području uglova, oštih rubova, itd. spriječit ćete da se radni alat odbaci od izratka i da se u njemu uklješti.** Rotirajući radni alat kada se odbije na uglovima ili oštirim rubovima, sklon je uklještenju. To uzrokuje gubitak kontrole nad radnim alatom ili povratni udar.

**e) Ne upotrebljavajte lančani ili zupčasti rezni disk.** Ovakvi alat često prouzročava "trzanje" ili gubitak kontrole nad električnom stroju.

## Posebne napomene upozorenja za poliranje

**a) Ne dopustite labave dijelove haube za poliranje, osobito uzice za pričvršćenje. Uzice za pričvršćenje na odgovarajući način smjestite ili skratite.** Ovakve labave uzice koje rotiraju mogle bi zahvatiti vaše prste ili izradak.

## Posebne upute upozorenja za brušenje brusnim papirom

**a) Ne koristite predimenzionirane brusne listove, nego se pridržavajte podataka proizvođača za veličine brusnih listova.** Brusni listovi koji strše izvan brusnih tanjura mogu uzrokovati ozljede i dovesti do blokiranja, trganja brusnih listova ili do povratnog udara.

## Ostale sigurnosne i radne upute

Kod brušenja metala dolazi do iskrenja. Obratiti pažnju, da se ne ugrožavaju osobe. Zbog opasnosti od požara u blizini se ne smiju nalaziti gorivi materijali (područje leta iskri). Ne primijeniti usisavanje prašine.

Izbjegavajte da iskre i prašina brušenja ne pogode tijelo.

Ne sezati u područje opasnosti noža kod rada!

Aparat odmah isključiti, ako dođe do bitnih titranja, ili ako se utvrde drugi nedostaci. Provjerite stroj, kako bi utvrdili uzrok.

Piljevina ili iverje se za vrijeme rada stroja ne smiju odstranjivati.

Istrošene baterije za zamjenu ne bacati u vatra ili u kućno smeće. Milwaukee nudi mogućnost uklanjanja starih baterija odgovarajuće okolini. Milwaukee nudi mogućnost uklanjanja starih baterija odgovarajuće okolini; upitajte molimo Vašeg stručnog trgovca.

Baterije za zamjenu ne čuvati skupa sa metalnim predmetima (opasnost od kratkog spoja).

Baterije sistema C12 puniti samo sa uređajem za punjenje sistema C12. Ne puniti baterije iz drugih sistema.

Baterije za zamjenu i uređaje za punjenje ne otvarati i čuvati ih samo u suhim prostorijama. Čuvati protiv vlage.

Pod ekstremnim opterećenjem ili ekstremne temperature može iz oštećenih baterija iscuriti baterijska tekućina. Kod dodira sa baterijskom tekućinom odmah isprati sa vodom i sapunom. Kod kontakta sa očima odmah najmanje 10 minuta temeljno ispirati i odmah potražiti liječnika.

**Upozorenje!** Zbog izbjegavanja opasnosti od požara jednim kratkim spojem, opasnosti od ozljeda ili oštećenja proizvoda, alat, izmjenjivi akumulator ili napravu za punjenje ne uronjavati u tekućine i pobrinite se za to, da u uređaje ili akumulator ne prodiru nikakve tekućine. Koroziirajuće ili vodljive tekućine kao slana voda, određene kemikalije i sredstva za bijeljenje ili proizvodi koji sadrže sredstva bijeljenja, mogu prouzročiti kratak spoj.

## PROPIISNA UPOTREBA

Ovaj uređaj za brušenje i poliranje je prikladan za brušenje i poliranje lakova, premaza, umjetnih materijala i drugih glatkih površina.

U nedoumici poštivati upute proizvođačapribora.

Električni alat je prikladan samo za suhu obradu.

## RADNE UPUTE

Uvijek primijeniti dodatnu ruku.

Radni predmet koji se obrađuje mora biti čvrsto stegnut, ako se ne drži svojom osobnom težinom. Radni predmet ne nikada voditi rukom prema teži.

## ODRŽAVANJE

Proreze za prozračivanje stroja uvijek držati čistima.

Primijeniti samo Milwaukee opremu i rezervne dijelove. Sastavne dijelove, čija zamjena nije opisana, dati zamijeniti kod jedne od Milwaukee servisnih službi (poštivati brošuru Garancija/Adrese servisa).

Po potrebi se može zatražiti crtež eksplozije aparata uz davanje podataka o tipu stroja i desetoznamenastog broja na pločici snage kod Vaše servisne službe ili direktno kod Technonic Industries GmbH, Max-Eyth-Straße 10, 71364 Winnenden, Germany.

## CE-IZJAVA KONFORMNOSTI

Izjavljujemo na osobnu odgovornost, da je proizvod opisan pod "Tehnički podaci", sukladan sa svim relevantnim propisima smjernice 2011/65/EU (RoHS), 2014/30/EU, 2006/42/EC i sa sljedećim harmoniziranim normativnim dokumentima:

EN 60745-1:2009+A11:2010  
EN 60745-2-3:2011 + A2:2013  
EN 55014-1:2006+A1:2009+A2:2011  
EN 55014-2:2015  
EN 50581:2012

Winnenden, 2017-11-30

  
Alexander Krug  
Managing Director



Ovlašten za formiranje tehničke dokumentacije.

Technonic Industries GmbH  
Max-Eyth-Straße 10  
71364 Winnenden  
Germany

## BATERIJE

Baterije koje duže vremena nisu korištene, prije upotrebe napuniti.

Temperatura od preko 50°C smanjuje učinak baterija. Duže zagrijavanje od strane sunca ili grijanja izbjeci.

Priključne kontakte na uređaju za punjenje i baterijama držati čistima.

Za optimalni vijek trajanja se akumulatori poslije upotrebe moraju sasvim napuniti.

Za što moguće duži vijek trajanja, akumulatori se nakon punjenja moraju odstraniti iz punjača.

Kod skladištenja akumulatora duže od 30 dana:

Akumulator skladištiti na suhom kod ca. 27°C.  
Akumulator skladištiti kod ca. 30%-50% stanja punjenja.  
Akumulator ponovno napuniti svakih 6 mjeseci.

## TRANSPORT LITIJSKIH IONSKIH BATERIJA

Litijske-ionske baterije spadaju pod zakonske odredbe u svezi transporta opasne robe.

Prijevoz ovih baterija mora uslijediti uz poštivanje lokalnih, nacionalnih i internacionalnih propisa i odredaba.

- Korisnici mogu bez ustručavanja ove baterije transportirati po cestama.
- Komercijalni transport litijsko-ionskih baterija od strane transportnih poduzeća spada pod odredbe o transportu opasne robe. Otpremničke pripreme i transport smiju izvoditi isključivo odgovarajuće školovane osobe. Kompletni proces se mora pratiti na stručan način.

Kod transporta baterija se moraju poštivati slijedeće točke:

- Uvjerite se da su kontakti zaštićeni i izolirani kako bi se izbjegli kratki spojevi.
- Pazite na to, da blok baterija unutar pakiranja ne može proklizavati.
- Oštećene ili iscurjele baterije se ne smiju transportirati.

U svezi ostalih uputa obratite se vašem prijevoznom poduzeću.

## SIMBOLI



PAŽNJA! UPOZORENIE!  
OPASNOST!



Prije svih radova na stroju izvaditi bateriju za zamjenu.



Molimo da pažljivo pročitate uputu o upotrebi prije puštanja u rad.



Kod radova na stroju uvijek nositi zaštitne naočale.



Nositi zaštitne rukavice!



Elektrouređaji, baterije/akumulatori se ne smiju zbrinjavati skupa sa kućnim smećem.  
Električni uređaji akumulatori se moraju skupljati odvojeno i predati na zbrinjavanje primjereno okolišu jednom od pogona za iskorišćavanje.  
Raspitajte se kod mjesnih vlasti ili kod stručnog trgovca u svezi gospodarstva za recikliranje i mjesta skupljanja.



Oznaka-CE

ØPmax = 76 mm

Maksimalna snaga poliranja

ØSmax = 51 mm

Maksimalna snaga brušenja



TR 066

Nacionalni znak konformnosti Ukrajina



EurAsian znak konformnosti.

## TEHNIŠKIE DATI

### Pulēšanas/ Slīpēšanas

	M12 BPS
Izlaides numurs	4477 93 03... ...000001-999999
Akumulātorā spriegums	12 V
Nominālais griešanās ātrums 1. ātrumā	0-2800 min <sup>-1</sup>
Nominālais griešanās ātrums 2. ātrumā	0-8300 min <sup>-1</sup>
Pulēšanas riteņu diametrs	76 mm
Slīpēšanas rīpas diametrs	51 mm
Vārpstas vijums	M9x0,75
Svars atbilstoši EPTA -Procedure 01/2003 (2,0 Ah)	1,0 kg
Svars atbilstoši EPTA -Procedure 01/2003 (4,0 Ah)	1,2 kg
<b>Trokšņu un vibrāciju informācija</b> Vērtības, kas noteiktas saskaņā ar EN 60 745. A novērtētās aparatūras skaņas līmenis ir: trokšņa spiediena līmenis (Nedrošība K=3dB(A)) trokšņa jaudas līmenis (Nedrošība K=3dB(A)) <b>Nēsāt trokšņa slāpētāju!</b> Svārstību kopējā vērtība (Trīs virzienu vektoru summtiek noteikta atbilstoši EN 60745. Pulēšana svārstību emisijas vērtība a <sub>h,P</sub> Nedrošība K Slīpēšana svārstību emisijas vērtība a <sub>h,DS</sub> Nedrošība K	68,24 dB(A) 79,20 dB(A)  2,95 m/s <sup>2</sup> 1,83 m/s <sup>2</sup>  2,3 m/s <sup>2</sup> 1,5 m/s <sup>2</sup>

## UZMANĪBU

Instrukcijā norādītā svārstību robežvērtība ir izmērīta mērījumu procesā, kas veikts atbilstoši standartam EN 60745, un to var izmantot elektroinstrumentu savstarpējai salīdzināšanai. Tā ir piemērota arī svārstību noslogojuma pagaidu izvērtēšanai.

Norādītā svārstību robežvērtība ir reprezentatīva elektroinstrumenta pamata pielietojuma jomām. Tomēr, ja elektroinstrumenti tiek pielietoti citās jomās, papildus izmantojot neatbilstošus elektroinstrumentus vai pēc nepietiekamas tehniskās apkopes, tad svārstību robežvērtība var atšķirties. Tas var ievērojami palielināt svārstību noslogojumu visa darba laikā.

Precīzai svārstību noslogojuma noteikšanai, ir jāņem vērā arī laiks, kad ierīces ir izslēgta vai arī ir ieslēgta, tomēr faktiski netiek lietota. Tas var ievērojami samazināt svārstību noslogojumu visa darba laikā.

Integrējiet papildus drošības pasākumus pret svārstību ietekmi lietotājam, piemēram: elektroinstrumentu un darba instrumentu tehniskā apkope, roku siltuma uzturēšana, darba procesu organizācija.

**▲ BRĪDINĀJUMS! Izlasiet visus drošības brīdinājumus un instrukcijas.** Šeit sniegto drošības noteikumu un norādījumu neievērošana var izraisīt aizdegšanos un būt par cēloni elektriskajam triecienam vai nopietnam savainojumam. **Pēc izlasīšanas uzglabājiet šos noteikumus turpmākai izmantošanai.**

## ▲ PULĒŠANAS/ SLĪPĒŠANAS MAŠĪNAS DROŠĪBAS NORĀDES

**Kopējie drošības noteikumi slīpēšanai ar smilšpapīra loksni un pulēšanai:**

**a) Šis elektroinstrumenti ir lietojams kas piemērota arī pulēšanai un slīpēšanai ar smilšpapīra loksni. Nemiet vērā visas elektroinstrumentam pievienotās instrukcijas, norādījumus, attēlus un citu informāciju.** Turpmāk sniegto norādījumu neievērošana var kļūt par cēloni elektriskajam triecienam, ugunsgrēkam un/vai smagam savainojumam.

**b) Šis elektriskais darbarīks nav piemērots slīpēšanai, darbam ar metāla birstēm un leņķa slīpmašīnām..** Šis ierīces izmantošana mērķiem, kuriem tā nav paredzēta, var to sabojāt.

**c) Neizmantojiet piederumus, kurus ražotājfirma nav paredzējusi šim elektroinstrumentam un ieteikusi lietošanai kopā ar to.** Iespēja nostiprināt piederumu uz elektroinstrumenta vēl negarantē tā drošu lietošanu.

**d) Iesaistāmā instrumenta pieļaujamajam apgriezienu skaitam jābūt vismaz tik augstam kā uz elektroinstru-**

**menta norādītajam maksimālajam apgriezienu skaitam.** Aprikojums, kurš rotē ātrāk par pieļaujamo ātrumu, var salūzt un tikt atņemts atpakaļ!

**e) Darba instrumenta ārējā diametram un biežumam ir jāatbilst Jūsu elektroinstrumenta norādītajiem izmēriem.** Nepareiza izmēra darba instrumentus nav iespējams pietiekami nosēgt vai kontrolēt.

**f) Piederuma vītnei ir jāatbilst slīpēšanas vārpstas vītnei. Ar atloku stiprināmo piederumu urbamam ir jāatbilst ATLOKA diametram.** Piederumi, kas nav piemēroti iekārtai, darbojas nevienmērīgi, pāmērīgi vibrē un var radīt situāciju, kad tiek zaudēta kontrole pār ierīci.

**g) Neizmantojiet bojātus darbinstrumentus. Ik reizi pirms darbinstrumentu lietošanas pārbaudiet, vai tie nav bojāti, piemēram, vai slīpēšanas diski nav atslāņojušies vai iekļāvušies, vai slīpēšanas pamatnē nav vērojamas plaisas un vai stieplu suku veidojošās stieples nav vaļīgas vai atlūzušas. Ja elektroinstrumenti vai darbinstrumenti ir kritis no zināma augstuma, pārbaudiet, vai tas nav bojāts, vai arī izmantojiet darbam nebojātu darbinstrumentu. Pēc darbinstrumenta apskates un iestiprināšanas ļaujiet elektroinstrumentam darboties ar maksimālo griešanās ātrumu vienu minūti ilgi, turot rotējošo darbinstrumentu drošā attālumā no sevis un citām tuvumā esošajām personām. Bojātie darbinstrumenti šādas pārbaudes laikā parasti salūst.**

**h) Lietojiet individuālos darba aizsardzības līdzekļus. Atkarībā no veicamā darba rakstura izvēlieties pilnu sejas aizsargu, noslēdzošās aizsargbrilles vai**

parastās aizsargbrilles. Lai aizsargātos no lidojošajām slīpēšanas darbinstrumenta un apstrādājamā materiāla daļiņām, pēc vajadzības lietojiet putekļu aizsargmasku, asu aizsargu un aizsargcimdus vai arī īpašu priekšautu. Lietotāja acis jāpasargā no lidojošajiem svešķermeņiem, kas dažkārt rodas darba gaitā. Putekļu aizsargmaskai vai respiratoram jāpasargā lietotāja elpošanas ceļi no putekļiem, kas veidojas darba laikā. Ilgstoši atrodoties stipra trokšņa iespaidā, var rasties paliekoši dzirdes traucējumi.

**i) Sekojiet, lai citas personas atrastos drošā attālumā no Jūsu darba zonas. Ikvienam, kurš ienāk darba zonā, jāvalkā individuālais aizsargaprīkojums.** Sagataves vai salūzušu darba instrumentu atlūzas var aizlidot tālāk un radīt savainojumus arī ārpus tiešās darba zonas.

**j) Lerīci turiet aiz izolētiem rokturiem, ja veicat darbus, kuros griešanas darbiem izmantojamais instruments var skart paslēptus elektrovadus.** Saskaņā ar "dzīvu" vadu var padarīt instrumenta ārējās metāla detaļas "dzīvas", un operators var saņemt elektrošoku.

**k) Nekad nenolieciet elektroinstrumentu malā, pirms nav pilnībā apstājies darba instruments.** Rotējošais darba instruments var saskarties ar pamatni, kā rezultātā Jūs varat zaudēt kontroli pār elektroinstrumentu.

**l) Nedarbiniet elektroinstrumentu laikā, kad tas tiek pārvietots.** Lietotāja apģērbs vai mati var nejauši nonākt saskarē ar rotējošu darbinstrumentu un iekerties tajā, izraisot darbinstrumenta saskaršanos ar lietotāja ķermeni.

**m) Regulāri tīriet elektroinstrumenta ventilācijas atveres.** Dzinēju ventilējošā gaisa plūsma ievēl putekļu instrumenta korpusā, bēd liela metāla putekļu daudzuma uzkrāšanās var būt par cēloni elektrotraumai.

**n) Nelietojiet elektroinstrumentu uzliesmojošu materiālu tuvumā.** Šos materiālus var aizdedzināt dzirksteles.

**o) Neizmantojiet darba instrumentus, kuru dzesēšanai ir nepieciešami šķidrī dzesēšanas līdzekļi.** Ūdens vai citu šķidru dzesēšanas līdzekļu izmantošana var izraisīt elektriskās strāvas triecienu.

#### Atsitiens un ar to saistītie norādījumi

Atsitiens ir specifiska instrumenta reakcija, pēkšņi iekeroties vai iestrēgstot rotējošam darbinstrumentam, piemēram, slīpēšanas diskam, slīpēšanas pamatnei, stieplu sukai u. t. t. Rotējoša darbinstrumenta iekersāns vai iestrēgšana izraisa tā pēkšņu apstāšanos. Tā rezultātā elektroinstrumenta kustības virzienam iestrēguma vietā, un nereti kļūst nevadāms.

Ja, piemēram, slīpēšanas disks iekeras vai iestrēgst apstrādājamajā priekšmetā, tajā iegremdētā diska mala var izrauties no apstrādājamā materiāla vai izraisīt atsitienu. Šādā gadījumā slīpēšanas disks pārvietojas lietotāja virzienā vai arī prom no viņa, atkarībā no diska rotācijas virziena attiecībā pret apstrādājamo priekšmetu, Turklāt slīpēšanas disks var salūzt.

Atsitiens ir sekas elektroinstrumenta nepareizai vai neprasēmīgai lietošanai. No tā var izvairīties, ievērojot zināmus piesardzības pasākumus, kas aprakstīti turpmākajā izklāstā.

**a) Stingri turiet elektroinstrumentu un ienemiet tādu ķermeņa un roku stāvokli, kas vislabāk ļautu pretoties atsitienu spēkam.** Vienmēr izmantojiet papildrokturi, kas ļauj optimāli kompensēt atsitienu vai reaktīvo griezes momentu un saglabāt kontroli pār instrumentu. Veicot zināmus piesardzības pasākumus, lietotājs jebkurā situācijā spēj efektīvi pretoties atsitienu un reaktīvajam griezes momentam.

**b) Netuviniet rokas rotējošam darbinstrumentam.** Atsitienu gadījumā darbinstruments var skart ar lietotāja roku.

**c) Izvairieties atrasties vietā, kurp varētu pārvietoties elektroinstrumenta atsitienu brīdī.** Atsitienu brīdī elektroinstrumenta pārvietojas virzienā, kas pretējs darbinstrumenta kustības virzienam iestrēguma vietā.

**d) Ievērojiet īpašu piesardzību, strādājot stūru un asu malu tuvumā. Nepieļaujiet, lai darbinstruments atlektu no apstrādājamā priekšmeta vai iestrēgtu tajā.** Saskaņoties ar stūriem vai asām malām rotējošais darbinstruments izliecas un atlec no apstrādājamā priekšmeta vai iestrēgst tajā. Tas var būt par cēloni kontroles zaudēšanai pār instrumentu vai atsitienu.

**e) Neizmantojiet ķēdes vai zobu ripzāģi.** Šādi darba instrumenti bieži izraisa atsitienu vai kontroles zaudēšanu pār elektroinstrumentu.

#### Īpašie drošības noteikumi, veicot pulēšanu

**a) Neatstājiet nenostiprinātas pulējošā uzliktna daļas, īpaši tā stiprinošās atsaites. Aptiniet un sasieniet vai sausiniet stiprinošās atsaites.** Nenostiprinātas, kopā ar uzliktni rotējošas stiprinošās atsaites var skart lietotāja rokas un apģīties ap pirkstiem vai iekerties apstrādājamajā priekšmetā.

#### Īpašie drošības noteikumi, veicot slīpēšanu ar smilšpapīra loksni

**a) Neizmantojiet lielāka izmēra slīploknes, izvēlieties darbam slīploknes ar izmēriem, ko norādījusi ražotājsfirma.** Ja slīplokne sniedzas pāri slīpēšanas pamatnes malām, tas var būt par cēloni savainojumam, izsaukt slīploknes iestrēgšanu vai plīšanu, kā arī izraisīt atsitienu.

#### Citas drošības un darba instrukcijas

Slīpējot metālu, rodas dzirkstes. Vajag uzmanīties, lai netiktu apdraudētas personas. Sakarā ar ugunsgrēka draudiem, tuvumā (dzirkstēju tuvumā) nedrīkst atrasties viegli degošas vielas vai priekšmeti. Nedrīkst izmantot putekļu sūcēju.

Izvairieties, lai dzirksteles un slīpēšanas putekļi nekrt uz galvas.

Nedrīkst likt rokas tuvumā ieslēgtajam motoram!

Ja parādās stipras svārstības vai citi defekti, mašīnu vajag nekavējoties izslēgt. Mašīnu vajag nekavējoties pārbaudīt, lai noteiktu traucējumu cēloņus.

Skaidas un atlūzas nedrīkst ņemt ārā, kamēr mašīna darbojas.

Izmantotos akumolārus nedrīkst mest ugunī vai parastajos atkritumos. Firma Milwaukee piedāvā iespēju vecos akumolārus savākt apkārtejo vidi saudzējošā veidā; jautājiet specializētā veikalā.

Akumolātorus nav ieteicams glabāt kopā ar metāla priekšmetiem (iespējams Tsslēgums).

C12 sistēmas akumolātorus lādēt tikai ar C12 sistēmas lādētājiem. Nedrīkst lādēt citus akumolātorus no citām sistēmām.

Akumolātorus un lādētājus nedrīkst taisīt vaļā un tie jāuzglabā sausās telpās.

Pie ārkārtas slodzes un ārkārtas temperatūrām no bojātā akumolātorā var iztect akumolātorā šķidrums. Ja nohākat saskarsmē ar akumolātorā šķidrumu, saskarsmes vieta nekavējoties jānomazgā ar ūdeni un ziepēm. Ja šķidrums nonācis acīs, acis vismaz 10 min. skalot un nekavējoties konsultēties ar ārstu.

**Brīdinājums!** Lai novērstu Tssavienojuma izraisītu aizdegšanās, savainojumu vai produkta bojājuma risku, neiegremdējiet instrumentu, mainīno akumolatoru vai uzlādes ierīci šķidrumos un rūpējieties par to, lai ierīcēs un akumolatoros neiekļūtu šķidrums. Koroziju izraisoši vai vadītspējīgi šķidrumi, piemēram, sālsūdens, noteiktas ķīmikālijas, balinātāji vai produkti, kas satur balinātājus, var izraisīt Tssavienojumu.

#### NOTEIKUMIEM ATBILSTOŠS IZMANTOJUMS

Slīpējamā un pulējamā ierīce ir paredzēta metāla virsmu slīpēšanai un pulēšanai. Pulēšanas ierīci var izmantot laku, pārklājumu, plastmasu un citu gludu virsmu pulēšanai.

Visos gadījumos ievērojiet ražotāja noteiktosdrošības noteikumus.

Elektriskais instruments ir paredzēts tikai sausai apstrādei.

#### DARBA NORĀDĪJUMI

Vienmēr vajag izmantot papildus rokturi.

Apstrādājamā detaļa, ja to netur pašsvars, ir stingri jānostiprina. Nekādā gadījumā apstrādājamo detaļu nedrīkst spiest pie diska ar roku.

#### APKOPE

Vajag vienmēr uzmanīt, lai būtu tīras dzesēšanas atveres.

Izmantojiet tikai firmu Milwaukee piederumus un firmas rezerves daļas. Lieciet nomainīt detaļas, kuru nomaīna nav aprakstīta, kādā no firmu Milwaukee klientu apkalpošanas servisiem. (Skat. brošūru "Garantija/klientu apkalpošanas serviss".)

Ja nepieciešams, klientu apkalpošanas servisā vai tieši pie firmas Techtronic Industries GmbH, Max-Eyth-Straße 10, 71364 Winnenden, Germany, var pieprasīt instrumenta numurs, kas norādīts uz jaudas paneļa.

#### ATBILSTĪBA CE NORMĀM

Mēs apliecinām, ka produkts, kura tehniskie parametri aprakstīti "tehnisko datu lapā", pilnībā atbilst prasībām saskaņā ar direktīvām 2011/65/EU (RoHS), 2014/30/ES, 2006/42/EK un attiecīgajiem harmonizētajiem normatīvajiem dokumentiem:

EN 60745-1:2009+A11:2010  
EN 60745-2-3:2011 + A2:2013  
EN 55014-1:2006+A1:2009+A2:2011  
EN 55014-2:2015  
EN 50581:2012

Winnenden, 2017-11-30

*Alexander Krug*

Alexander Krug  
Managing Director  
Pilnvarotais tehniskās dokumentācijas sastādītājs.

Techtronic Industries GmbH  
Max-Eyth-Straße 10  
71364 Winnenden  
Germany

#### AKUMULĀTORI

Akumolātori, kas ilgāku laiku nav izmantoti, pirms lietošanas jāuzlādē.

Pie temperatūras, kas pārsniedz 50°C, akumolātoru darbība tiek negatīvi ietekmēta. Vajag izvairīties no ilgākas saules un karstuma iedarbības.

Lādētāja un akumolātoru pievienojuma kontakti jāuztur tīri.

Lai baterijas darba ilgums būtu optimāls, pēc iekārtas izmantošanas tā jāuzlādē.

Lai akumolatori kalpotu pēc iespējas ilgāku laiku, tos pēc uzlādes ieteicams atvienot no lādētāj ierīces.

Akumolatora uzglabāšana ilgāk kā 30 dienas: uzglabāt akumolatoru pie aptuveni 27°C un sausā vietā. Uzglabāt akumolatoru uzlādes stāvoklī aptuveni pie 30%-50%. Uzlādēt akumolatoru visus 6 mēnešus no jauna.

#### LITĪJA JONU AKUMULĀTORU TRANSPORTĒŠANA

Uz litija jonu akumolatoriem attiecas noteikumi par bīstamo kravu pārvadāšanu.

Šo akumolatoru transportēšana jāveic saskaņā ar vietējiem, valsts un starptautiskajiem normatīvajiem aktiem un noteikumiem.

• Patērētāja darbības, pārvadājot šos akumolatorus pa autoceļiem, nav reglamentētas.

• Uz litija jonu akumolatoru komerciālu transportēšanu, ko veic ekspedīcijas uzņēmums, attiecas bīstamo kravu pārvadāšanas noteikumi. Sagatavošanas darbus un transportēšanu drīkst veikt tikai atbilstoši apmācīts personāls. Viss process jāvada profesionāli.

Veicot akumolatoru transportēšanu, jāievēro:

- Pārliecinieties, ka kontakti ir aizsargāti un izolēti, lai izvairītos no Tssavienojumiem.
- Pārliecinieties, ka akumolatorus iepakojumā nevar paslīdēt.
- Bojātus vai tekošus akumolatorus nedrīkst transportēt.

Plašāku informāciju Jūs varat saņemt no ekspedīcijas uzņēmuma.

#### SIMBOLI



UZMANĪBU! BĪSTAMI!



Pirms mašīnai veikt jebkāda veida apkopes darbus, ir jāizņem ārā akumolātors.



Pirms sākt lietot instrumentu, lūdzu, izlasiet lietošanas pamācību.



Strādājot ar mašīnu, vienmēr jānēsā aizsargbrilles.



Jāvalkā aizsargcimdi!



Elektriskos aparātus, baterijas/akumolatorus nedrīkst utilizēt kopā ar mājsaimecības atkritumiem.

Elektriski aparāti un akumolatori ir jāsavāc atsevišķi un jānodod atkritumu pārstrādes uzņēmumā videi saudzīgai utilizācijai. Jautājiet vietējā iestādē vai savam specializētajam tirgotājam, kur atrodas atkritumu pārstrādes uzņēmumi vai savākšanas punkti.



CE marķējums



Augstākā pulēšanas veiktspēja



Augstākā slīpēšanas veiktspēja



Ukrainas nacionālais atbilstības simbols



EurAsian atbilstības marķējums.



TECHNINIAI DUOMENYS	M12 BPS
<b>Poliravimo / Šlifavimo</b> Produkto numeris	4477 93 03... ...000001-999999
Keičiamo akumulatoriaus įtampa	12 V
Nominalus sūkių skaičius 1. pavara	0-2800 min <sup>-1</sup>
Nominalus sūkių skaičius 2. pavara	0-8300 min <sup>-1</sup>
Poliravimo diskai skersmuo	76 mm
Šlifavimo disko skersmuo	51 mm
Suklio sriegis	M9x0,75
Prietaiso svoris įvertintas pagal EPTA 2003/01 tyrimų metodiką (2,0 Ah)	1,0 kg
Prietaiso svoris įvertintas pagal EPTA 2003/01 tyrimų metodiką (4,0 Ah)	1,2 kg
<b>Informacija apie triukšmą/vibraciją</b> Vertės matuotos pagal EN 60 745. Įvertintas A įrenginio keliamo triukšmo lygis dažniausiai sudaro: Garso slėgio lygis (Paklaida K=3dB(A)) Garso galios lygis (Paklaida K=3dB(A))	68,24 dB(A) 79,20 dB(A)
<b>Nešioti klausos apsauginės priemonės!</b> Bendroji svyravimų reikšmė (trijų krypčių vektorių suma), nustatyta remiantis EN 60745. Poliravimas Vibravimų emisijos reikšmė a <sub>h,p</sub> Paklaida K	2,95 m/s <sup>2</sup> 1,83 m/s <sup>2</sup>
Švitrinis šlifavimo popierius Vibravimų emisijos reikšmė a <sub>h,ds</sub> Paklaida K	2,3 m/s <sup>2</sup> 1,5 m/s <sup>2</sup>

## DĖMESIO

Instrukcijoje nurodyta svyravimų ribinė vertė yra išmatuota remiantis standartu EN 60745; ji gali būti naudojama keliems elektriniams instrumentams palyginti. Ji taikoma ir laikinai įvertinti svyravimų aprova.

Nurodyta svyravimų ribinė vertė yra taikoma pagrindinėse elektrinio instrumento naudojimo srityse. Svyravimų ribinė vertė gali skirtis naudojant elektrinį instrumentą kitose srityse, papildomai naudojant netinkamus elektrinius instrumentus arba juos nepakankamai techniškai prižiūrint. Dėl to viso darbo metu gali žymiai padidėti svyravimų aprova.

Siekiant tiksliai nustatyti svyravimų aprova, būtina atsižvelgti ir į laikotarpį, kai įrenginys yra išjungtas arba įjungtas, tačiau faktiškai nenaudojamas. Dėl to viso darbo metu gali žymiai sumažėti svyravimų aprova.

Siekiant apsaugoti vartotojus nuo svyravimo įtakos naudojamos papildomos saugos priemonės, pavyzdžiui, elektrinių darbo instrumentų techninė priežiūra, rankų šilumos palaikymas, darbo procesų organizavimas.

**⚠️ ĮSPĖJIMASI** Perskaitykite visus saugos nurodymus ir instrukcijas. Jei nepaisysite žemiau pateiktų saugos nuorodų ir reikalavimų, gali trenkti elektros smūgis, kilti gaisras ir/arba galite sunkiai sužaloti arba sužaloti kitus asmenis.

**Išsaugokite šias saugos nuorodas ir reikalavimus, kad ir ateityje galėtumėte jais pasinaudoti.**

## ⚠️ POLIRAVIMO / ŠLIFAVIMO STAKLIŲ SAUGOS NURODYMAI

Bendros įspėjamosios kurių būtina laikytis šlifuojant ir poliruojant:

**a) Šį elektrinį prietaisą galima naudoti kaip skirtą poliravimo mašiną ir šlifuoti abrazyviniais diskais. Griežtai laikykitės visų įspėjamųjų nuorodų, taisyklių, ženklų ir užrašų, kurie yra pateikiami su šiuo prietaisu, reikalavimų.** Jei nepaisysite toliau pateiktų nuorodų, gali kilti elektros smūgio, gaisro ir /arba sunkių sužalojimų pavojus.

**b) Šis elektrinis įrankis nėra skirtas pjovimas ir rupusis šlifavimas, dirbant su vieliniais šepetiais.** Jei įrankį naudojate ne pagal paskirtį, galite sukelti pavojų ir sužaloti.

**c) Nenaudokite jokių priedų ir papildomos įrangos, kurių gamintojas nėra specialiai numatęs ir rekomavęs šiam elektriniam prietaisui.** Vien tik tas faktas, kad Jūs galite pritvirtinti kokį nors priedą prie elektrinio prietaiso, jokiū būdu negarantuoja, kad juo bus saugu naudotis.

**d) Panaudojamų dalių leistinas apsisukimų skaičius turi būti mažiausiai tokio dydžio, koks yra nurodytas didžiausias apsisukimų skaičius ant elektros prietaiso.** Dalys, kurios sukasi greičiau negu yra leistina, gali sulūžti ir kristi į šalį.

**e) Uždedama įrankio išorinis skersmuo ir storis turi atitikti Jūsų elektrinio įrankio parametrus.** Blogai išmatuotų įstatomų darbinį įrankių negalima tinkamai uždengti ar valdyti.

**f) Priedų sriegiai privalo atitikti šlifavimo suklio sriegius. Priedų, kurie montuojami panaudojant jungę, anga privalo atitikti JUNGES skersmenį.** Netinkantys prietaiso priedai juda netolygiai, stipriai vibruoja, ir ir jūs galite nesuvaldyti prietaiso.

**g) Nenaudokite pažeistų darbo įrankių. Prieš kiekvieną naudojimą patikrinkite darbo įrankius, pvz., šlifavimo diskus – ar jie nėra aplūžinėję ir įtrūkę, šlifavimo žiedus – ar jie nėra įtrūkę, susidėvėję ir labai nudilę, vielinius šepetčius – ar jų vielutės nėra atsilaisvinusios ar nutrukusios. Jei elektrinis prietaisas ar darbo įrankis nukrito iš didesnio aukščio, patikrinkite, ar jis nėra pažeistas, arba naudokite kitą, nepažeistą, darbo įrankį. Patikrinę ir sumontavę darbo įrankį pasirūpinkite, kad nei Jūs, nei greta esantys asmenys nebūtų besisukančio darbo įrankio plokštumoje, ir leiskite elektriniam prietaisui vieną minutę veikti didžiausiu sūkių skaičiumi. Jei darbo įrankis pažeistas, per šį bandomąjį laiką jis turėtų subyrėti.**

**h) Dirbkite su asmeninėmis apsaugos priemonėmis. Atitinkamai pagal atliekamą darbą užsidėkite viso veido apsaugos priemonės, akių apsaugos priemonės ar apsauginius akinius. Jei nurodyta, užsidėkite apsauginį respiratorių nuo dulkių, klausos apsaugos priemonės, apsaugines pirštines ir specialią prijuostę, kuri apsaugos Jus nuo smulkių šlifavimo ir ruošinio dalelių.** Akys turi būti apsaugotos nuo aplink lekiančių svetimkūnių, atsirandančių atliekant įvairius darbus. Respiratorius arba apsauginė kaukė turi išfiltruoti darbo metu kylančias dulkes. Dėl ilgalaikio ir stipraus triukšmo poveikio galite prarasti klausą.

**i) Sekite, kad kiti asmenys nuo Jūsų darbo zonos būtų per saugų atstuma. Kiekvienas įžengiantis į Jūsų darbo zoną asmuo privalo nešioti asmenines saugos priemones.** Ruošinio ar darbinio įrankio nuolaužas gali nuskrieti ir sužaloti asmenis taip pat už tiesioginės darbo zonos ribų.

**j) Dirbdami laikykite prietaisą už izoliuotų vietų, kuriose pjovimo įrenginys pats galėtų liesti paslėptus laidus.** Dėl kontakto su laidu, kuriuo teka elektra, elektra taip pat gali imti tekėti atviroomis metalinėmis elektrinio įrankio dalimis ir nukrėsti operatorių.

**k) Niekada nepadėkite elektrinio įrankio tol, kol darbo įrankis visiškai nusustos.** Besisukantis įrankis gali prisiliesti prie paviršiaus, ant kurio jis dedamas, tada galite nesuvaldyti elektrinio įrankio.

**l) Nešdami prietaisą jo niekada neįjunkite.** Netyčia prisilietus prie besisukančio darbo įrankio, jis gali įtraukti drabužius ir Jus užėsti.

**m)Reguliariai valykite elektrinio prietaiso ventiliacines angas.** Varkilio ventiliatorius traukia dulkes į korpusą, ir susikaupus daug metalo dulkių gali kilti elektros smūgio pavojus.

**n) Elektrinį įrankį draudžiama naudoti arti degių medžiagų.** Nuo kibirkščių šios medžiagos gali užsiliepsnoti.

**o) Nenaudokite darbinį įrankių, kuriems reikalingas aušinimas skysčiu.** Naudodami vandenį arba kitas skystas aušinimo medžiagas galite gauti elektros smūgi.

## Atatranka ir atitinkamos įspėjamosios nuorodos

Atatranka yra staigi reakcija, atsirandanti, kai besisukantis darbo įrankis, pvz., šlifavimo diskas, šlifavimo žiedas, vielinis šepetys ar kt., ruošinyje įstringa ar užsiblokuoja ir todėl netikėtai sustoja. Todėl elektrinis prietaisas gali nekontroliuojamai atšokti nuo ruošinio priešinga darbo įrankio sukimuisi kryptimi.

Pvz., jei ruošinyje įstringa ar yra užblokuojamas šlifavimo diskas, disko briauna, kuri yra ruošinyje, gali išlūžti ar sukelti atatranką. Tada šlifavimo diskas, priklausomai nuo jo sukimosi krypties blokavimo vietoje, pradeda judėti link dirbančiojo arba nuo jo. Tada šlifavimo diskas gali net nulūžti.

Atatranka yra netinkamo elektrinio prietaiso naudojimo ar gedimo pasekmė. Jos galite išvengti, jei imsitės atitinkamų, žemiau aprašytų priemonių.

**a) Dirbdami visada tvirtai laikykite prietaisą abiem rankom ir stenkitės išlaikyti tokią kūno ir rankų padėtį, kurioje sugebėtumėte atsispirti prietaiso pasipriešinimo jėgai atatrankos metu. Jei yra papildoma rankena, visada ją naudokite, tada galėsite suvaldyti atatrankos jėgas bei reakcijos jėgų momentą.** Dirbantysis, jei imsis tinkamų saugos priemonių, gali suvaldyti reakcijos jėgas atatrankos metu.

**b) Niekada nelaikykite įrankį arti besisukančio darbo įrankio.** Įvykus atatrankai įrankis gali pataikyti į Jūsų ranką.

**c) Venkite, kad Jūsų rankos būtų toje zonoje, kurioje įvykus atatrankai judės elektrinis prietaisas.** Atatrankos jėga verčia elektrinį prietaisą judėti nuo blokavimo vietos priešinga šlifavimo disko sukimuisi kryptimi.

**d) Ypač atsargiai dirbkite kamposė, ties aštriomis briaunomis ir t. t. Saugokite, kad darbo įrankis neatsimuštų į kliūtis ir neįstrigtų.** Besisukantis darbo

įrankis kamposė, ties aštriomis briaunomis arba atsimušęs į kliūtį turi tendenciją užstrigti. Tada prietaisas tampa nevaldomas arba įvyksta atatranka.

**e) Draudžiama naudoti pjovimo grandinės arba dantytus pjūklelius.** Šie darbiniai įrankiai dažnai sukelia atatranką arba su jais prarandama elektrinio įrankio kontrolė.

## Specialios saugos nuorodos poliruojant

**a) Nepalikite jokių laidų poliravimo gaubtės dalių, ypač tvirtinimo raiščių. Suvyniokite arba sutrupinkite tvirtinimo raiščius. Atsilaisvinę, kartu besisukantys tvirtinimo raiščiai gali apsvinoti aplink Jūsų pirštus ar užsikabinti už ruošinio.**

## Specialios įspėjamosios nuorodos atliekantiems šlifavimo naudojant šlifavimo popierių darbus

**a) Nenaudokite per didelių matmenų šlifavimo popieriaus, laikykitės gamintojų pateiktų šlifavimo popieriaus matmenų.** Už šlifavimo žiedo kyšantis šlifavimo popierius gali sužaloti, užblokuoti, šlifavimo popierius gali įplyšti ar įvykti atatranka.

## Kiti saugumo ir darbo nuorodymai

Šlifuojant metalus lekia kibirkštys. Atkreipkite dėmesį, kad nesukeltumėte pavojaus kitiems asmenims. Dėl gaisro pavojaus arti (kibirkščių lėkimo srityje) neturi būti jokių degių medžiagų. Nenaudokite dulkių nusiurbimo.

Venkite kūno kontakto su skriejančiomis kibirkštimis ir šlifuojant susidarančiomis dulkėmis.

Nekiškite rankos į judančių peilių pavojaus zoną!

Prietaisą tuoj pat išjunkite, jei atsiranda stiprus virpesiai arba kiti trūkumai. Patikrinkite įrenginį ir nustatykite priežastį.

Draudžiama išiminėti drožles ar nuopjovas, įrenginiui veikiant.

Sunaudotų keičiamų akumuliatorių nedeginkite ir nemeskite į buitines atliekas. „Milwaukee“ siūlo tausojantį aplinką sudėvėtų keičiamų akumuliatorių tvarkymą, apie tai prekyboje atstovo.

Keičiamų akumuliatorių nelaikykite kartu su metaliniais daiktais (trumpojo jungimo pavojus).

Keičiamus C12 sistemos akumulatorius kraukite tik „C18“ sistemos įkrovikliais. Nekraukite kitų sistemų akumuliatorių.

Keičiamų akumuliatorių ir įkroviklių nelaikykite atvirai. Laikykite tik sausoje vietoje. Saugokite nuo drėgmės.

Ekstremalių apkrovų arba ekstremalios temperatūros poveikyje iš keičiamų akumuliatorių gali ištekėti akumuliatoriaus skystis. Išsitempus akumuliatoriaus skysčiu, tuoj pat nuplaukite vandeniu su muilu. Patekus į akis, tuoj pat ne trumpiau kaip 10 minučių gausiai skalaukite vandeniu ir tuoj pat kreipkitės į gydytoją.

**Įspėjimas!** Siekdami išvengti trumpojo jungimo sukeliama gaisro pavojaus, sužalojimų arba produkto pažeidimų, nekiškite įrankio, keičiamo akumulatoriaus arba įkroviklio į skysčius ir pasirūpinkite, kad į prietaisus arba akumulatorius nepatektų jokių skysčių. Koroziją sukeliantys arba laidūs skysčiai, pvz., sūrus vanduo, tam tikri chemikalai ir balikliai arba produktai, kurių sudėtyje yra baliklių, gali sukelti trumpąjį jungimą.

## NAUDOJIMAS PAGAL PASKIRTĮ

Šlifavimo ir poliravimo prietaisas yra skirtas šlifuoti ir poliruoti lakų, dangų, plastikų ir kitų lygių paviršių poliravimui.

Kilus abejonėms, atkreipkite dėmesį į priemonių gamintojų nurodymus.

Elektrinį įrankį galima naudoti tik sausoje aplinkoje.

## DARBO NUORODOS

Visada naudokite papildomą rankeną.

Apdorojama detalė, jei ji nesilaiko savo svorio, visada turi būti įtvirtinta. Niekada detalių prie disko neveskite ranka.

## TECHNINIS APTARNAVIMAS

Įrenginio vėdinimo angos visada turi būti švarios. Naudokite tik Milwaukee priedus ir atsargines dalis. Dalis, kurių keitimas neaprašytas, leidžiama keisti tik Milwaukee klientų aptarnavimo skyriams (žr. garantiją/klientų aptarnavimo skyrių adresus brošiūroje).

Jei reikia, nurodant įrenginio tipą bei specifikacijų lentelėje esantį numerį, iš klientų aptarnavimo skyriaus arba tiesiai iš Techtronic Industries GmbH, Max-Eyth-Straße 10, 71364 Winnenden, Germany, galima užsisakyti prietaiso surinkimo brėžinius.

## CE ATITIKTIES PAREIŠKIMAS

Remiantis bendrais atsakomybės reikalavimais pareiškiamu, jog skyriuje "Techniniai duomenys" aprašytas produktas atitinka visus toliau pateiktą juridinių direktyvų reikalavimus: 2011/65/EU (RoHS), 2014/30/ES, 2006/42/EB ir kitus su jomis susijusius norminius dokumentus:

EN 60745-1:2009+A11:2010  
EN 60745-2-3:2011 + A2:2013  
EN 55014-1:2006+A1:2009+A2:2011  
EN 55014-2:2015  
EN 50581:2012

Winnenden, 2017-11-30

  
Alexander Krug  
Managing Director



Įgaliojtas parengti techninius dokumentus.

Techtronic Industries GmbH  
Max-Eyth-Straße 10  
71364 Winnenden  
Germany

## AKUMULIATORIAI

Ilgesnį laiką nenaudotus keičiamus akumulatorius prieš naudojimą įkraukite.

Aukštesnė nei 50 °C temperatūra mažina keičiamų akumuliatorių galią. Venkite ilgesnio saulės ar šilumos šaltinių poveikio.

Įkroviklio ir keičiamo akumulatoriaus jungiamieji kontaktai visada turi būti švarūs.

Kad prietaisas kuo ilgiau veiktų, pasinaudoję juo, iki galo įkraukite akumulatorius.

Siekiant užtikrinti kuo ilgesnį baterijos tarnavimo laiką, reikėtų ją po atlikto įkrovimo iškart išimti iš įkroviklio.

Bateriją laikant ilgiau nei 30 dienų, būtina atkreipti dėmesį į šias nuorodas: bateriją laikyti sausoje aplinkoje, esant apie 27 °C temperatūrai. Baterijos įkrovimo lygis turi būti nuo 30% iki 50%. Baterija pakartotinai turi būti įkraunama kas 6 mėnesius.

## LIČIO JONŲ AKUMULIATORIŲ PERVEŽIMAS

Ličio jonų akumuliatoriams taikomos įstatyminės nuostatos dėl pavojingų krovinių pervežimų.

Šiuos akumulatorius pervežti būtina laikantis vietinių, nacionalinių ir tarptautinių direktyvų ir nuostatų.

- Naudotojai šiuos akumulatorius gali naudoti savo transporte be jokių kitų sąlygų.
- Už komercinį ličio jonų akumuliatorių pervežimą atsako ekspedicijos įmonė pagal nuostatas dėl pavojingų krovinių pervežimo. Pasiruošimo išsiųsti ir pervežimo darbus gali atlikti tik atitinkamai išmokyti asmenys. Visas procesas privalo būti prižiūrimas.

Pervežant akumulatorius būtina laikytis šių punktų:

- Siekiant išvengti trumpųjų jungimų, įsitikinkite, kad kontaktai yra apsaugoti ir izoliuoti.
- Atkreipkite dėmesį, kad akumulatorius pakuotės viduje neslidinėtų.
- Draudžiama pervežti pažeistus arba tekančius akumulatorius.

Dėl detalesnių nurodymų kreipkitės į savo ekspedicijos įmonę.

## SIMBOLIAI



DĖMESIO! ĮSPĖJIMAS! PAVOJUS!



Prieš atlikdami bet kokius darbus įrenginyje, išimkite keičiamą akumulatorių.



Prieš pradėdami dirbti su prietaisu, atidžiai perskaitykite jo naudojimo instrukciją.



Dirbdami su įrenginiu visada nešiokite apsauginius akinius.



Lietojiet aizsardzības cimdus!



Elektros prietaisų, baterijų/akumuliatorių šalinti kartu su buitiniams atliekomis negalima.

Elektros prietaisus ir akumulatorius reikia surinkti atskirai ir atiduoti perdirbimo įmonei, kad būtų pašalinti aplinkai saugiu būdu.

Vietos valdžios institucijose arba specializuotose prekybos vietose pasidomėkite apie perdirbimo ir surinkimo centrus.



CE ženklas

ØPmax = 76 mm

Maks. poliravimo galia

ØSmax = 51 mm

Maks. šlifavimo galia



Nacionalinė atitikties žyma Ukrainoje



„EurAsian“ atitikties ženklas.

TEHNILISED ANDMED	M12 BPS
<b>Poleer-/Lihvmasina</b>	
Tooimnumber	4477 93 03... ...000001-999999
Vahetatava aku pinge	12 V
Nimipöörded 1. käigul	0-2800 min <sup>-1</sup>
Nimipöörded 2. käigul	0-8300 min <sup>-1</sup>
Poleerkettad läbimõõt	76 mm
Lihvketta läbimõõt	51 mm
Spindlikeere	M9x0,75
Kaal vastavalt EPTA-protseduurile 01/2003 (2,0 Ah)	1,0 kg
Kaal vastavalt EPTA-protseduurile 01/2003 (4,0 Ah)	1,2 kg
<b>Müra/vibratsiooni andmed</b>	
Mõõteväärtused on kindlaks tehtud vastavalt normile EN 60 745. Seadme tüüpiline hinnanguline (A) müratase:	
Helirõhutase (Määramatus K=3dB(A))	68,24 dB(A)
Helivõimsuse tase (Määramatus K=3dB(A))	79,20 dB(A)
<b>Kandke kaitseks kõrvaklappe!</b>	
Vibratsiooni koguväärtus (kolme suuna vektorsummmõõdetud EN 60745 järgi.	
Poleerimine	
Vibratsiooni emissiooni väärtus a <sub>h,p</sub>	2,95 m/s <sup>2</sup>
Määramatus K	1,83 m/s <sup>2</sup>
Lihvimine	
Vibratsiooni emissiooni väärtus a <sub>h,ds</sub>	2,3 m/s <sup>2</sup>
Määramatus K	1,5 m/s <sup>2</sup>

## TÄHELEPANU

Antud juhendis toodud vönketase on mõõdetud EN 60745 standardile vastava mõõtesüsteemiga ning seda võib kasutada erinevate elektriseadmete omavahelises võrdlemises. Antud näitaja sobib ka esmaseks vönkekoormuse hindamiseks.

Antud vönketase kehtib elektriseadme kasutamisel sihtotstarbeliselt. Kui elektriseadet kasutatakse muudel otstarvetel, muude tööriistadega või seda ei hooldata piisavalt võib vönketase siintoodust erineda. Eeltoodu võib vönketaset märkimisväärselt tõsta terves töökeskkonnas.

Vönketaseme täpseks hindamiseks tuleks arvestada ka aega, mil seade on välja lülitatud või on küll sisse lülitatud, kuid ei ole otseselt kasutuses. See võib märgatavalt vähendada kogu töökeskkonna vönketaset.

Rakendage spetsiaalseid ettevaatusabinõusid töötajate suhtes, kes puutuvad töö käigus palju kokku vibratsiooniga. Nendeks abinõudeks võivad olla, näiteks: elektri- ja tööseadmete korraline hooldus, käte soojendamine, töövoo parem organiseerimine.

## ⚠️ HOIATUS! Lugege kõiki ohutusjuhiseid ja korraldusi.

Ohutusnõuete ja juhiste eiramise tagajärjeks võib olla elektrilöök, tulekahju ja/või rasked vigastused.

**Hoidke kõik ohutusnõuded ja juhised edasiseks kasutamiseks hoolikalt alles.**

## ⚠️ POLEER-/LIHVMAŠINA OHUTUSJUHISED

**Ūhised ohutusjuhised liivapaberiga lihvimiseks ja poleerimiseks:**

**a) Käesolev elektriline tööriist on ette nähtud poleerimiseks ja liivapaberiga lihvimiseks. Järgige kõiki tööriistaga kaasasolevaid hoiatusi, juhiseid, jooniseid ja tehnilisi andmeid. Järgnevalt toodud juhiste eiramise tagajärjeks võib olla elektrilöök, tulekahju ja/või rasked vigastused.**

**b) See elektritööriist ei ole mõeldud löikamine ja jäme-lihvimine ja traatharjaga. Seadme kasutamine mitteet-tenähtud otstarbel võib põhjustada kahjustusi ja vigastusi.**

**c) Ärge kasutage tarvikuid, mida ei ole tootja selle elektrilise tööriista jaoks ette näinud ega soovitanud. Asjaolu, et saate tarvikuid oma seadme külge kinnitada, ei taga veel seadme ohutut tööd.**

**d) Instrumenti lubatud pöörete arv peab olema vähe-malt sama suur kui elektritööriista märgitud maxi-maalne pöörete arv. Tarvikud, mis pöörlevad lubatust kiiremini, võivad murduda ja lendu paiskuda.**

**e) Kasutatava instrumendi välisdiameeter ja paksus peavad vastama elektritööriista etteantud mõõtudele. Vale mõõduga instrumente ei ole võimalik kaitseadistega piisavalt turvata ja kontrollida.**

**f) Tarvikudetaili keere peab lihvspindli keermega ühild-uma. Tarvikudetailide puhul, mis monteeritakse ääriku abil, peab tarvikudetaili ava ÄÄRIKU läbimõõduga ühilduma. Tarvikudetailid, mis ei sobi seadmele, viskuvad töötamisel, vibreerivad liiga tugevasti ja võivad põhjustada kontrolli kaotamist seadme üle.**

**g) Ärge kasutage vigastatud tarvikuid. Iga kord enne kasutust kontrollige tarvikuid, näiteks lihvkettaid ja lihvtaldur pragude või kulumise suhtes, traatharju lah-tiste või murdunud traatide suhtes. Kui seade või tarvik kukub maha, siis veenduge, et see ei ole vigastatud, või kasutage vajaduse korral vigastamata tarvikut. Kui olete tarvikut üle vaadanud ja kohale asetanud, laske seadmel ühe minuti jooksul töötada maksimaalsetel pööretel. Seejuures ärge asetsege pöörleva tarvikuga ühel tasandil ja veenduge, et seda ei tee ka läheduses viibivad inimesed. Selle katseaja jooksul vigastatud tarvi-kud üldjuhul purunevad.**

**h) Kandke isikukaitsevahendeid. Kasutage vastavalt kasutusotstarbele näomaski, silmakaitset või kaitse-epriille. Vajaduse korral kandke tolmukaitsemaski, kuulmiskaitsevahendeid, kaitsekindaid või kaitsepõlle, mis kaitseb Teid lihvimisel eralduvate väikeste osakeste eest. Sildad peavad olema kaitstud seadme kasutamisel eralduvate vöörkehade eest. Tolmu- või hingamisteede**

kaitsemaskid peavad filtreerima kasutamisel tekkiva tolmu. Pikaajaline vali müra võib kahjustada kuulmist.

i) **Jälgige, et teised inimesed oleksid teie tööpiirkonnast ohutus kauguses. Kõik tööpiirkonda tulevad isikud peavad kandma isiklike kaitsevahendeid.** Töödeldava materjali või puruneva instrumendi killud võivad paiskuda eemale ja tekitada vigastusi ka väljaspool otsest tööpiirkonda.

j) **Tööde puhul, kus lõikeseade võib minna vastu peidetud elektrijuhtmeid, hoidke kinni seadme isoleeritud käepidemetest.** Kokkupuutumine voolu all oleva juhtmega seab ka tööriista metalldetailid voolu alla ning tööriista kasutaja võib saada elektrilöögi.

k) **Ärge pange seadet kunagi enne käest, kui instrument on täielikult seisma jäänud.** Veel pöörlev instrument võib puutuda vastu pinda, millele te seadme asetate, ning te võite elektritööriista üle kontrolli kaotada.

l) **Seadme transportimise ajal ärge laske seadmel töötada.** Teie rõivad võivad pöörleva tarvikuga juhuslikult kokku puutuda ning tarvik võib tungida Teie kehasse.

m) **Puhastage regulaarselt seadme ventilatsioonivahendite.** Mootori ventilator tõmbab tolmu korpusse, kuhjuv metallitolm võib põhjustada elektrilisi ohte.

n) **Ärge kasutage seadet põlevate materjalide läheduses.** Seadme lenduvad sädemed võivad neid materjale süüdata.

o) **Ärge kasutage instrumente, mille jaoks on vaja jahutusvedelikke.** Vee või muude vedelate jahutusvahendite kasutamine võib põhjustada elektrilöögi.

#### Tagasilööki ja asjaomased ohutsüüded

Tagasilööki on kinnikiilduvast tarvikust, näiteks lihvketast, lihvallast, traatharjast vmt tingitud järsk reaktsioon. Kinnikiildumine põhjustab tarviku järsu seiskumise. Selle tagajärjel liigub seade kontrollimatult tarviku pöörlemissuunale vastupidises suunas.

Kui näiteks lihvketas toorikus kinni kiilub, võib tagajärjeks olla tagasilööki või lihvketta murdumine. Lihvketas liigub sõltuvalt ketta pöörlemissuunast kas seadme kasutaja poole või kasutajast eemal. Seejuures võivad lihvketad ka murduda.

Tagasilööki on seadme ebaõige kasutamise või valede töövõtete tagajärg. Seda saab vältida, rakendades järgnevalt kirjeldatud sobivaid ettevaatusabinõusid.

a) **Hoidke seadet tugevasti kinni ja viige oma keha ja käed asendisse, milles saate tagasilöögi juhtumisel vastu astuda. Suurima kontrolli saavutamiseks tagasilöögi juhtumisel või reaktsioonimomentide üle kasutage alati lisakäepidet, kui see on olemas.** Seadme kasutaja suudab sobivaid ettevaatusabinõusid rakendada tagasilöögi- ja reaktsioonijõudusid kontrollida.

b) **Ärge viige oma kätt kunagi pöörlevate tarvikute lähedusse.** Tagasilöögi puhul võib tarvik liikuda üle Teie käe.

c) **Vältige oma kehaga piirkonda, kuhu seade tagasilöögi puhul liigub.** Tagasilööki viib seadme lihvketta liikumissuunale vastupidises suunas.

d) **Eriti ettevaatlikult töötage nurkade, teravate servade jmt piirkonnas. Hoidke ära tarvikute tagasipõrkumise toorikult ja kinnikiildumise.** Pöörlev tarvik kaldub nurkades, teravates servades ja tagasipõrkumise korral kinni kiilduma. See põhjustab kontrolli kaotuse seadme üle või tagasilöögi.

e) **Ärge kasutage kettsaelahte ega hambulise servaga saelehte.** Sellised instrumendid võivad kutsuda sageli esile tagasilöögi või põhjustada elektritööriista üle kontrolli kaotamise.

#### Spetsiifilised ohutsüüded poleerimiseks

a) **Veenduge, et poleerikettal ei oleks lahtisi osi, esmaajoones kinnitussüüde. Peitke või lühendage kinnitussüüdeid.** Lahtised kaasapöörlevad kinnitussüüdeid võivad Teie sõrmed kaasa haarata või toorikusse kinni jääda.

#### Spetsiifilised ohutsüüded liivapaberiga lihvimisel

a) **Ärge kasutage liiga suurte mõõtmetega lihvapabereid, juhendage tootja andmetel lihvapaberi suuruse kohta.** Üle lihvalla ulatuvad lihvapaberid võivad põhjustada vigastusi, samuti lihvapaberi kinnijäämist, rebenemist või tagasilööki.

#### Edasised ohutsüüde- ja tööjuhised

Metallide lihvimisel tekib sädemeid. Veenduge selles, et inimesed poleks ohustatud. Tuleohu tõttu ei tohi lähedal (sädemete piirkonnas) olla tuleohtlikke materjale. Ärge kasutage tolmu äraimemist.

Vältige lendavate sädemete ja lihvimistolmu sattumist kehale.

Ärge pange kätt töötavate terade ohupiirkonda!

Lülitage seade välja kohe, kui tekib märgatav vibratsioon või märkate muid puudusi. Kontrollige masin üle, et põhjus kindlaks teha.

Puru ega pilpaid ei tohi eemaldada masina töötamise ajal.

Ärge visake tarvitatud vahetatavaid akusid tulle ega olmeprügisse. Milwaukee pakub vanade akude keskkonnahoidlikku käitlust; palun küsige oma erialaselt tarnijalt.

Ärge säilitage vahetatavaid akusid koos metalliesemetega (lühiseht).

Laadige süsteemi C12 vahetatavaid akusid ainult süsteemi C12 laadijatega. Ärge laadige nendega teiste süsteemide akusid.

Ärge avage vahetatavaid akusid ega laadijaid ning ladustage neid ainult kuivades ruumides. Kaitske niiskuse eest.

Äärmuslik koormusel või äärmuslikul temperatuuril võib kahjustatud vahetatavast akust akuvedelik välja voolata. Akuvedelikuga kokkupuutumise korral peske kohe vee ja seebiga. Silma sattumise korral loputage kiiresti põhjalikult vähemalt 10 minutit ning pöörduge viivitamatult arsti poole.

**Hoiatus!** Lühisest põhjustatud tuleoht, vigastuste või toote kahjustuste vältimiseks ärge kaske tööriista, vahetusakut ega laadimisseadet vedelikku ning jälgige, et vedelikke ei tungiks seadmetesse ega akusse. Korrodeeruvad või elektrit juhtivad vedelikud, nagu soolvesi, teatud kemikaalid ja pleegitusained või pleegitusaineid sisaldavad tooted, võivad põhjustada lühist.

#### KASUTAMINE VASTAVALT OTSTARBELE

Lihvitav ja poleeritav seade on ettenähtud pinande lihvimiseks ja poleerimiseks. Poleerijat saab rakendada lakkide, kattekihtide, plastide ja teiste siledade pealispindade poleerimiseks.

Kahtlusekorral järgida tarvikute tootja õpetusi.

Elektritööriist sobib üksnes kuivtöötamiseks.

#### TÖÖJUHISED

Kasutage alati lisakäepidet.

Töödeldav toorik tuleb kinnitada, kui ta ei seisa oma raskusega paigal. Ärge juhtige toorikut kunagi käega vastu ketast.

#### HOOLDUS

Hoidke masina õhutuspiilud alati puhtad.

Kasutage ainult Milwaukee tarvikuid ja tagavaraosi. Detailid, mille väljavahetamist pole kirjeldatud, laske välja vahetada Milwaukee klienditeeninduspunkti (vaadake brošüüri garantii / klienditeeninduste aadressid).

Vajaduse korral võite tellida seadme läbilõikejoonise, näidates ära masina tüübi ja andmesildil oleva numbriga. Selleks pöörduge klienditeeninduspunkti või otse: Techtronic Industries GmbH, Max-Eyth-Straße 10, 71364 Winnenden, Germany.

#### EÜ VASTAVUSAVALDUS

Me deklareerime ainuisikuliselt vastutades, et lõigus "Tehnilised andmed" kirjeldatud toode vastab direktiivide 2011/65/EU (RoHS), 2014/30/EU, 2006/42/EÜ kõigile olulisele tähtsusega eeskirjadele ning järgmistele harmoniseeritud normatiivsetele dokumentidele:

EN 60745-1:2009+A11:2010  
EN 60745-2-3:2011 + A2:2013  
EN 55014-1:2006+A1:2009+A2:2011  
EN 55014-2:2015  
EN 50581:2012

Winnenden, 2017-11-30



Alexander Krug  
Managing Director



On volitatud koostama tehnilist dokumentatsiooni.

Techtronic Industries GmbH  
Max-Eyth-Straße 10  
71364 Winnenden  
Germany

#### AKUD

Pikemat aega mittekasutatud akusid laadige veel enne kasutamist.

Temperatuur üle 50 °C vähendab vahetatava aku töövõimet. Vältige pikemat soojenemist päikese või kütteseadme mõjul.

Hoidke laadija ja vahetatava aku ühenduskontaktid puhtad. Optimaalse patarei eluea tagamiseks, pärast kasutamist lae patareiplokk täielikult.

Akud tuleks võimalikult pika kasutusea saavutamiseks pärast täislaadimist laadijast välja võtta.

Aku ladustamisel üle 30 päeva:  
Ladustage akut kuivas kohas u 27°C juures.  
Ladustage akut u 30-50% laetusseisundis.  
Laadige aku iga 6 kuu tagant täis.

#### LIITIUMIOONAKUDE TRANSPORTIMINE

Liitiumioonakud on allutatud ohtlike ainete transportimisega seonduvatele õigusaktidele.

Nende akude transportimine peab toimuma kohalikest, siseriiklikest ja rahvusvahelistest eeskirjadest ning määrustest kinni pidades.

- Tarbijad tohivad neid akusid edasiste piiranguteta tänaval transportida.
- Liitiumioonakude kommenttransport ekspedeerimisettevõtete kaudu on allutatud ohtlike ainete transportimisega seonduvatele õigusaktidele. Tarneettevalmistusi ja transporti tohivad teostada eranditult vastavalt koolitatud isikud. Kogu protsessi tuleb asjatundlikult jälgida.

Akude transportimisel tuleb järgida järgmisi punkte:

- Tehke kindlaks, et kontaktid on lühiste vältimiseks kaitstud ja isoleeritud.
- Pöörake tähelepanu sellele, et akupakk ei saaks pakendis nihkuda.
- Kahjustatud või välja voolanud akusid ei tohi kasutada.

Pöörduge edasiste juhiste saamiseks ekspedeerimisettevõtte poole.

#### SÜMBOLID



ETTEVAATUST! TÄHELEPANU! OHUD!



Enne kõiki töid masina kallal võtke vahetatav aku välja.



Palun lugege enne käikluskmist kasutamjuhend hoolikalt läbi.



Masinaga töötades kandke alati kaitseprille.



Kanda kaitsekindaid!



Elektriseadmeid, patareisid/akusid ei tohi utiliseerida koos majapidamisprügiga. Elektriseadmed ja akud tuleb eraldi kokku koguda ning kõrvaldada keskkonnasõbralikul moel töötlemiskeskusesse. Küsige infot jäätmeäitlusjaamade ja kogumispunktide kohta oma kohalike ametnike või edasimüüja käest.



CE-märk

ØPmax = 76 mm

Maksimaalne poleerimisvõimsus

ØSmax = 51 mm

Maksimaalne lihvimisvõimsus



TR 066

Ukraina riiklik vastavusmärk



Euraasia vastavusmärk.



ТЕХНИЧЕСКИЕ ДАННЫЕ	M12 BPS
<b>Полировочной/Шлифовальной машины</b>	
Серийный номер изделия	4477 93 03... ...000001-999999
Вольтаж аккумулятора	12 V
Номинальное число оборотов 1-ая передача	0-2800 min <sup>-1</sup>
Номинальное число оборотов 2-я скорость	0-8300 min <sup>-1</sup>
Диаметр полировальных кругов	76 mm
Диаметр шлифовального круга	51 mm
Резьба шпинделя	M9x0,75
Вес согласно процедуре EPTA 01/2003 (2,0 Ah)	1,0 kg
Вес согласно процедуре EPTA 01/2003 (4,0 Ah)	1,2 kg
<b>Информация по шумам/вибрации</b> Значения замерялись в соответствии со стандартом EN 60 745. Уровень шума прибора, определенный по показателю A, обычно составляет: Уровень звукового давления (Небезопасность K=3dB(A)) Уровень звуковой мощности (Небезопасность K=3dB(A))	68,24 dB(A) 79,20 dB(A)
<b>Пользуйтесь приспособлениями для защиты слуха.</b> Общие значения вибрации (векторная сумма трех направлений) определены в соответствии с EN 60745.	
Полирование Значение вибрационной эмиссии a <sub>h,rp</sub> Небезопасность K	2,95 m/s <sup>2</sup> 1,83 m/s <sup>2</sup>
Шлифование наждачной бумагой Значение вибрационной эмиссии a <sub>h,ds</sub> Небезопасность K	2,3 m/s <sup>2</sup> 1,5 m/s <sup>2</sup>

## ВНИМАНИЕ

Указанный в настоящем руководстве уровень вибрации измерен в соответствии с технологией измерения, установленной стандартом EN 60745 и может использоваться для сравнения электроинструментов друг с другом. Он также подходит для предварительной оценки вибрационной нагрузки.

Указанный уровень вибрации представляет основные виды использования электроинструмента. Но если электроинструмент используется для других целей, используемый инструмент отклоняется от указанного или техническое обслуживание было недостаточным, то уровень вибрации может отклоняться от указанного. В этом случае вибрационная нагрузка в течение всего периода работы значительно увеличивается.

Для точной оценки вибрационной нагрузки необходимо также учитывать время, в течение которого прибор отключен или включен, но фактически не используется. В этом случае вибрационная нагрузка в течение всего периода работы может существенно уменьшиться.

Установите дополнительные меры безопасности для защиты пользователя от воздействия вибрации, например: техническое обслуживание электроинструмента и используемого инструмента, поддержание рук в теплом состоянии, организация рабочих процессов.

**⚠ ПРЕДУПРЕЖДЕНИЕ!** Прочтите все указания по безопасности и инструкции. Упущения, допущения при соблюдении указаний и инструкций по технике безопасности, могут стать причиной электрического поражения, пожара и тяжелых травм.

Сохраняйте эти инструкции и указания для будущего использования.

## ⚠ УКАЗАНИЯ ПО БЕЗОПАСНОСТИ ДЛЯ ПОЛИРОВОЧНОЙ/ШЛИФОВАЛЬНОЙ МАШИНЫ

Общие предупреждающие указания по шлифованию наждачной бумагой и для полирования:

a) Настоящий электроинструмент предназначен для проволочной щетки и применения в качестве шлифовальной машины с наждачной бумагой. Учитывайте все предупреждающие указания, инструкции, иллюстрации и данные, которые Вы получите с электроинструментом. При несоблюдении нижеприведенных указаний возможно поражение электротоком, возникновение пожара и/или получение серьезных травм.

b) Данный электроинструмент не предназначен для разделения и черного шлифования и работе с проволочными щетками. Использование электроинструмента не по назначению может вывести его из строя и нанести травмы.

c) Не применяйте принадлежности, которые не предусмотрены изготовителем специально для настоящего электроинструмента и не рекомендуются им. Только возможность крепления принадлежностей в Вашем электроинструменте не гарантирует еще его надежного применения.

d) Допустимое число оборотов используемого инструмента должно быть как минимум таким же, как и максимальное число оборотов, указанное на электроинструменте. Комплектующие, которые вращаются быстрее допустимой скорости, могут сломаться и отлететь.

i) Следите за тем, чтобы иные лица находились на безопасном расстоянии от Вашего рабочего места. Каждый входящий в рабочую зону должен пользоваться средствами защиты. Отлетающие обломки обрабатываемой детали или инструментальных насадок могут нанести травму и за пределами рабочей зоны.

j) Если Вы выполняете работы, при которых режущий инструмент может зацепить скрытую электропроводку кабель, инструмент следует держать за специально предназначенные для этого изолированные поверхности. При контакте с проводом, находящимся под напряжением, металлические части механического инструмента также окажутся под напряжением, и оператор может получить удар током.

k) Никогда не кладите электрический инструмент до тех пор, пока инструментальная насадка полностью не остановится. Вращающаяся насадка может коснуться поверхности, на которую Вы кладёте электрический инструмент, вследствие чего Вы можете потерять над ним контроль.

l) Выключайте электроинструмент при транспортировании. Ваша одежда может быть случайно захвачена вращающимся рабочим инструментом и последний может нанести Вам травму.

m) Регулярно очищайте вентиляционные прорези Вашего электроинструмента. Вентилятор двигателя затягивает пыль в корпус и большое скопление металлической пыли может привести к электрической опасности.

n) Не используйте электрический инструмент вблизи горючих материалов. Искры могут привести к возгоранию этих материалов.

o) Не пользуйтесь инструментальными насадками, требующими применения жидких охлаждающих средств. Использование воды или иных жидких охлаждающих средств может привести к поражению электрическим током.

## Обратный удар и соответствующие предупреждающие указания

Обратный удар это внезапная реакция в результате заедания или блокирования вращающегося рабочего инструмента, как то, шлифовального круга, шлифовальной тарелки, проволочной щетки и т.д., ведущая к резкому останову вращающегося рабочего инструмента. При этом неконтролируемый электроинструмент ускоряется на месте блокировки против направления вращения рабочего инструмента.

Если шлифовальный круг заедает или блокирует в заготовке, то погруженная в заготовку кромок шлифовального круга может быть зажата и в результате привести к выскакиванию круга из заготовки или к обратному удару. При этом шлифовальный круг движется на оператора или от него, в зависимости от направления вращения круга на месте блокирования. При этом шлифовальный круг может поломаться.

Обратный удар является следствием неправильного использования электроинструмента или ошибки оператора. Он может быть предотвращен описанными ниже мерами предосторожности.

a) Крепко держите электроинструмент и займите Вашим телом и руками положение, в котором Вы можете противодействовать обратным силам. При наличии, всегда применяйте дополнительную рукоятку, чтобы как можно лучше противодействовать обратным силам или реакционным моментам при наборе оборотов. Оператор может подходящими мерами предосторожности противодействовать силам обратного удара и реакционным силам.

b) Ваша рука никогда не должна быть вблизи вращающегося рабочего инструмента. При обратном ударе рабочий инструмент может пойти по Вашей руке.

c) Держитесь в стороне от участка, в котором при обратном ударе будет двигаться электроинструмент. Обратный удар ведет электроинструмент в противоположном направлении к движению шлифовального круга в месте блокирования.

d) Особенно осторожно работайте на углах, острых кромках и т.д. Предотвращайте отскок рабочего инструмента от заготовки и его заклинивание. Вращающийся рабочий инструмент склонен на углах, острых кромках и при отскоке к заклиниванию. Это вызывает потерю контроля или обратный удар.

e) Не пользуйтесь цепными или зубчатыми пилами. Такие инструментальные насадки часто приводят к отдаче или потере контроля над электрическим инструментом.

Специальные предупреждающие указания для полирования

a) Убирайте незакрепленные части колпака полировального тампона, особенно тесемки крепления. Спрячьте или укоротите тесемки крепления. Висюльки, вращающиеся тесемки крепления могут захватить Ваши пальцы или намататься на деталь.

Специальные предупреждающие указания для шлифования наждачной бумагой

a) Не применяйте шлифовальные листы с завышенными размерами, а следуйте данным изготовителя по размерам шлифовальных листов. Шлифовальные листы, выступающие за край шлифовальной тарелки, могут стать причиной травм и блокирования, рваться или привести к обратному удару.

## Дополнительные указания по безопасности и работе

Необходимо следить за тем, чтобы искры, вылетающие с обрабатываемой поверхности, не падали на воспламеняющиеся материалы.

Избегайте попадания искр и шлифовальной пыли на тело.

Никогда не приближайте руки к опасной зоне при включенном рубанке.

Немедленно выключайте машину если почувствовали осязтую вибрацию или при других неисправностях. Проверьте инструмент чтобы обнаружить причину неисправности.

Не убирайте опилки и обломки при включенном инструменте.

Не выбрасывайте использованные аккумуляторы вместе с домашним мусором и не сжигайте их. Дистрибьюторы компании Milwaukee предлагают восстановление старых аккумуляторов, чтобы защитить окружающую среду.

Не храните аккумуляторы вместе с металлическими предметами во избежание короткого замыкания.

Для зарядки аккумуляторов модели C12 используйте только зарядным устройством C12. Не заряжайте аккумуляторы других систем.

Никогда не вскрывайте аккумуляторы или зарядные устройства и храните их только в сухих помещениях. Следите, чтобы они всегда были сухими.

Аккумуляторная батарея может быть повреждена и дать течь под воздействием чрезмерных температур или повышенной нагрузки. В случае контакта с аккумуляторной кислотой немедленно промойте место контакта мылом и водой. В случае попадания кислоты в глаза промойвайте глаза в течении 10 минут и немедленно обратитесь за медицинской помощью.

**Предупреждение!** Для предотвращения опасности пожара в результате короткого замыкания, травм и повреждения изделия не опускайте инструмент, сменный аккумулятор или зарядное устройство в жидкости и не допускайте попадания жидкостей внутрь устройств или аккумуляторов. Коррозионные и проводящие жидкости, такие как соленый раствор, определенные химикаты, отбеливающие средства или содержащие их продукты, могут привести к короткому замыканию.

## ИСПОЛЬЗОВАНИЕ

Данная шлифовальная или полировальная машина может использоваться для шлифовки или полировки лаков, облицовки, пластика и других гладких поверхностей.

В случае сомнения соблюдайте указания производителя принадлежностей.

Этот электроинструмент предназначен только для работы всухоу.

## УКАЗАНИЯ ПО РАБОТЕ

Всегда пользуйтесь дополнительной рукояткой.

Если изделие не достаточно тяжелое и неустойчивое, то его необходимо закрепить. Никогда не подносите изделие к шлифовальному диску, держа его в руках.

## ОБСЛУЖИВАНИЕ

Всегда держите охлаждающие отверстия чистыми.

Пользуйтесь аксессуарами и запасными частями только фирмы Milwaukee. В случае возникновения необходимости в замене, которая не была описана, пожалуйста, обращайтесь на один из сервисных центров (см. список наших гарантийных/сервисных организаций).

При необходимости может быть заказан чертеж инструмента с трехмерным изображением деталей. Пожалуйста, укажите номер и тип инструмента и закажите чертеж у Ваших местных агентов или непосредственно у Techtronic Industries GmbH, Max-Eyth-Straße 10, 71364 Winnenden, Germany.

## ДЕКЛАРАЦИЯ О СООТВЕТСТВИИ СТАНДАРТАМ ЕС

Мы заявляем под собственную ответственность, что изделие, описанное в разделе "Технические характеристики", соответствует всем важным предписаниям Директивы 2011/65/EU (Директива об ограничении применения опасных веществ в электрических и электронных приборах), 2014/30/EU, 2006/42/EC и приведенным далее гармонизированным нормативным документам:

EN 60745-1:2009+A11:2010  
EN 60745-2-3:2011 + A2:2013  
EN 55014-1:2006+A1:2009+A2:2011  
EN 55014-2:2015  
EN 50581:2012

Winnenden, 2017-11-30

Alexander Krug  
Managing Director



Уполномочен на составление технической документации.

Techtronic Industries GmbH  
Max-Eyth-Straße 10  
71364 Winnenden  
Germany

## АККУМУЛЯТОР

Перед использованием аккумулятора, которым не пользовались некоторое время, его необходимо зарядить.

Температура свыше 50°C снижает работоспособность аккумуляторов. Избегайте продолжительного нагрева или прямого солнечного света (риск перегрева).

Контакты зарядного устройства и аккумуляторов должны содержаться в чистоте.

Для обеспечения оптимального срока службы аккумулятор необходимо полностью зарядить после использования прибора.

Для достижения максимально возможного срока службы аккумуляторы после зарядки следует вынимать из зарядного устройства.

При хранении аккумулятора более 30 дней:  
Храните аккумулятор при 27°C в сухом месте.  
Храните аккумулятор с зарядом примерно 30% - 50%.  
Каждые 6 месяцев аккумулятор следует зарядить.

## ТРАНСПОРТИРОВКА ЛИТИЙ-ИОННЫХ АККУМУЛЯТОРОВ

Литий-ионные аккумуляторы в соответствии с предписаниями закона транспортируются как опасные грузы.

Транспортировка этих аккумуляторов должна осуществляться с соблюдением местных, национальных и международных предписаний и положений.

- Эти аккумуляторы могут перевозиться по улице потребителем без дальнейших обязательств.
- При коммерческой транспортировке литий-ионных аккумуляторов экспедиторскими компаниями действуют положения, касающиеся транспортировки опасных грузов. Подготовка к отправке и транспортировка должны производиться исключительно специально обученными лицами. Весь процесс должен находиться под контролем специалиста.

При транспортировке аккумуляторов необходимо соблюдать следующие пункты:

- Убедитесь, что контакты защитные и изолированы во избежание короткого замыкания.
- Следите за тем, чтобы аккумуляторный блок не соскользнул внутри упаковки.
- Транспортировка поврежденных или протекающих аккумуляторов запрещена.

За дополнительными указаниями обратитесь к своему экспедитору.

## СИМВОЛЫ



**ВНИМАНИЕ! ПРЕДУПРЕЖДЕНИЕ!  
ОПАСНОСТЬ!**



Выньте аккумулятор из машины перед проведением с ней каких-либо манипуляций.



Пожалуйста, внимательно прочтите инструкцию по использованию перед началом любых операций с инструментом.



При работе с инструментом всегда надевайте защитные очки.



Надевать защитные перчатки!



Электроприборы, батареи/аккумуляторы запрещено утилизировать вместе с бытовым мусором. Электрические приборы и аккумуляторы следует собирать отдельно и сдавать в специализированную компанию для утилизации в соответствии с нормами охраны окружающей среды. Получите в местных органах власти или у вашего специализированного дилера сведения о центрах вторичной переработки и пункта сбора.



Знак CE

ØPmax = 76 мм

Максимальная мощность полировки

ØSmax = 51 мм

Максимальная мощность шлифования



TR 066



Национальный знак відповідності України

"Сертификата о соответствии No. RU C-DE.ME77.B.01627  
Срок действия сертификата о соответствии по 19.06.2019  
ООО «Центр по сертификации стандартизации и систем качества электро-машиностроительной продукции»  
141400, РФ, Московская область, г. Химки, Ул.  
Ленинградская, 29"

## Транспортировка:

Категорически не допускается падение и любые механические воздействия на упаковку при транспортировке.

При разгрузке/погрузке не допускается использование любого вида техники, работающей по принципу зажима упаковки.

## Хранение:

Необходимо хранить в сухом месте. Необходимо хранить вдали от источников повышенных температур и воздействия солнечных лучей.

При хранении необходимо избегать резкого перепада температур.

Хранение без упаковки не допускается.

## Срок службы изделия:

Срок службы изделия составляет 5 лет. Не рекомендуется к эксплуатации по истечении 5 лет хранения с даты изготовления без предварительной проверки.

Дата изготовления (код даты) отштампован на поверхности корпуса изделия.

Пример:

A2015, где 2015 - год изготовления

A - месяц изготовления

Определить месяц изготовления можно согласно приведенной ниже таблице

A - Январь	G - Июль
B - Февраль	H - Август
C - Март	J - Сентябрь
D - Апрель	K - Октябрь
E - Май	L - Ноябрь
F - Июнь	M - Декабрь

Тектроник Индастриз ГмбХ  
Германия, 71364, Винненден,  
ул. Макс-Ай-Штрассе, 10  
Сделано в КНР

## ТЕХНИЧЕСКИ ДАННИ

### Полиращи и шлифовъчни машини

Производствен номер	4477 93 03... ...000001-999999
Напряжение на аккумулятора	12 V
Номинална скорост на въртене 1. скорост	0-2800 min <sup>-1</sup>
Номинална скорост на въртене 2. скорост	0-8300 min <sup>-1</sup>
Диаметър Полировъчни кръгове	76 mm
Диаметър на шлифовъчен диск	51 mm
Резба на шпиндела	M9x0,75
Тегло съгласно процедурата EPTA 01/2003 (2,0 Ah)	1,0 kg
Тегло съгласно процедурата EPTA 01/2003 (4,0 Ah)	1,2 kg
<b>Информация за шума/вибрациите</b> Измерените стойности са получени съобразно EN 60 745. Оцененото с A ниво на шума на уреда е съответно: Равнище на звуковото налягане (Несигурност K=3dB(A)) Равнище на мощността на звука (Несигурност K=3dB(A)) <b>Да се носи предпазно средство за слуха!</b> Общите стойности на вибрациите (векторна сума на три посоки) са определени в съответствие с EN 60745. Полиране Стойност на емисии на вибрациите a <sub>n,p</sub> Несигурност K Шлайфане с шкурка Стойност на емисии на вибрациите a <sub>n,DS</sub> Несигурност K	68,24 dB(A) 79,20 dB(A)  2,95 m/s <sup>2</sup> 1,83 m/s <sup>2</sup>  2,3 m/s <sup>2</sup> 1,5 m/s <sup>2</sup>

## ВНИМАНИЕ

Посоченото в тези инструкции ниво на вибрациите е измерено в съответствие със стандартизиран в EN 60745 измервателен метод и може да се използва за сравнение на електрически инструменти помежду им. Подходящ е и за временна оценка на вибрационното натоварване.

Посоченото ниво на вибрациите представя основните приложения на електрическия инструмент. Ако обаче електрическият инструмент се използва с друго предназначение, с различни сменяеми инструменти или при недостатъчна техническа поддръжка, нивото на вибрациите може да е различно. Това чувствително може да увеличи вибрационното натоварване по време на целия работен цикъл.

За точната оценка на вибрационното натоварване трябва да се вземат предвид и периодите от време, в които уредът е изключен или работи, но в действителност не се използва. Това чувствително може да намали вибрационното натоварване по време на целия работен цикъл.

Определете допълнителни мерки по техника на безопасност в защита на обслужващия работник от въздействието на вибрациите като например: техническа поддръжка на електрическия инструмент и сменяемите инструменти, поддръжане на ръцете топли, организация на работния цикъл.

## ⚠ ПРЕДУПРЕЖДЕНИЕ! Прочетете всички указания и напътствия за безопасност.

Пропуски при спазването на указанията и напътствията за безопасност могат да доведат до токов удар, пожар и/или тежки наранявания.

**Съхранявайте указанията и напътствията за безопасност за справка при нужда.**

## ⚠ УКАЗАНИЯ ПО БЕЗОПАСНОСТТА ПОЛИРАЩИ И ШЛИФОВЪЧНИ МАШИНИ

Общи указания за безопасна работа при шлифование с шкурка и полиране:

- Този електроинструмент може да се използва за полиране и шлифование с шкурка. Спазвайте всички указания и предупреждения, съобразявайте се с приведените технически параметри и изображения.** Ако не спазвате посочените по-долу указания, последствията могат да бъдат токов удар, пожар и/или тежки травми.
- Този електроинструмент не е подходящ за рязане и грубо шлайфане и работа с телена четка.** Ако се използва за цели, за които не е предвиден, този електроуред може да доведе до опасност и наранявания.
- Не използвайте допълнителни приспособления, които не се препоръчват от производителя специално за този електроинструмент.** Фактът, че можете да закрепите към машината определено приспособление или работен инструмент, не гарантира безопасна работа с него.
- Допустимите обороти на работния инструмент трябва да бъдат най-малко толкова високи, колкото посочените на**

электроинструмента максимални обороти. Аксесоари, които се въртят по-бързо от допустимото, могат да се счупят и да се разхвърчат.

**е) Външният диаметър и дебелината на работния инструмент трябва да отговарят на посочените размери на Вашия електроинструмент.** Работни инструментите с неподходящи размери не могат да бъдат покрити достатъчно или да бъдат контролирани.

**ф) Резбата на работните принадлежности трябва да съвпада с резбата на шлифовъчното вретено.** При принадлежност, които са монтирани с помощта на фланец, отворът на работната част трябва да съвпада с диаметъра на ФЛАНЕЦА. Работните принадлежности, които не пасват към машината, работят ексцентрично, вибрират прекалено и може да доведат до загуба на контрол над машината.

**г) Не използвайте повредени работни инструменти.** Преди всяка употреба проверявайте работните инструменти, напр. абразивните дискове за пукнатини или откритени ръбчета, подложните дискове за пукнатини или силно износване, телените четки за недобре захванати или счупени телчета. Ако изгървете електроинструмента или работния инструмент, ги проверявайте внимателно за увреждания или използвайте нови неповредени работни инструменти. След като сте проверили внимателно и сте монтирали работния инструмент, оставете електроинструмента да работи на максимални обороти в продължение на една минута; стойте и дръжте намиращи се наблизо лица в страни от равнината на въртене. Най-често повредени работни инструменти се счупят през този тестов период.



h) Носете лични предпазни средства. Според необходимостта използвайте цяла лицева маска, маска за очи или защитни очила. Ако е необходимо носете маска срещу прах, защита на слуха, предпазни ръкавици или специална престилка, която предпазва от малки частици от диска или от материала. Очите трябва да се защитени от чужди тела, които могат да отлетят по различни причини. Противопрашната или дихателната маска трябва да могат да филтрират праха, който се образува при работа. Ако сте изложени дълго време на силен шум, това може да причини загуба на слуха Ви.

i) Внимавайте останалите лица да са на безопасно разстояние от Вашата работна зона. Всеки, който влиза в работната зона, трябва да носи лични предпазни средства. Отчупени парченца от обработваната част или от счупени работни инструменти могат да отлетят и да причинят наранявания дори и на лица извън непосредствената работна зона.

j) Дръжте уреда за изолираните ръкохватки, когато извършвате работи, при които режещият инструмент може да засегне скрити електроинсталационни кабели. Контактът със захранващи електрически кабел може да доведе до попадане под напрежение на метални части на уреда и до токов удар.

k) Никога не оставяйте електроинструмента, докато работният инструмент не е напълно спрял. Въртящият се работен инструмент може да влезе в контакт с повърхността, върху която сте оставили електроинструмента, поради което може да загубите контрола върху него.

l) Докато пренасяте електроинструмента, не го оставяйте включен. При неволно допир дръжките или косите Ви могат да бъдат увлечени от работния инструмент, в резултат на което работният инструмент може да се вреже в тялото Ви.

m) Почиствайте редовно шлицовете за проветрение на електроинструмента. Духалката на мотора засмуква прах в корпуса на електроинструмента, а насъбирането на метален прах може да причини електрически опасности.

n) Не работете с електроинструмента в близост до запалими материали. Искрите могат да възпламят тези материали.

o) Не използвайте работни инструменти, които трябва да се охлаждат с течности. Употребата на вода или на други течни охлаждащи средства може да доведе до токов удар.

#### Откат и съвети за избягването му

"Ритането" е внезапна реакция на машината вследствие на закачил се или блокиран въртящ се инструмент, напр. шлайфаща шайба, шлайфащ диск, телена четка и др. Закачането или блокирането води до внезапно спиране на въртящия се инструмент. По този начин на мястото на блокирана машина се ускорява неконтролирано срещу посоката на въртене на инструмента.

Ако напр. шлифовъчният диск се заклинни или блокира в обработваната част, ръбът на диска, който влиза в обработваната част, може да се заплете и по този начин шлифовъчният диск може да се счупи или да бъде предизвикан откат. Тогава шлифовъчният диск се отправя към или се отдалечава от обслужващото лице, в зависимост от посоката на въртене на диска на мястото на блокиране. В такъв случай шлифовъчните дискове могат също да се счупят.

Откатът е резултат от неправилна или погрешна употреба на електроинструмента. Той може да бъде предотвратен чрез подходящи мерки за безопасност, както е описано в следното.

a) **Хванете здраво машината и дръжте тялото и ръцете си в такова положение, в което да можете да поемете силата на отката.** Винаги използвайте допълнителната ръкохватка, ако има такава, за да имате възможно най-голям контрол върху силата на отката или върху реакцията въртящ момент. Чрез подходящи мерки за безопасност обслужващият персонал може да овладее силите на отката и на реакция.

b) **Никога не приближавайте ръцете си до въртящите се работни инструменти.** При откат въртящият се работен инструмент може да се окаже върху ръцете Ви.

c) **Избягвайте тялото Ви да се намира в тази зона, в която може да се окаже електрическата машина при "ритане".** "Ритането" измества машината на мястото на блокиране в посока обратна на движението на шлайфащата шайба.

d) **Работете особено предпазливо в зоните на Ъгли, остри ръбове и др. п. Избягвайте отблъскването на работните инструменти от обработваната част и заклиняването им в нея.** При обработване на Ъгли или остри ръбове или при рязко отблъскване на въртящия се работен инструмент съществува повишена опасност от заклиняване. Това предизвиква загуба на контрол над машината или откат.

e) **Не използвайте вържежи или назъбен режещ диск.** Такива инструменти често причиняват "ритане" или загуба на контрол върху електрическата машина.

#### Специални указания за безопасна работа при полиране

a) **Не оставяйте висящи нишки или предмети по полиращото платно, напр. връв за окачване. Ако платното има връв за окачване, предварително я връзвайте или отрязвайте.** Въртяща се незахваната връв може да увлече пръстите Ви или да се усуче около обработвания детайл.

#### Специални указания за безопасна работа при шлифование с шкурка

a) **Не използвайте твърде големи листове шкурка, спазвайте указанията на производителя за размерите на шкурката.** Листове шкурка, които се подават извън подложния диск, могат да предизвикат наранявания, както и да доведат до блокиране и разкъсване на шкурката или до възникване на откат.

#### Допълнителни указания за работа и безопасност

При шлифование на метали възниква искрене. Обърнете внимание да не бъдат застрашени хора. Поради опасност от пожар наблизно (в обсега на искрите) не бива да се намират горими материали. Да не се използва прахуоулавяне.

Пазете се от летящи искри и шлифовъчен прах.

Не бъркайте в опасната зона на движещия се нож!

Веднага изключете машината, ако се появят значителни вибрации или бъдат установени други нередности. Проверете машината за да установите причината.

Стружки или отчупени парчета да не се отстраняват, докато машина работи.

Не изхвърляйте изхабените акумулатори в огъня или в битовите отпадъци. Milwaukee предлага екологосъобразно събиране на старите акумулатори; моля попитайте Вашия специализиран търговец.

Не съхранявайте акумулаторите заедно с метални предмети (опасност от късо съединение).

Акумулатори от системата C12 да се зареждат само със зарядни устройства от системата C12 laden. Да не се зареждат акумулатори от други системи.

Не отваряйте акумулатори и зарядни устройства и ги съхранявайте само в сухи помещения. Пазете ги от влага.

При екстремно натоварване или екстремна температура от повредени акумулатори може да изтече батерийна течност. При допир с такава течност веднага измийте с вода и сапун. При контакт с очите веднага изплаквайте старателно най-малко 10 минути и незабавно потърсете лекар.

**Предупреждение!** За да избегнете опасността от пожар, предизвикана от късо съединение, както и нараняванията и повредите на продукта, не поталяйте инструмента, сменяемата акумулаторна батерия или зарядното устройство в течности и се погрижете в уредите и акумулаторните батерии да не попадат течности. Течностите, предизвикващи корозия или провеждащи електричество, като солена вода, определени химикали, изобелващи вещества или продукти, съдържачи изобелващи вещества, могат да предизвикат късо съединение.

#### ИЗПОЛЗВАНЕ ПО ПРЕДНАЗНАЧЕНИЕ

Уредът за шлайфане и полиране е подходящ за полиране и шлайфане на метални повърхности. Полировъчната машина може да се използва за полиране на боядисани повърхности, покрития, пластмаси и други гладки повърхности.

В случай на съмнение обърнете внимание на указанията на производителя на аксесоари.

Машината е подходяща само за употреба без вода.

#### УКАЗАНИЯ ЗА РАБОТА

Винаги да се използва допълнителната ръкохватка. Това важи също при машини с предпазен съединител, понеже той се задейства само при блокиране чрез импулс.

Обработваният детайл трябва да бъде фиксиран здраво, ако не е достатъчно тежък, за да стои стабилно от собственото си тегло. Никога не водете детайла с ръка срещу диска.

#### ПОДДРЪЖКА

Вентилационните шлицы на машината да се поддържат винаги чисти.

Да се използва само аксесоари на Milwaukee и резервни части на. Елементи, чията подмяна не е описана, да се дадат за подмяна в сервис на Milwaukee (вижте брошурата "Гарантия и адреси на сервиси").

При необходимост можете да поискате за уреда от Вашия сервис или директно от Techtronic Industries GmbH, Max-Eyth-Straße 10, 71364 Winnenden, Germany, чертеж за в случай на експлозия, като посочите типа на машината и номер върху заводската табелка.

#### СЕ - ДЕКЛАРАЦИЯ ЗА СЪОТВЕТСТВИЕ

Заявяваме под собствена отговорност, че описаният в "Технически данни" продукт съответства на всички важни разпоредби на директива 2011/65/EU (RoHS), 2014/30/EU, 2006/42/EO, както и на всички следващи нормативни документи във тази връзка.

EN 60745-1:2009+A11:2010  
EN 60745-2-3:2011 + A2:2013  
EN 55014-1:2006+A1:2009+A2:2011  
EN 55014-2:2015  
EN 50581:2012

Winnenden, 2017-11-30

Alexander Krug  
Managing Director



Упълномощен за съставяне на техническата документация  
Techtronic Industries GmbH  
Max-Eyth-Straße 10  
71364 Winnenden  
Germany

#### АКУМУЛАТОРИ

Акумулатори, които не са ползвани по-дълго време, преди употреба да се дозаредят.

Температура над 50°C намалява мощността на акумулатора. Да се избягва по-продължително нагряване на слънце или от отопление.

Поддържайте чисти присъединителните контакти на зарядното устройство и на акумулатора.

За оптимална продължителност на живот след употреба батериите трябва да се заредят напълно.

За възможно по-дълга продължителност на живот батериите трябва да се изваждат от уреда след зареждане.

При съхранение на батериите за повече от 30 дни: съхранявайте батерията при прикл. 27°C и на сухо място. Съхранявайте батерията при 30 до 50 % от заряда. Зареждайте батерията на всеки 6 месеца.

#### ПРЕВОЗ НА ЛИТИЕВО-ЙОННИ БАТЕРИИ

Литиево-йонните батерии са предмет на законовите разпоредби за превоз на опасни товари.

Превозът на тези батерии трябва да се извършва в съответствие с местните, националните и международните разпоредби и регламенти.

- Потребителите могат да превозват тези батерии по пътя без допълнителни изисквания.
- Превозът на литиево-йонни батерии от транспортни компании е предмет на законовите разпоредбите за превоз на опасни

товари. Подготовката на превоза и самият превоз трябва да се извършват само от обучени лица. Целият процес трябва да е под професионален надзор.

Спазвайте следните изисквания при превоз на батерии:

- Уверете се, че контактите са защитени и изолирани, за да се избегне късо съединение.
- Уверете се, че няма опасност от разместване на батерията в опаковката.
- Не превозвайте повредени батерии или такива с течове.

Обърнете се към Вашата транспортна компания за допълнителни инструкции.

#### СИМВОЛИ



**ВНИМАНИЕ! ПРЕДУПРЕЖДЕНИЕ! ОПАСНОСТ**



Преди започване на каквито е да е работи по машината извадете акумулатора.



Преди пускане на уреда в действие моля прочетете внимателно инструкцията за използване.



При работа с машината винаги носете предпазни очила.



Да се носят предпазни ръкавици!



Електрическите уреди, батерии/ акумулаторни батерии не трябва да се изхвърлят заедно с битовите отпадъци. Електрическите уреди и акумулаторни батерии трябва да се събират отделно и да се предават на службите за рециклиране на отпадъците според изискванията за опазване на околната среда. Информирайте се при местните служби или при местните специализирани търговци относно местата за събиране и центровете за рециклиране на отпадъци.



СЕ-знак

ØPmax = 76 mm

Максимална производителност при полиране

ØSmax = 51 mm

Максимална производителност при шлифование



Национален знак за съответствие - Украйна



EurAsian знак за съответствие.



DATE TEHNICE	M12 BPS
<b>Mașina de polizat/șlefuit</b>	
Număr producție	4477 93 03... ...000001-999999
Tensiune acumulator	12 V
Turație nominală, a 1-a treaptă	0-2800 min <sup>-1</sup>
Turație nominală, a 2-a treaptă	0-8300 min <sup>-1</sup>
Diametru roti lustruire	76 mm
Diametrul discului de polizat	51 mm
Filetul axului de lucru	M9x0,75
Greutatea conform „EPTA procedure 01/2003” (2,0 Ah)	1,0 kg
Greutatea conform „EPTA procedure 01/2003” (4,0 Ah)	1,2 kg
<b>Informație privind zgomotul/vibrațiile</b> Valori măsurate determinate conform EN 60 745. Nivelul de zgomot evaluat cu A al aparatului este tipic de: Nivelul presiunii sonore (Nesiguranță K=3dB(A)) Nivelul sunetului (Nesiguranță K=3dB(A))	68,24 dB(A) 79,20 dB(A)
<b>Purtați căști de protecție</b> Valorile totale de oscilație (suma vectorială pe trei direcții determinate conform normei EN 60745. Polizare Valoarea emisei de oscilații a <sub>n,p</sub> Nesiguranță K Șlefuire cu hârtie abrazivă Valoarea emisei de oscilații a <sub>n,ds</sub> Nesiguranță K	2,95 m/s <sup>2</sup> 1,83 m/s <sup>2</sup>  2,3 m/s <sup>2</sup> 1,5 m/s <sup>2</sup>

## AVERTISMENT

Gradul de oscilație indicat în prezentele instrucțiuni a fost măsurat în conformitate cu o procedură de măsurare normată prin norma EN 60745 și poate fi folosit pentru a compara uneltele electrice între ele. El se pretează și pentru o evaluare provizorie a solicitării la oscilații.

Gradul de oscilație indicat reprezintă aplicațiile principale ale uneltelor electrice. În cazul în care însă uneltele electrice au fost folosite pentru alte aplicații, ori au fost folosite uneltele de muncă diferite ori acestea nu au fost supuse unei suficiente inspecții de întreținere, gradul de oscilație poate fi diferit.

Acest fapt poate duce la o creștere netă a solicitărilor la oscilații dealungul întregii perioade de lucru.

În scopul unei evaluări exacte a solicitării la oscilații, urmează să fie luate în considerație și perioadele de timp în care aparatul a fost oprit ori funcționează dar, în realitate, el nu este folosit în mod practic. Acest fapt poate duce la o reducere netă a solicitărilor la oscilații dealungul întregii perioade de lucru.

Stabilități măsuri de siguranță suplimentare în scopul protecției utilizatorului de efectele oscilațiilor, de exemplu: inspecție de întreținere a uneltelor electrice și a celor de muncă, păstrarea caldă a mâinilor, organizarea proceselor de muncă.

**⚠️ AVERTIZARE! Citiți toate indicațiile de siguranță și toate instrucțiunile.** Nerespectarea indicațiilor de avertizare și a instrucțiunilor poate provoca electrocutare, incendii și/sau răniri grave.

**Păstrați toate indicațiile de avertizare și instrucțiunile în vederea utilizării viitoare.**

## ⚠️ INSTRUCȚIUNI DE SIGURANȚĂ PENTRU MAȘINA DE POLIZAT/ȘLEFUIT

**Avertismente comune pentru șlefuire cu hârtie abrazivă și lustruire:**

**a) Această sculă electrică se va folosi ca polizor și mașină specială de retezat cu disc abraziv. Respectați toate avertismentele, instrucțiunile, reprezentările și datele primite împreună cu scula electrică.** În cazul în care nu veți respecta următoarele instrucțiuni, se poate ajunge la electrocutare, incendii și/sau răniri grave.

**b) Această sculă electrică nu este adecvată polizarea de retezare și de degroșare și pentru lucrul cu perii de oțel.** Utilizarea sculei electrice la operații pentru care nu este concepută poate cauza pericole și accidentări.

**c) Nu folosiți dispozitive de lucru care nu sunt prevăzute și recomandate în mod special de către producător pentru această sculă electrică.** Faptul în sine că dispozitivul respectiv poate fi montat pe scula dumneavoastră electrică nu garantează în niciun caz utilizarea lui sigură.

**d) Numărul de rotații admis pentru elementele de montat în aparat, trebuie să fie la fel de mare ca numărul de rotații înscris pe acesta.** O rotire mai rapidă decât cea admisă le poate sparge sau azvîrli din aparat.

**e) Diametrul exterior și grosimea accesoriului de lucru utilizat trebuie să corespundă dimensiunilor specifice ale aparatului dumneavoastră.** Accesoriile de lucru măsurate greșit nu pot fi acoperite sau controlate suficient de bine.

**f) Filetul accesoriilor trebuie să corespundă cu filetul axului de polizat. La accesoriile ce se montează cu ajutorul unei flanșe, gaura accesoriului trebuie să corespundă cu diametrul FLANȘEI.** Accesoriile care nu se potrivesc cu aparatul nu merg rotund, vibrează prea tare și pot să ducă la pierderea controlului asupra aparatului.

**g) Nu folosiți dispozitive de lucru deteriorate. Înainte de fiecare utilizare controlați dacă dispozitivele de lucru ca discurile de șlefuit nu sunt sparte și fisurate, dacă discurile abrazive nu sunt fisurate, uzate sau foarte tocite, dacă perile de sârmă nu prezintă fire desprinse sau rupte. Dacă scula electrică sau dispozitivul de lucru cade pe jos, verificați dacă nu s-a deteriorat sau folosiți un dispozitiv de lucru nedeteriorat. După ce ați controlat și montat dispozitivul de lucru, țineți persoanele aflate în preajmă în afara planului de rotație al dispozitivului de lucru și lăsați scula electrică să funcționeze un minut la turația nominală. De cele mai multe ori, dispozitivele de lucru deteriorate se rup în această perioadă de probă.**

**h) Purtați echipament personal de protecție. În funcție de utilizare, purtați o protecție completă a feței, protecție pentru ochi sau ochelari de protecție. Dacă este cazul, purtați mască de protecție împotriva prafului, protecție auditivă, mănuși de protecție sau șorț special care să vă ferească de micile așchii și particule de material. Ochii trebuie protejați de corpurile străine aflate în zbor, apărute în cursul diferitelor aplicații. Masca de protecție împotriva prafului sau masca de protecție a respirației trebuie să filtreze praful degajat în timpul utilizării. Dacă sunteți expuși timp îndelungat zgomotului puternic, vă puteți pierde auzul.**

**i) Alte persoane aflate în preajmă trebuie să mențină o distanță de siguranță față de zona de lucru. Oricine intră în perimetrul de lucru trebuie să poarte îmbrăcăminte de protecție.** Bucățiile de material desprinse din piesă sau accesoriile de lucru rupte pot fi proiectate prin aer și pot provoca răniri chiar și în afara perimetrului de lucru.

**j) Țineți aparatul de mânerul izolat când executați lucrări la care scula tăietoare poate nimeri peste conductori electrici ascunși.** Contactul cu o linie conductoare de tensiune poate pune sub tensiune și componentele din metal ale aparatului, producând un scurt circuit.

**k) Nu lăsați niciodată aparatul din mână, atât timp cât accesoriul de lucru nu s-a oprit complet.** Accesoriul de lucru aflat în rotație poate intra în contact cu suprafața pe care este așezat și astfel puteți pierde controlul asupra aparatului.

**l) Nu lăsați scula electrică să funcționeze în timp ce o transportați.** În urma unui contact accidental cu dispozitivul de lucru care se rotește, acesta vă poate prinde îmbrăcăminte și chiar pătrunde în corpul dumneavoastră.

**m) Curățați regulat fantele de aerisire ale sculei dumneavoastră electrice.** Ventilatorul motorului atrage praf în carcasă iar acumularea puternică de pulberi metalice poate provoca pericole electrice.

**n) Nu utilizați aparatul în apropierea materialelor inflamabile.** Scântelele pot aprinde aceste materiale.

**o) Nu utilizați accesorii de lucru care necesită agenți de răcire fluizi.** Utilizarea apei sau a altor agenți de răcire fluizi poate provoca scurtcircuit.

## Recul și avertismente corespunzătoare

Recul este reacția bruscă apărută la agățarea sau blocarea unui dispozitiv de lucru care se rotește, cum ar fi un disc de șlefuit, un disc abraziv, o perie de sârmă, etc. Agățarea sau blocarea duce la oprirea bruscă a dispozitivului de lucru care se rotește. Aceasta face, ca scula electrică necontrolată să fie accelerată în punctul de blocare, în sens contrar direcției de rotație a dispozitivului de lucru.

Dacă, de exemplu, un disc de șlefuit se agăță sau se blochează în piesa de lucru, marginea discului de șlefuit care penetrează direct piesa de lucru se poate agăță în această și duce astfel la smulgerea discului de șlefuit sau poate provoca recul. Discul de șlefuit se va deplasa către operator sau în sens opus acestuia, în funcție de direcția de rotație a discului în punctul de blocare. În această situație discurile de șlefuit se pot chiar rupe.

Un recul este consecința utilizării greșite sau defectuoase a sculei electrice. El poate fi împiedicat prin măsuri preventive adecvate, precum cele descrise în continuare.

**a) Țineți bine scula electrică și aduceți-vă corpul și brațele într-o poziție în care să puteți controla forțele de recul.** Folosiți întotdeauna un mâner suplimentar, în caz că acesta există, pentru a avea un control maxim asupra forțelor de recul sau a momentelor de reacție la turații înalte. Operatorul poate stăpâni forțele de recul și de reacție prin măsuri preventive adecvate.

**b) Nu apropiați niciodată mâna de dispozitivele de lucru aflate în mișcare de rotație.** În caz de recul dispozitivul de lucru se poate deplasa peste mâna dumneavoastră.

**c) Evitați să staționați cu corpul în zona de mișcare a sculei electrice în caz de recul.** Reculul proiectează scula electrică într-o direcție opusă mișcării discului de șlefuit din punctul de blocare.

**d) Lucrați extrem de atent în zona colțurilor, muchiilor ascuțite, etc. Împiedicați ricoșarea dispozitivului de lucru de pe piesa de lucru și blocarea acestuia.** Dispozitivul de lucru aflat în mișcare de rotație are tendința să se blocheze în colțuri, pe muchii ascuțite sau când ricoșează în urma izbirii. Aceasta duce la pierderea controlului sau la recul.

**e) Nu utilizați discuri cu lanț sau discuri dințate.** Asemenea accesorii de lucru provoacă des recul sau pierderea controlului asupra aparatului.

## Avertismente speciale privind operațiile de lustruire

**a) Nu lăsați să atârne liber porțiuni ale discului de lustruit, în special șnururile de prindere ale acestuia. Îndepărtați sau scurtați șnururile de prindere.** Șnururile de prindere care atâră liber, rotindu-se împreună cu discul de lustruit vă pot apuca degetele sau se pot agăță în piesa de lucru.

## Avertismente speciale privind șlefuirea cu hârtie abrazivă

**a) Nu întrebuințați foi abrazive supradimensionate ci respectați indicațiile fabricantului privitoare la dimensiunile foilor abrazive.** Foile abrazive care depășesc marginile discului abraziv, pot cauza răniri precum și agățarea, ruperea foilor abrazive, sau pot duce la recul.

## Instrucțiuni suplimentare de siguranță și de lucru

Când se șlefuieste metal, se produc scântei zburătoare. Aveți grijă că nici o persoană să nu fie pusă în pericol. Datorită pericolului de incendiu, nici un material combustibil nu trebuie să fie amplasat în vecinătate (în zona de zbor a scânteiilor)

Evitați faptul ca scântelele zburătoare și praful de le șlefuit să atingă corpul.

Nu intrați niciodată în zona de pericol a rindelei când este în funcțiune.

Oprii imediat mașina în caz de vibrații puternice sau dacă apar alte defecțiuni. Verificați mașina pentru depistarea cauzei.

Rumegușul și spanul nu trebuie îndepărtate în timpul funcționării mașinii.

Nu aruncați acumulatorii uzați la containerul de reziduri menajere și nu îi ardeți. Milwaukee Distributors se oferă să recupereze acumulatorii vechi pentru protecția mediului înconjurător.

Nu depozitați acumulatorul împreună cu obiecte metalice (risc de scurtcircuit)

Folosiți numai încărcătoare System C12 pentru încărcarea acumulatorilor System C12. Nu folosiți acumulatori din alte sisteme.

Nu deschideți niciodată acumulatorii și încărcătoarele și pastrați-le numai în încăperi uscate. Pastrați-le întotdeauna uscate.

Acidul se poate scurge din acumulatorii deteriorați la încălcări sau temperaturi extreme. În caz de contact cu acidul din acumulator, spălați imediat cu apă și săpun. În caz de contact cu ochii, clătiți cu atenție timp de cel puțin 10 minute și apelați imediat la îngrijire medicală.

**Avertisare!** Pentru a reduce pericolul unui incendiu i evitarea r/nirilor sau deteriorarea produsului în urma unui scurtcircuit nu imersai scula, acumulatorul de schimb sau înc/rc/torul în lichide i asigurai-v/ si nu p/trund/ lichide în aparate i acumulatori. Lichidele corosive sau cu conductibilitate, precum apa s/rat/, anumite substane chimice i în/lbitori sau produse ce conin în/lbitori, pot provoca un scurtcircuit.

## CONDIȚII DE UTILIZARE SPECIFICATE

Aparatul de șlefuit și polizat este indicat pentru șlefuirea și polizarea suprafețelor metalice. Mașina de lustruit poate fi utilizată pentru lustruirea lacurilor, acoperirilor, materialelor plastice și altor suprafețe netede.

În caz de dubiu, țineți cont de indicațiile fabricantilor de accesorii.

Mașina electrică este indicată doar pentru prelucrare uscată.

## INDICAȚII DE LUCRU

Utilizați întotdeauna mânerul auxiliar.

Piesa de prelucrat trebuie fixată dacă nu este suficient de grea pentru a fi stabilă. Nu îndreptați niciodată piesa de prelucrat către discul polizorului cu mâna.

## INTREȚINERE

Fantele de aerisire ale mașinii trebuie să fie menținute libere tot timpul

Utilizați numai accesorii și piese de schimb Milwaukee. Dacă unele din componentele care nu au fost descrise trebuie înlocuite, vă rugăm contactați unul din agenții de service Milwaukee (vezi lista noastră pentru service / garanție)

Dacă este necesară, se poate comanda o imagine descompusă a sculei. Vă rugăm menționați numărul art. Precum și tipul mașinii tipărit pe etichetă și comandați desenul la agenții de service locali sau direct la Techtronic Industries GmbH, Max-Eyth-Straße 10, 71364 Winnenden, Germany.

## DECLARAȚIE DE CONFORMITATE

Declarăm pe propria răspundere că produsul descris la "Date tehnice" este în concordanță cu toate prevederile legale relevante ale Directivei 2011/65/EU (RoHS), 2014/30/UE, 2006/42/CE și cu următoarele norme armonizate:

EN 60745-1:2009+A11:2010  
EN 60745-2-3:2011 + A2:2013  
EN 55014-1:2006+A1:2009+A2:2011  
EN 55014-2:2015  
EN 50581:2012

Winnenden, 2017-11-30



Alexander Krug  
Managing Director



Împuternicit să elaboreze documentația tehnică.

Techtronic Industries GmbH  
Max-Eyth-Straße 10  
71364 Winnenden  
Germany

## ACUMULATORI

Acumulatorii care nu au fost utilizați o perioadă de timp trebuie reîncărcați înainte de utilizare.

Temperatura mai mare de 50°C (122°F) reduce performanța acumulatorului. Evitați expunerea prelungită la căldură sau radiație solară (risc de supraîncălzire)

Contactele încărcătoarelor și acumulatorilor trebuie păstrate curate.

În scopul optimizării duratei de funcționare, bateriile trebuie reîncărcate complet după utilizare.

Pentru o durată de viață cât mai lungă, acumulatorii ar trebui scoși din încărcător după încărcare.

La depozitarea acumulatorilor mai mult de 30 zile: Acumulatorii se depozitează la cca. 27°C și la loc uscat. Acumulatorii se depozitează la nivelul de încărcare de cca. 30%-50%.

Acumulatorii se încarcă din nou la fiecare 6 luni.

## TRANSPORTUL ACUMULATORILOR CU IONI DE LITIU

Acumulatorii cu ioni de litiu cad sub incidența prescripțiilor legale pentru transportul de mărfuri periculoase.

Transportul acestor acumulatori trebuie să se efectueze cu respectarea prescripțiilor și reglementărilor pe plan local, național și internațional.

- Consumatorilor le este permis transportul rutier nerestricționat al acestui tip de acumulatori.
- Transportul comercial al acumulatorilor cu ioni de litiu prin intermediul firmelor de expediție și transport este supus reglementărilor transportului de mărfuri periculoase. Pregătirile pentru expediție și transportul au voie să fie efectuate numai de către personal instruit corespunzător. Întregul proces trebuie asistat în mod competent.

Următoarele puncte trebuie avute în vedere la transportul acumulatorilor:

- Pentru a se evita scurtcircuitate, asigurați-vă de faptul că sunt protejate și izolate contactele.
- Aveți grijă ca pachetul de acumulatori să nu poată aluneca în altă poziție în interiorul ambalajului său.
- Este interzis transportarea unor acumulatori deteriorați sau care pierd lichid.

Pentru indicații suplimentare adresați-vă firmei de expediție și transport cu care colaborați.

## SYMBOLURI



PERICOL! AVERTIZARE! ATENȚIE!



Îndepărtați acumulatorul înainte de începerea lucrului pe mașina



Vă rugăm citiți cu atenție instrucțiunile înainte de pornirea mașinii



Purtați întotdeauna ochelari de protecție când utilizați mașina.



Purtați mănuși de protecție!



Aparatele electrice, bateriile/acumulatorii nu se elimină împreună cu deșeurile menajere. Aparatele electrice și acumulatorii se colectează separat și se predau la un centru de reciclare, în vederea eliminării ecologice. Informații-vă de la autoritățile locale sau de la comerțanții acreditați în legătură cu centrele de reciclare și de colectare.



Marcaj CE

ØPmax = 76 mm

Capacitatea maximă de polizare

ØSmax = 51 mm

Capacitatea maximă de șlefuire



Marcaj național de conformitate Ucraina



Marcaj de conformitate EurAsian.

## ТЕХНИЧКИ ПОДАТОЦИ

Машината за полирање/брусене	M12 BPS
Произведен број	4477 93 03... ...000001-999999
Волтажа на батеријата	12 V
Номинална брзина, 1ва брзина	0-2800 min <sup>-1</sup>
Номинална брзина, 2ра брзина	0-8300 min <sup>-1</sup>
Дијаметар полирање тркала	76 mm
Пречник на плочите за брусене	51 mm
Срце на работната оска	M9x0,75
Тежина според ЕПТА-процедурата 01/2003 (2,0 Ah)	1,0 kg
Тежина според ЕПТА-процедурата 01/2003 (4,0 Ah)	1,2 kg
<b>Информација за бучавата/вибрациите</b> Измерените вредности се одредени согласно стандардот EN 60 745. А-оценетото ниво на бучава на апаратот типично изнесува: Ниво на звучен притисок. (Несигурност K=3dB(A)) Ниво на јачина на звук. (Несигурност K=3dB(A)) <b>Носте штитник за уши.</b> Вкупни вибрациски вредности (векторски збир на трите насоки) пресметани согласно EN 60745. Полски Вибрациска емисиона вредност a <sub>n,p</sub> Несигурност K Ленти од хартија за шмирглање Вибрациска емисиона вредност a <sub>n,DS</sub> Несигурност K	68,24 dB(A) 79,20 dB(A)  2,95 m/s <sup>2</sup> 1,83 m/s <sup>2</sup>  2,3 m/s <sup>2</sup> 1,5 m/s <sup>2</sup>

## ПРЕДУПРЕДУВАЊЕ

Нивото на осцилација наведено во овие инструкции е измерено во согласност со мерните постапки нормирани во EN 60745 и може да биде употребено за меѓусебна споредба на електро-алати. Ова ниво може да се употреби и за привремена проценка на оптоварувањето на осцилацијата.

Наведеното ниво на осцилација ги репрезентира главните намени на електро-алатот. Но, доколку електро-алатот се употребува за други намени, со отстапувачки додатоци или со несоодветно одржување, нивото на осцилација може да отстапи. Тоа може значително да го зголеми оптоварувањето на осцилацијата за време на целиот работен период.

За прецизна проценка на оптоварувањето на осцилацијата предвид треба да бидат земени и времињата, во коишто апаратот е исклучен или работи, но фактички не се употребува. Тоа може значително да го намали оптоварувањето на осцилацијата за време на целиот работен период

Утврдете дополнителни безбедносни мерки за заштита на операторот од влијанието на осцилациите, како на пример: одржување на електро-алатот и на додатоци кон електро-алатот, одржување топли раце, организација на работните процеси.

**⚠ ВНИМАНИЕ!** Прочитајте ги безбедносните напомени и упатства. Заборавање на почитувањето на безбедносните упатства и инструкции можат да предизвикаат електричен удар, пожар и/или тешки повреди.  
**Сочувајте ги сите безбедносни упатства и инструкции за во иднина.**

## ⚠ БЕЗБЕДНОСНИ НАПОМЕНИ ЗА МАШИНАТА ЗА ПОЛИРАЊЕ/БРУСЕЊЕ

Заведнички безбедносни упатства маझेње со хартија за шмирглање и полски.

**a) Овој електро-алат треба да се употребува како шлајферица со хартија за шмирглање и машина за полски. Почитувајте ги сите безбедносни упатства, упатства за работа, прикази и податоци што ги добивате заедно со електричниот алат.** Доколку не ги почитувате следните упатства, може да дојде до електричен удар, до пожар и/или до тешки повреди.

**b) Овој електро-алат не е наменет за за брусене, работа со жичани четки и брусилки за сечење.** Сепакви употреби, за кои овој алат не е предвиден, можат да предизвикаат загрозувања и повреди.

**c) Не употребувајте прибор што не е предвиден и препорачан од производителот специјално за овој електро-алат.** Доколку извесен прибор можете да го прицврстите на вашиот електричен алат, тоа не претставува гаранција за сигурно употреба.

**d) Бројот на вртежи на алатот, којшто се употребува, мора да биде нај-малку толку висок како и бројот на вртежите на**

**вашиот електро-алат.** Додатокот, којшто се врти побрзу, може да се скрши и да излета.

**e) Надворешниот пресек и дебелината на орудијата кои што се применуваат мора да соодветствуваат со мерните информации на Вашето електро-орудие.** Погрешно измерени орудија за употреба не можат во доволна мерка да бидат заштитени или контролирани.

**f) Навојот на деловите на опремата мора да е во склад со навојот на вретеното за брусене.** Кај деловите од опремата кои што се монтираат со помош на фланш, избушениот отвор на делот од опремата мора да е во склад со пречникот на ФЛАНШОТ. Делови од опремата кои што не одговараат на апаратот работат неправилно, пресилено вибрираат и можат да доведат до губење на контролата врз апаратот.

**g) Не употребувајте оштетен прибор.** Пред секоја употреба извршете контрола, како на пример на диските за брусене по однос на расцепи и пукнатини, на подножјата за брусене по однос на пукнатини, изабаност или голема искористеност, на четките со жици по однос на лабави или скршени жици. Ако електро-алатот или приборот паднат, проверете, дали тие со оштетени или употребете неоштетен прибор. Ако приборот сте го провериле и го употребувате, тогаш вие и лицата, кои се наоѓаат во близина, треба да бидете вон доменот на ротирачкиот прибор и оставете го приборот да работи една минута со максимален број на вртежи. Оштетениот прибор најчесто се крши во овој тест-период.

**h) Носете опрема за лична заштита.** Зависно од употребата, користете целосна визуелна заштита, заштита за очите или заштитни очила. Доколку е потребно, носете маска за

заштита од прашина, заштита за ушите, заштитни ракавици или специјална прстилка, со која се заштитувате од ситни честички од шљафувањето и од материјалот. Очите треба да бидат заштитени од страни тела што се разлетуваат наоколу, а кои настануваат при различни употреби. Заштита маска од прашина и за дишење мора да ја филтрираат прашина што се создава при работата. Доколку сте подолго време изложени на гласна бучава, тоа може да предизвика губење на слухот.

i) **Кај други лица обратете внимание на безбедно растојание кон Вашето подрачје на работење. Секој кој што влегува во работното подрачје мора да носи лична заштитна опрема.** Делови од парчето кое што се работи или скршено орудие кое што се употребува може да летне и да предизвика повреди и вон директното подрачје на изведување на работите.

j) **Држете го електричниот алат за издадените површини при изведување на операции при кои алатот за сечење можат да дојдат во контакт со скриени жици.** Контактот со вод кој што спроведува напон може да доведе и метални делови од апаратот под напон и да доведе до електричен удар.

k) **Никогаш не го оставајте електро-орудието око орудие то за применување не е дојдено во потполно мирување.** Орудие то за примена кое што се врти може да дојде во контакт со подлогата за оставање со што би можеле да ја изгубите контролата врз електро-орудието.

l) **Не оставајте го електро-алатот да работи додека го носите.** Вашата облека може да биде закачена преку случаен контакт со приборот што се врти, при што тој може да навлезе во вашето тело.

m) **Редовно чистете го отворот за проветрување на вашиот електро-алат.** Вентилаторот на моторот влече прашина во куќиштето, а големо насобирање на метална прашина може да предизвика електрични опасности.

n) **Не го употребувајте електро-орудието во близина на запаливи материјали.** Искрите би можеле да ги запалат овие материјали.

o) **Не употребувајте орудие за примена, кои што изискуваат течни средства за ладење.** Употребата на вода или други течни средства за ладење може да доведат до електричен удар.

#### Повратен удар и референтни безбедносни упатства

Повратниот удар претставува неочекувана реакција како последица на заглавен или блокиран прибор што се врти, како на диск за брусење, подножје за брусење, четка со жица итн. Заглавувањето или блокирањето доведува до неодоливо стопирање на ротирачкиот прибор. На тој начин неконтролираниот електро-алат се забрзува во спротивна насока од насоката на вртење на приборот во точката на спојување.

Доколку, на пример, диск за брусење е заглавен или блокиран во материјалот, работ на дискот за брусење што навлегува во материјалот, може да се закачи и на тој начин да дојде до излегување на дискот или да се предизвика повратен удар. Во таков случај дискот за брусење се движи или кон операторот или настрана од него, зависно од насоката на вртење на дискот во точката на спојување. Притоа дисковите за брусење можат исто така и да се скршат.

Повратен удар претставува последица од погрешна или неисправна употреба на електро-алатот. Тој може да биде избегнат со соодветни мерки на претпазливост, како што се опишани подолу.

a) **Држете го електро-алатот цврсто и поставете ги вашето тело и вашите раце во позиција, со која ќе можете да дадете отпор на силите од повратниот удар.** Секогаш употребувајте ја додатната рачка, доколку постои, за да можете да имате максимална можна контрола над силите од повратниот удар или на моментите на реакција при пуштање во работа. Операторот може да ги контролира силите на повратниот удар и реакционите сили со преземање соодветни мерки на претпазливост.

b) **Никогаш не поставувајте ја вашата рака во близина на прибор што се врти.** Во случај на повратен удар, приборот може да биде исфрлен врз вашата рака.

c) **Избегнувајте го со вашето тело местото, во кое електро-алатот се движи во случај на повратен удар.** Повратниот

удар го води електро-алатот во спротивна насока од насоката на движење на дискот за брусење на местото за спојување.

d) **Работете особено внимателно кај агли, остри рабови итн. Спречувајте ситуации, во кои приборот се одбива од и заглавува во материјалот за обработка.** Кај агли, остри рабови или во случај на одбивање ротирачкиот прибор е склон кон заглавување. Тоа предизвикува губење на контролата или повратен удар.

e) **Не употребувајте лист за пилење со ланци или запчаници.** Таквите орудие за примена честопати предизвикуваат повратен удар или губење на котролата врз електро-орудието.

#### Специјални безбедносни упатства за мазнење со хартија за шмирглање:

a) **Не употребувајте прекудимензиониран листови за мазнење.** Следете ги податоците на производителот по однос на големината на листот за мазнење. Листови за шмирглање што зјаат надвор од подлогата за мазнење, можат да предизвикаат повреди како и блокирање, кинење на листовите или да доведат до повратен удар.

#### Останати безбедносни и работни упатства

При глодање на метал, се создаваат летечки искри. Погрижете се луѓето да не бидат загрознени. Поради ризик од пожар, запалливи матери не смеат да бидат лоцирани во близина (зона на искрење). Не користете издув за прав.

Избегнувајте искри и прашина од брусењето да го погодат телото. Никогаш не посегнувајте во зоната на опасната работна површина при вклучена машина.

Во случај на значителни вибрации или појава на други неправилности веднаш исклучете ја машината со цел да ја најдете причината за нив.

Прашината и струготините не смеат да се одстрануваат додека е машината работи.

Не ги оставајте искористените батерии во домашниот отпад и не горете ги. Дистрибутерите на Милвоки ги собираат старите батерии, со што ја штитат нашата околина.

Не ги чувајте батериите заедно со метални предмети (ризик од краток спој).

Користете исклучиво Систем С12 за полнење на батерии од С12 систем. Не користете батерии од друг систем.

Не ги отворајте насилно батериите и полначите, и чувајте ги само на суво место. Чувајте ги постојано суви.

Киселината од оштетените батериите може да истече при екстрем напон или температури. Доколку дојдете во контакт со исатата, измијте се веднаш со сапун и вода. Во случај на контакт со очите плакнете ги убаво најмалку 10 минути и задолжително одете на лекар.

**Предупредување!** За да избегнете опасноста од пожар, од наранувања или од оштетување на производот, коишто ги создава краток спој, не ја потопувајте во течност алатката, заменливата батерија или полначот и пазете во уредите и во батериите да не проникнуваат течности. Корозивни или електроспроводливи течности, како солена вода, одредени хемикалии, избелувачки препарати или производи кои содржат избелувачки супстанции, можат да предизвикаат краток спој.

#### СПЕЦИФИЦИРАНИ УСЛОВИ НА УПОТРЕБА

Апаратот за мазнење и полирање е наменет за мазнење и полирање лакирани, заштитени, пластични и други мазни површини.

Во секој случај почитувајте ги упатствата на производителите на приборот.

Електричното орудие е прикладно само за сува обработка.

#### РАБОТНИ УПАТСТВА

Секогаш користете ја помошната рачка.

Работни предмети кои што се обработуваат мора да бидат цврсто стегнати доколку не се држи со самата своја тежина. Работните предмети никогаш да не се водат рачно према плочата.

#### ОДРЖУВАЊЕ

Вентилациските отвори на машината мора да бидат комплетно отворени постојано.

Користете само Milwaukee додатоци и резервни делови. Доколку некои од компонентите кои не се опишани треба да бидат заменети, Ве молиме контактирајте ги сервисните агенти на Milwaukee (консултирајте ја листата на адреси).

Доколку е потребно можно е да биде набавен детален приказ на алатот. Ве молиме наведете го бројот на артиклот како и типот на машина кој е отпечатен на етикетата и порачајте ја скицата кај локалниот застапник или директно кај: Techtronic Industries GmbH, Max-Eyth-Straße 10, 71364 Winnenden, Germany.

#### ЕУ-ДЕКЛАРАЦИЈА ЗА СООБРАЗНОСТ

Во своја сопствена одговорност изјавуваме дека под "Технички податоци" опишаниот производ е во склад со сите релевантни прописи од регулативата 2011/65/EU (RoHS), 2014/30/EU, 2006/42/EC и следните хармонизирачки нормативни документи:

EN 60745-1:2009+A11:2010

EN 60745-2-3:2011 + A2:2013

EN 55014-1:2006+A1:2009+A2:2011

EN 55014-2:2015

EN 50581:2012

Winnenden, 2017-11-30

Alexander Krug  
Managing Director



Ополномоштен за составување на техничката документација.

Techtronic Industries GmbH  
Max-Eyth-Straße 10  
71364 Winnenden  
Germany

#### БАТЕРИИ

Подолг период неупотребувани комплети батерии да се наполнат пред употреба.

Температура повисока од 50°C (122°F) го намалуваат траењето на батериите. Избегнувајте подолго изложување на батериите на високи температури или сонце (ризик од прегревање).

Клемите на полначот и батериите мора да бидат чисти.

За оптимален работен век батериите мора да се наполнат целосно по употреба.

За добро подолг век на траење, апаратите после нивното полнење треба да бидат извадени од апаратот за полнење на батериите.

Во случај на складирање на батеријата подолго од 30 дена:

Акумулаторот да се чува на температура од приближно 27°C и на суво место.

Акумулаторот да се складира на приближно 30%-50% од состојбата на наполнетост.

Акумулаторот повторно го се наполни на секои 6 месеци.

#### ТРАНСПОРТ НА ЛИТИУМ-ЈОНСКИ БАТЕРИИ

Литиум-јонските батерии подлежат на законските одредби за транспорт на опасни материи.

Транспортот на овие батерии мора да се врши согласно локалните, националните и меѓународните прописи и одредби.

- Потрошувачите на овие батерии може да вршат непречен патен транспорт на истите.
- Комерцијалниот транспорт на литиум-јонски батерии од страна на шпедитерски претпријатија подлежат на одредбите за транспорт на опасни материи. Подготовките за шпедиција и транспорт треба да ги вршат исклучиво соодветно обучени лица. Целокупниот процес треба да биде стручно надгледуван.

При транспортот на батерии треба да се внимава на следното:

- Осигурајте се дека контактите се заштитени и изолирани, а се тоа со цел да се избегнат кратки споеви.

- Внимавајте да не дојде до измествување на батериите во нивната амбалажа.
- Забранет е транспорт на оштетени или протечени литиум-јонски батерии.

За понатамошни инструкции обратете се до Вашето шпедитерско претпријатие.

#### СИМБОЛИ



**ВНИМАНИЕ! ПРЕДУПРЕДУВАЊЕ! ОПАСНОСТ!**



Извадете го батерискиот склоп пред отпочнување на каков и да е зафат врз машината.



Ве молиме пред да ја стартувате машината обрнете внимание на упатствата за употреба.



Секогаш при користење на машината носете ракавици.



Носете ракавици!



Електричните апарати и батериите што се полнат не смеат да се фрлат заедно со домашниот отпад.

Електричните апарати и батериите треба да се собираат одделно и да се однесат во соодветниот погон заради нивно фрлање во склад со начелата за заштита на околината. Информирајте се кај Вашите местни служби или кај специјализираниот трговски претставник, каде има такви погони за рециклажа и собирни станици.



СЕ-знак

ØPmax = 76 mm

Максимален учинок на полирање

ØSmax = 51 mm

Максимален учинок на брусење



TR 066



Национален конформитетски знак за Украина

EurAsian (Евроазиски) знак на конформитет.



ТЕХНІЧНІ ХАРАКТЕРИСТИКИ	M12 BPS
<b>Полірувальна/шліфувальна машина</b>	
Номер виробу	4477 93 03... ...000001-999999
Напруга змінної акумуляторної батареї	12 V
Номінальна кількість обертів на 1-й передачі	0-2800 min <sup>-1</sup>
Номінальна кількість обертів на 2-й передачі	0-8300 min <sup>-1</sup>
Діаметр полірувального диска	76 mm
Діаметр шліфувального диска	51 mm
Різьба шпинделя	M9x0,75
Вага згідно з процедурою EPTA 01/2003	1,0 kg
Вага згідно з процедурою EPTA 01/2003	1,2 kg
<b>Шум / інформація про вібрацію</b> Виміряні значення визначені згідно з EN 60 745. Рівень шуму „А“ приладу становить в типовому випадку: Рівень звукового тиску (похибка K = 3 дБ(A)) Рівень звукової потужності (похибка K = 3 дБ(A))	68,24 dB(A) 79,20 dB(A)
<b>Використовувати засоби захисту органів слуху!</b> Сумарні значення вібрації (векторна сума трьох напрямків), встановлені згідно з EN 60745.	
Полірування Значення вібрації a <sub>h</sub> похибка K =	2,95 m/s <sup>2</sup> 1,83 m/s <sup>2</sup>
Шліфування з наждачним папером Значення вібрації a <sub>h</sub> похибка K =	2,3 m/s <sup>2</sup> 1,5 m/s <sup>2</sup>

## ПОПЕРЕДЖЕННЯ!

Рівень вібрації, вказаний в цій інструкції, вимірювався згідно з методом вимірювання, нормованим стандартом EN 60745, і може використовуватися для порівняння електроінструментів. Він призначений також для попередньої оцінки навантаження від вібрації.

Вказаний рівень вібрації відповідає основним сферам використання електроінструменту. Але якщо електроінструмент використовується для іншої мети, з іншими вставними інструментами або при недостатньому технічному обслуговуванні, рівень вібрації може бути іншим. Це може значно підвищити навантаження від вібрації за весь період роботи.

Для точної оцінки навантаження від вібрації необхідно також враховувати час, коли прилад вимкнений або увімкнений, але фактично не використовується. Це може значно зменшити навантаження від вібрації за весь період роботи.

Визначте додаткові заходи безпеки для захисту оператора від дії вібрації, наприклад: Технічне обслуговування електроінструменту та вставних інструментів, зігрівання рук, організація робочих процесів.

**⚠ ПОПЕРЕДЖЕННЯ! Прочитайте всі вказівки з техніки безпеки та інструкції.** Упущення при дотриманні вказівок з техніки безпеки та інструкції можуть призвести до ураження електричним струмом, пожежі та/або тяжких травм. Зберігайте всі вказівки з техніки безпеки та інструкції на майбутнє.

## ⚠ ВКАЗІВКИ З ТЕХНІКИ БЕЗПЕКИ ДЛЯ ПОЛІРУВАЛЬНОЇ/ШЛІФУВАЛЬНОЇ МАШИНИ

Загальні вказівки з техніки безпеки при поліруванні та шліфуванні з наждачним папером.

a) Цей електроінструмент слід використовувати як полірувальну та шліфувальну машину з наждачним папером. Дотримуйтеся усіх вказівок з техніки безпеки, інструкцій, зображень та даних, які ви отримаєте разом з цим електроінструментом. Недотримання наведених далі інструкцій може спричинити ураження електричним струмом, пожежу та/або тяжкі травми.

b) Цей електроінструмент не підходить для відрізання шліфувальним диском та чорного шліфування, а також для роботи з дрютяними щітками. Використання для цілей, не передбачених для цього електроінструменту, може спричинити небезпеку та травми.

c) Не використовуйте комплектуючі, які не передбачені або не рекомендовані виробником спеціально для цього електроінструменту. Той факт, що комплектуючі вдається закріпити в електроінструменті, ще не гарантує їх безпечного використання.

d) Допустима кількість обертів вставного інструменту має бути не меншою, ніж максимальна кількість обертів, вказана на електроінструменті.

Комплектуючі, що обертаються швидше, ніж дозволено, можуть зламатися і відлетіти.

e) **Зовнішній діаметр та товщина вставного інструмента повинні відповідати даним вашого електроінструмента.** Неправильний розмір вставних інструментів може бути причиною того, що вони недостатньо закриті захисними пристроями або їх важко контролювати.

f) Вставні інструменти, фланці, шліфувальні тарілчасті диски або інші комплектуючі повинні точно підходити до шліфувального шпинделя вашого електроінструменту. Вставні інструменти, що не точно підходять до шліфувального шпинделя електроінструменту, обертаються нерівномірно, дуже сильно вібрують та можуть призвести до втрати контролю.

g) Не використовуйте пошкоджені вставні інструменти. Перед кожним використанням перевіряйте вставні інструменти, наприклад, шліфувальні диски, на наявність сколів та тріщин, шліфувальні тарілчасті диски на наявність тріщин, ознаки зносу або сильного стирання, дрютяні щітки на наявність незакріплених або поламаних дрютів. Якщо електроінструмент або вставний інструмент впаде, перевірте, чи він не пошкоджений, або використовуйте непошкоджений вставний інструмент. Якщо ви перевірили та встановили вставний інструмент, вам та особам, які знаходяться поблизу, необхідно триматися поза зоною дії вставного інструменту, що обертається, і нехай електроінструмент одну хвилину попрацює з максимальною частотою обертів. Пошкоджені вставні інструменти у більшості випадків ламаються під час такого випробування.

h) Носити індивідуальні засоби захисту. Залежно від виду робіт користуватися маскою для захисту всього обличчя, засобом для захисту очей або захисними окулярами. Якщо

необхідно, одягніть маску для захисту від пилу, засоби захисту органів слуху, захисні рукавиці або спеціальний фарфух, який затримує малі частинки від шліфування та часточки матеріалу.

Необхідно захищати очі від часточок та деталей, що можуть відлітати під час різних видів застосувань. Фільтруюча захисна маска або маска для захисту від пилу необхідні для фільтрації пилу, що виникає під час роботи. Якщо на органи слуху тривалий час діє гучний шум, це може призвести до втрати слуху.

i) **Зверніть увагу, що інші особи мають дотримуватися безпечної відстані від вашої робочої області. Кожний, хто входить в робочу область, повинен одягти індивідуальні засоби захисту.**

Частинки заготовки або уламки вставних інструментів можуть відлітати та спричиняти травми навіть за межами безпосередньої робочої області.

j) **Під час виконання робіт тримайте прилад за ізольовані поверхні рукояток, якщо вставний інструмент може натрапити на приховані електричні лінії.**

Контакт з лінією під напругою може призвести до появи напруги в металевих частинах приладу та до ураження електричним струмом.

k) **Ніколи не кладіть електроінструмент, доки вставний інструмент не зупиниться повністю.** Вставний інструмент, який обертається, може зіткнутися із поверхнею стійки, що може призвести до втрати контролю над електроінструментом.

l) **Регулярно чистити вентиляційні отвори електроінструменту.** Вентилятор двигуна втягує в корпус пил, велике скупчення металевого пилу може призводити до небезпеки, пов'язаної з електричними приладами.

m) **Не користуйтеся електроінструментом поблизу горючих матеріалів.**

Іскри можуть призвести до займання матеріалів.

n) **Не використовувати вставні інструменти, які вимагають рідких засобів для охолодження.**

Використання води або інших рідких охолоджувальних засобів може призвести до ураження електричним струмом.

## Віддача та відповідні вказівки з техніки безпеки

Віддача - це раптова реакція внаслідок заклинювання або блокування вставного інструмента, який обертається. Заклинювання або блокування веде до раптової зупинки вставного інструмента, який обертається. Внаслідок цього неконтрольований електроінструмент отримує прискорення в напрямку, протилежному напрямку обертання вставного інструмента в точці блокування.

**Міцно тримати електроінструмент, тіло та руки мають бути в такому положенні, при якому вони можуть компенсувати сили віддачі.** Завжди використовуйте додаткову рукоятку, якщо вона є, щоб в максимальній мірі контролювати сили віддачі або зворотні моменти при розгоні.

Користувач може відповідними запобіжними заходами управляти віддачею та зворотними силами.

**Ніколи не наближайте руки до вставних інструментів, які обертаються.**

Вставний інструмент може при віддачі вирватися з рук.

**Триматися за межами ділянки, куди рухається електроінструмент при віддачі.**

Віддача спрямовує електроінструмент в напрямку, протилежному напрямку руху шліфувального диска в місці блокування.

**Особливо обережно слід працювати на ділянках кутів, гострих кромок та ін. Запобігайте відскакуванню від заготовок та заклинюванню вставних інструментів.**

Вставний інструмент, який обертається, може заклинюватися на кутах, гострих кромках або при відскоках. Це призводить до втрати контролю та до віддачі.

**Не використовувати ланцюгове або зубчате пилокве полотно.** Такі вставні інструменти часто спричиняють віддачу або втрату контролю над електроінструментом.

**Спеціальні вказівки з техніки безпеки при поліруванні**

**Не допускайте ослаблення кріплення деталей полірувального чохла, зокрема, шнурів для кріплення. Укладіть або вкоротіть шнури для кріплення.** В шнури, що висять або обертаються,

можуть потрапити ваші пальці, або вони можуть заплутатися навколо заготовки.

**Особливі вказівки з техніки безпеки для шліфування з наждачним папером:**

**Не використовувати шліфувальні диски занадто великих розмірів, виконувати вказівки виробника щодо розміру шліфувальних дисків.**

Шліфувальні диски, що виступають за краї шліфувального тарілчастого диску, можуть спричинити травми, а також приводити до блокування, розриву диску або до віддачі.

## ДОДАТКОВІ ІНСТРУКЦІ З ТЕХНІКИ БЕЗПЕКИ ТА ЕКСПЛУАТАЦІЇ

При шліфуванні металу виникає іскріння. Звертати увагу на те, щоб не створювати небезпеку для інших людей. Якщо є небезпека загоряння, на ділянці іскріння не повинні знаходитися горючі матеріали. Не використовувати засоби для відсмоктування пилу.

Уникати потрапляння іскор та пилу від шліфування на тіло.

Не засовувати руку у небезпечну зону працюючих ножів!

Негайно вимкнути прилад, якщо виникає помітна вібрація або інші небажані явища. Перевірте машину, щоб встановити причину.

Не можна видаляти стружку або уламки, коли машина працює.

Відпрацьовані змінні акумуляторні батареї не можна кидати у вогонь або викидати з побутовими відходами. Milwaukee пропонує утилізацію старих змінних акумуляторних батарей, безпечно для довкілля; зверніться до свого дилера.

Не зберігати змінні акумуляторні батареї разом з металевими предметами (небезпека короткого замикання).

Змінні акумуляторні батареї системи M12 заряджати лише зарядними пристроями системи M12. Не заряджати акумуляторні батареї інших систем.

Не відкривати змінні акумуляторні батареї і зарядні пристрої та зберігати їх лише в сухих приміщеннях. Берегти від вологи.

При екстремальному навантаженні або при екстремальній температурі з пошкодженої змінної акумуляторної батареї може витікати електроліт. При потрапленні електроліту на шкіру його негайно необхідно змити водою з милом. При потрапленні в очі їх необхідно негайно ретельно промити, щонайменше 10 хвилин, та негайно звернутися до лікаря.

**Попередження!** Для запобігання небезпеці пожежі в результаті короткого замикання, травмам і пошкодженню виробів не занурюйте інструмент, змінний акумулятор або зарядний пристрій у рідину і не допускайте потраплення рідини всередину пристроїв або акумуляторів. Корозійні і струмопровідні рідини, такі як соляний розчин, певні хімікати, вибухові засоби або продукти, що їх містять, можуть призвести до короткого замикання.

## ВИКОРИСТАННЯ ЗА ПРИЗНАЧЕННЯМ

Шліфувальна/полірувальна машина може використовуватися для шліфування та полірування лаків, покриттів, полімерних матеріалів та інших гладких поверхонь.

Дотримуйтеся вказівок виробника комплектуючих.

Електроінструмент призначений лише для сухої обробки.

## ВКАЗІВКИ ЩОДО ЕКСПЛУАТАЦІЇ

Завжди користуйтеся додатковою рукояткою.

Оброблювану заготовку необхідно міцно закріпити, якщо вона не тримається завдяки власній вазі. Ніколи не весті заготовку рукою до диска.

## ОБСЛУГОВУВАННЯ

Завжди підтримувати чистоту вентиляційних отворів.

Використовувати тільки комплектуючі та запчастини Milwaukee. Деталі, заміна яких не описується, замінювати тільки в відділі обслуговування клієнтів Milwaukee (зверніть увагу на брошуру „Гарантія / адреси сервісних центрів“).

У разі необхідності можна запросити креслення з зображенням вузлів машини в перспективному вигляді, для цього потрібно звернутися в ваш відділ обслуговування клієнтів або безпосередньо в Techtronic Industries GmbH, Max-Eyth-Straße 10,

71364 Winnenden, Німеччина, та вказати тип машини та шестизначний номер на фірмовій табличці з даними машини.

## СЕРТИФІКАТ ВІДПОВІДНОСТІ ВИМОГАМ ЄС

Ми заявляємо на власну відповідальність, що виріб, описаний в „Технічних даних“, відповідає всім застосовним положенням директиви 2011/65/EU (RoHS), 2014/30/EU, 2006/42/EG, та наступним гармонізованим нормативним документам:

EN 60745-1:2009+A11:2010  
EN 60745-2-3:2011 + A2:2013  
EN 55014-1:2006+A1:2009+A2:2011  
EN 55014-2:2015  
EN 50581:2012

Winnenden, 2017-11-30



Alexander Krug  
Managing Director



Уповноважений із складання технічної документації.

Techtronic Industries GmbH  
Max-Eyth-Straße 10  
71364 Winnenden  
Germany

## АКУМУЛЯТОРНІ БАТАРЕЇ

Змінну акумуляторну батарею, що не використовувалася тривалий час, перед використанням необхідно підзарядити.

Температура понад 50 °C зменшує потужність змінної акумуляторної батареї. Уникати тривалого нагрівання сонячними променями або системою обігріву.

З'єднувальні контакти зарядного пристрою та змінної акумуляторної батареї повинні бути чистими.

Для забезпечення оптимального строку експлуатації акумуляторні батареї після використання необхідно повністю зарядити.

Для забезпечення максимально можливого терміну експлуатації акумуляторні батареї після зарядки необхідно виймати з зарядного пристрою.

При зберіганні акумуляторної батареї понад 30 днів:

Зберігати акумуляторну батарею при температурі приблизно 27 °C в сухому місці.

Зберігати акумуляторну батарею в стані зарядки приблизно 30-50 %.

Кожні 6 місяців заново заряджати акумуляторну батарею.

## ЗАХИСТ АКУМУЛЯТОРНОЇ БАТАРЕЇ ВІД ПЕРЕВАНТАЖЕННЯ

При перевантаженні акумуляторної батареї внаслідок занадто великого споживання струму, наприклад, при занадто високому крутильному моменту, заклинюванні пилкового диску, раптовій зупинці або короткому замкненню, електроінструмент зупиняється на 2 секунди та самостійно вимикається.

Для повторного увімкнення відпустити кнопку вимикача і знов увімкнути.

При надзвичайному навантаженні акумуляторна батарея може дуже сильно нагрітися. В такому випадку акумуляторна батарея вимикається.

## ТРАНСПОРТУВАННЯ ЛІТІЙ-ІОННИХ АКУМУЛЯТОРНИХ БАТАРЕЙ

Літій-іонні акумуляторні батареї підпадають під законоположення про перевезення небезпечних вантажів.

Транспортування таких акумуляторних батарей повинно відбуватися із дотриманням місцевих, національних та міжнародних приписів та положень.

- споживачі можуть без проблем транспортувати ці акумуляторні батареї по вулиці.
- Комерційне транспортування літій-іонних акумуляторних батарей експедиторськими компаніями підпадає під положення про транспортування небезпечних вантажів. Підготовку до відправлення та транспортування можуть здійснювати виключно

особи, які пройшли відповідне навчання. Весь процес повинні контролювати кваліфіковані фахівці.

При транспортуванні акумуляторних батарей необхідно дотримуватись зазначених далі пунктів:

- Переконайтеся в тому, що контакти захищені та ізольовані, щоб запобігти короткому замиканню.
- Слідкуйте за тим, щоб акумуляторна батарея не переміщувалася всередині упаковки.
- Пошкоджені акумуляторні батареї, або акумуляторні батареї, що потекли, не можна транспортувати.

Для отримання подальших вказівок звертайтеся до своєї експедиторської компанії.

## СИМВОЛИ



УВАГА! ПОПЕРЕДЖЕННЯ! НЕБЕЗПЕЧНО!



Перед будь-якими роботами на машині витягнути штекер із штепсельної розетки.



Уважно прочитайте інструкцію з експлуатації перед введенням приладу в дію.



Під час роботи з машиною завжди носити захисні окуляри.



Носити захисні рукавиці!



Електроприлади, батареї/акумулятори заборонено утилізувати разом з побутовим сміттям.

Електричні прилади і акумулятори слід збирати окремо і здавати в спеціалізовану компанію для утилізації відповідно до норм охорони довкілля. Зверніться до місцевих органів або до вашого дилера, щоб отримати адреси пунктів вторинної переробки та пунктів прийому.



Знак CE

ØPmax = 76 mm

Максимальна продуктивність полірування

ØSmax = 51 mm

Максимальна продуктивність шліфування



TR 066

Національний знак відповідності для України



Знак відповідності для Європи та Азії EurAsian

يجب إعادة شحن البطارية غير المستخدمة لفترة قبل الاستخدام.  
تقلل درجات الحرارة التي تتجاوز 50° سيلزيوس (122° فهرنهايت) من أداء البطارية. تجنب التعرض الزائد للحرارة أو أشعة الشمس (خطر التسخين)..  
يجب الحفاظ على محتويات الشواحن و البطاريات نظيفة.  
للحصول على فترة استخدام مثالية، يجب شحن البطاريات تماماً، بعد الاستخدام.  
للحصول على أطول عمر ممكن للبطارية، انزع البطارية من الشاحن بمجرد شحنها تماماً.

لتخزين البطارية أكثر من 30 يوم:  
خزن البطارية بحيث تكون درجة الحرارة أقل من 27° سيلزيوس وبعيدا عن أي رطوبة

خزن البطارية مشحونة بنسبة تتراوح بين 30-50 %  
اشحن البطارية كالمعتاد، وذلك كل ستة أشهر من التخزين.

#### حماية البطارية

في المواقف التي يكون فيها عزم الدوران عالي بشدة، وإعاقة الحركة والتباطؤ والقصور في الدائرة الكهربائية الذي ينتج عنه سحب لعدد كبير من التيار الكهربائي، ستهتز الآلة لمدة 2 ثانية ثم تتوقف عن العمل.

لإعادة الضبط حرر الزناد.  
في الظروف القصوى للعمل، قد ترتفع درجة حرارة البطارية الداخلية بشدة. إذا ما حدث ذلك، ستتوقف البطارية عن العمل.

#### نقل بطاريات الليثيوم

- تخضع بطاريات الليثيوم أبون لشروط قوانين نقل السلع الخطرة.
- ويجب نقل هذه البطاريات وفقاً للأحكام والقوانين المحلية والوطنية والدولية.
- يمكن للمستخدم نقل البطاريات برأ دون الخضوع لشروط أخرى.
- يخضع النقل التجاري لبطاريات الليثيوم أبون عن طريق الغير إلى قوانين نقل السلع الخطرة. يتعين أن يقوم أفراد مدربون جيداً بالإعداد لعملية النقل والقيام بها بصحة خبراء مثلهم.
- متى نُقل البطاريات:
- عند التأكد من حماية أطراف توصيل البطارية وعزلها تجنباً لحدوث قصر بالدائرة.
- عند التأكد من حماية حزمة البطارية من الحركة داخل صندوق التعبئة.
- يُرَجى عدم نقل البطاريات التي بها تشققات أو تسربات.
- يُرَجى البحث مع شركة الشحن عن نصيحة أخرى

تنبيه! تحذير! خطر!



افصل دائما القابس عن المقبس قبل تنفيذ أي عمل بالجهاز.



يرجى قراءة التعليمات بعناية قبل بدء تشغيل الجهاز.



ارتد دائماً نظارات الوقاية عند استخدام الجهاز.



ارتد القفازات!



يحظر التخلص من الأجهزة الكهربائية والبطاريات/ البطاريات القابلة للشحن في القمامة المنزلية. يجب جمع الأجهزة الكهربائية والبطاريات القابلة للشحن منفصلة وتسليمها للتخلص منها بشكل لا يضر بالبيئة لدى شركة إعادة استغلال.

الرجاء الاستفسار لدى الهيئات المحلية أو لدى التجار المتخصصين عن مواقع إعادة الاستغلال ومواقع الجمع.

علامة المطابقة الأوروبية



ØPmax = 76 mm

القدرة القصوى للتلميع.

ØSmax = 51 mm

القدرة القصوى للصفرة.

العلامة الوطنية للمطابقة الأوكرانية



علامة المطابقة الأوروبية الآسيوية





البيانات الفنية	
ملصق / صنفرة	
إنتاج عدد	
فولطية البطارية	
الحد الأقصى للسرعة المقدرة	
السرعة المقدرة، الترس الثاني	
قطر قرص التلميع	
قطر قرص الصنفرة	
سن عمود دوران التشغيل	
الوزن وفقا لنهج EPTA رقم 01/2003 (Ah 2.0)	
الوزن وفقا لنهج EPTA رقم 01/2003 (Ah 4.0)	
معلومات الضوضاء/الذبذبات	
القيم التي تم قياسها محددة وفقا للمعايير الأوروبية EN 60745	
مستويات ضوضاء الجهاز، ترجيح أ بشكل نمذجي كالتالي:	
مستوى ضغط الصوت (الارتباب في القياس = 3 ديسيبل (A))	
مستوى شدة الصوت (الارتباب في القياس = 3 ديسيبل (A))	
ارتد وأقيات الأذن!	
قيم الذبذبات الإجمالي (مجموع الكميات الموجهة في المحاور الثلاثة) محددة وفقا للمعايير الأوروبية EN 60745.	
التلميع	
قيمة انبعاث الذبذبات (a <sub>h</sub> )	
الارتباب في القياس	
الصنفرة	
قيمة انبعاث الذبذبات (a <sub>h</sub> )	
الارتباب في القياس	

68,24 dB(A)  
79,20 dB(A)

m/s<sup>2</sup> 2,95  
m/s<sup>2</sup> 1,83

m/s<sup>2</sup> 2,3  
m/s<sup>2</sup> 1,5

4477 93 03...  
...000001-999999

V 12

min<sup>-1</sup> 0-2800

min<sup>-1</sup> 0-8300

mm 76

mm 51

M9x0,75

kg 1,0

kg 1,2

## M12 BPS

## تحذير!

تم قياس مستوى انبعاث الذبذبات الموجود بوثيقة المعلومات هذه وفقا للاختبار القياسي وفقا للمعايير الأوروبية EN 60745 ويمكن استخدامه لمقارنة جهاز بغيره. كما يمكن استخدامه لعرض تقييم تمهيدي.

يمثل مستوى انبعاث الذبذبات المعلن عنه تطبيقات الجهاز الرئيسية. بالرغم من ذلك، فإنه إذا ما تم استخدام الجهاز لتطبيقات مختلفة، بملحقات مختلفة أو لم يتم المحافظة عليه، فقد يختلف انبعاث الذبذبات. قد يزيد ذلك بصورة كبيرة من مستوى التعرض للذبذبات طوال فترة العمل الإجمالية.

يجب الوضع في الاعتبار عند تقدير مستوى التعرض للذبذبات مرات إيقاف الجهاز أو تشغيله لكن دون استخدامه في القيام بمهمة. فقد يقلل ذلك بصورة كبيرة من مستوى التعرض للذبذبات طوال فترة العمل الإجمالية.

تعرف على معايير السلامة الإضافية لحماية المشغل من آثار الذبذبات مثل: صيانة الجهاز والملحقات، الحفاظ على دهاء الأيدي، وتنظيم نماذج العمل.

## تحذير!

اقرأ جميع تحذيرات السلامة وجميع التعليمات، بما فيها.

قد يؤدي الفشل في مراعاة التحذيرات والتعليمات إلى التعرض للإصابة بصدمة

كهربية أو الحريق و/أو إصابة خطيرة.

احتفظ بجميع التنبيهات والتعليمات للرجوع إليها مستقبلا.

## تحذيرات السلامة الخاصة بالملصق/الصنفرة

تحذيرات السلامة الشائعة للتلميع والصنفرة:

(أ) تم تصميم هذه الآلة الكهربائية لتعمل كصنفرة أو ملصق. اقرأ جميع تحذيرات السلامة، والتعليمات، والصور التوضيحية والوصافات المتوفرة مع هذه الأداة. قد يؤدي الفشل في مراعاة التعليمات المدرجة أدناه إلى التعرض للإصابة بصدمة كهربية أو الحريق و/أو إصابة خطيرة.

(ب) لا ينصح بإجراء عمليات مثل الكشط، والجلخ الحاد والعمل باستخدام الفرشاة السلكية باستخدام هذه الآلة الكهربائية. قد تتسبب العمليات التي لم يتم تصميم الآلة الكهربائية لها في مخاطر كما قد تسبب التعرض للإصابة الشخصية.

لا تستخدم الملحقات غير المصممة لهذه الآلة والتي لم يوصى بها المصنع.

نظرا لأنه يمكن تركيب أحد الملحقات بالآلة الكهربائية الخاصة بك، فإنه لا يمكن ضمان التشغيل الآمن.

يتعين أن تساوي السرعة المقدرة لقطع الملحقات على الأقل الحد الأعلى للسرعة المحددة على الآلة الكهربائية.

فقد يؤدي تشغيل الملحقات بسرعة أعلى من السرعة المقدرة لها إلى كسرها أو انفجارتها وتناثر شظاياها.

يتعين أن يكون القطر الخارجي للقطعة الملحقة وسمكها ضمن السعة المصنفة للآلة الخاصة بك.

يؤدي حجم القطعة الملحقة غير المناسب إلى الإي عدم وجود حماية كافية لها إضافة إلى صعوبة التحكم.

قلووظات أجزاء المستلزمات يجب أن تنطبق مع قللووظ محور التخليج. في حالة الأجزاء المستلزمات التي سيتم بها إجراء وصلة اتصال قللووظ، يجب أن يكون التقب

لا تُشغل الآلة أثناء حملها بجانيك.

فقد يؤدي التلامس العرضي للملحقات الدوارة إلى تمزيق الملابس، وسحبها باتجاه جسمك.

نظف فتحات تهوية الآلة دوريا.

ستعمل مروحة المحرك على سحب الغبار إلى داخل المبيت مما يؤدي إلى تراكم برادة المعادن مسببا مخاطر كهربائية.

لا تُشغل الآلة بالقرب من المواد القابلة للاشتعال.

فقد يؤدي الشرر إلى اشعال تلك المواد.

لا تستخدم الملحقات التي تتطلب تبريد باستخدام سائل التبريد.

فقد يؤدي استخدام الماء أو سائل التبريد إلى حدوث صدمة أو صدمة كهربائية.

الارتداد والتحذيرات المتعلقة به

الارتداد هو رد الفعل المفاجي أو إعاقة قرص التدوير أو حشية الدعم أو الفرشاة أو أي ملحقات أخرى. يؤدي الضغط أو إعاقة الحركة إلى التوقف المفاجي للملحقات الدوارة مما يؤدي بدوره إلى فقدان السيطرة على الآلة وانفاجها بالاتجاه المعاكس لحركة الملحقات الدوارة عند إعاقتها.

على سبيل المثال، إذا ما أعيقت حركة العجلة الكاشطة أو تعرضت للضغط بواسطة القطعة التي يتم العمل عليها، فإن حافة القرص الذي يدخل في نقطة الضغط يمكن أن يحفر في سطح المادة مما يجعل القرص يندفع للخارج أو يتحرك خارجا. قد يندفع القرص باتجاه المشغل أو بعيدا عنه، تبعاً لاتجاه حركة القرص في نقطة الضغط. قد تنكسر أقراص الكشط في ظل تلك الظروف.

اعمل على إمساك الآلة الكهربائية بإحكام وظف جسمك وذرأك لمساعدتك على مقاومة قوى الارتداد. استخدم دائما مقياس إضافي، إن وجد، للحصول على أقصى مستوى من التحكم في الارتداد أو رد فعل عزم الدوران عند بدء التشغيل.

يستطيع المشغل التحكم في قوى رد فعل العزم أو الارتداد، إذا ما اتخذ التدابير اللازمة.

لا تضع يدك أبدا بالقرب من الملحقات الدوارة.

فقد ترتد القطعة الملحقة على يدك.

لا تضع جسمك في منطقة حيث يمكن أن تتحرك الآلة إذا ما حدث ارتداد. سيعمل الارتداد على تحريك الآلة بالاتجاه المعاكس لاتجاه حركة العجلة عند نقطة الإعاقة.

توخ الحذر الشديد عند العمل في الزوايا والحواف الحادة وغيرها. حاول تجنب ارتداد أو إعاقة الملحقات.

حتمل مع العمل في الزوايا والحواف الحادة أو الارتداد حدوث إعاقة للقطعة الدوارة مما يسبب فقدان السيطرة والارتداد.

لا تركيب سلسلة منشار أو شفرة تحت الخشب أو شفرة منشار مسننة.

فمثل هذه الشفرات تؤدي إلى حدوث ارتدادات مفاجئة وفقدان السيطرة على الآلة الكهربائية.

تحذيرات السلامة المحددة لعمليات الصقل:

(أ) لا تسمح بدوران أي جزء من قلنسوة الصقل أو أوتارها الملحقة بحرية إذا ما كانت غير ثابتة. قم بتثبي أو قص أي أوتار ملحقة غير ثابتة. من الممكن أن تضر الأوتار الملحقة غير الثابتة والدوارة بصابغيك في قطعة العمل.

تحذيرات السلامة المحددة لعمليات الصنفرة:

لا تقرب في استخدام ورق أسطوانة الصنفرة كبير الحجم.

اتبع تعليمات المصنع، عند اختيار ورق الصنفرة. قد يسبب امتداد ورق الصنفرة الكبير خلف بطانة الصنفرة الإصابة بجروح كما قد يؤدي إلى تشقق أو تمزق الاسطوانة أو تحدد ارتدادا.

إرشادات أمان وعمل إضافية

عند قطع المعادن، يتطاير بعض الشرر. تأكد من عدم تعرض أي شخص للخطر. نظرا لاحتمال التعرض لخطر الحريق، لا يجب وجود أي مواد احتراق بالقرب من (منطقة الشرر المتطاير). لا تستخدم نظام استخلاص الأتربة.

تجنب إصابة الجسم بالشرار المتطاير وغبار التخليج

لا تصل أبدا إلى منطقة الخطر للمسحاح عندما يكون قيد التشغيل.

قم بإيقاف تشغيل الماكينة مباشرة في حالة حدوث اهتزازات شديدة أو غير ذلك من أعطال التشغيل. افحص الماكينة للتعرف على السبب.

لا يجب إزالة الششارة والشتظايا أثناء تشغيل الآلة.

لا تتخلص من البطاريات المستعملة مع النفايات المنزلية أو بحرقها. يقدم موزع ميلوكي خدمة استعادة البطاريات القديمة لحماية البيئة.

لا يتم تخزين البطارية مع الأشياء المعدنية (خطر قصر الدائرة)..

استخدم فقط شواحن System C12 لشحن بطاريات System C12. لا تستخدم بطاريات من أنظمة أخرى.

لا تمق أبدا بفتح قفل الخزان ولا تخزينه إلا في غرف جافة. وحافظ عليها جاف طوال الوقت.

قد يتسرب حامض البطارية من البطاريات التالفة في ظروف الحمل الزائد بدرجة كبيرة أو في درجات الحرارة الشديدة. في حالة ملامسة حامض البطارية اغسل يدك فوراً بالماء والصابون. في حالة ملامسة السائل للعينين اشطفهما جيدا لمدة 10 دقائق على الأقل واطلب العناية الطبية فوراً.

تحذير! لتجنب أخطار الحريق أو الإصابة أو الإضرار بالمنتج التي تنجم عن الماس الكهربائي، لا تعمر الأداة أو البطارية القابلة للاستبدال أو جهاز الشحن في السوائل وأحرص على أن لا تصل السوائل إلى داخل الجهاز والبطارية. السوائل المؤدية للتآكل أو الموصلة للتيار الكهربائي، مثل الماء المالح ومركبات كيميائية معينة ومواد التبييض أو المنتجات التي تشتمل على مواد تبيض، يمكن أن تؤدي إلى حدوث ماس كهربائي.

## شروط الاستخدام المحددة

يمكن استخدام آلة التلميع/ ماكينة الصنفرة لصفرة وتلميع اللك والطلاء والأسطح البلاستيكية وغيرها من الأسطح الملساء.

اتبع دائما تعليمات الشركة المصنعة إذا لم تكن متأكدًا بشأن ما يتعين عليك القيام به مع الماكينة.

الآلة مخصصة فقط للاستخدام الجاف

## تصانح العمل

استخدم دائما المقيض الإضافي.

قطعة التصنيع التي يجب معالجتها يجب أن تكون مثبته، طالما أنها لن تكون ثابتة من خلال وزنها. لا تمسك قطعة التصنيع باليد لمعالجتها بالقرص.

## الصيانة

يجب أن تكون فتحات تهوية الجهاز نظيفة طوال الوقت.

استخدم فقط ملحقات ميلوكي وكذلك قطع غيار ميلوكي. إذا كانت المكونات التي يجب تغييرها غير منكورة، يرجى الاتصال بأحد عملاء صيانة ميلوكي (انظر قائمة عناوين الضمان/الصيانة الخاصة بنا).

عند الحاجة يمكن طلب رمز انفجار الجهاز بعد ذكر طراز الآلة والرقم السداسي المذكور على بطاقة طاقة الآلة لدى جهة خدمة العملاء أو مباشرة لدى شركة

Technronic Industries GmbH, Max-Eyth-Straße 10, 71364 Winnenden, ألمانيا

## إعلان المطابقة - الاتحاد الأوروبي

بموجب هذا نقر على مسؤوليتنا المنفردة، أن المنتج المذكور الموصوف تحت "البيانات الفنية" يلبي جميع التعليمات الهامة الخاصة بالمعايير 2011/65/EU (RoHS), 2014/30/EU, 2006/42/EG ويتطابق مع وثائق المعايير المتوافقة التالية:

EN 60745-1:2009+A11:2010

EN 60745-2-3:2011 + A2:2013

EN 55014-1:2006+A1:2009+A2:2011

EN 55014-2:2015

EN 50581:2012

Winnenden, 2017-11-30

  
Alexander Krug  
Managing Director  
ممتدة للمطابقة مع الملف الفني  
Technronic Industries GmbH  
Max-Eyth-Straße 10  
Winnenden 71364  
Germany



Copyright 2017  
Techtronic Industries GmbH  
Max-Eyth-Straße 10  
71364 Winnenden  
Germany  
+49 (0) 7195-12-0



(08.17)

**4931 4145 35**